

4V Series 2positions/5ways Solenoid Valve

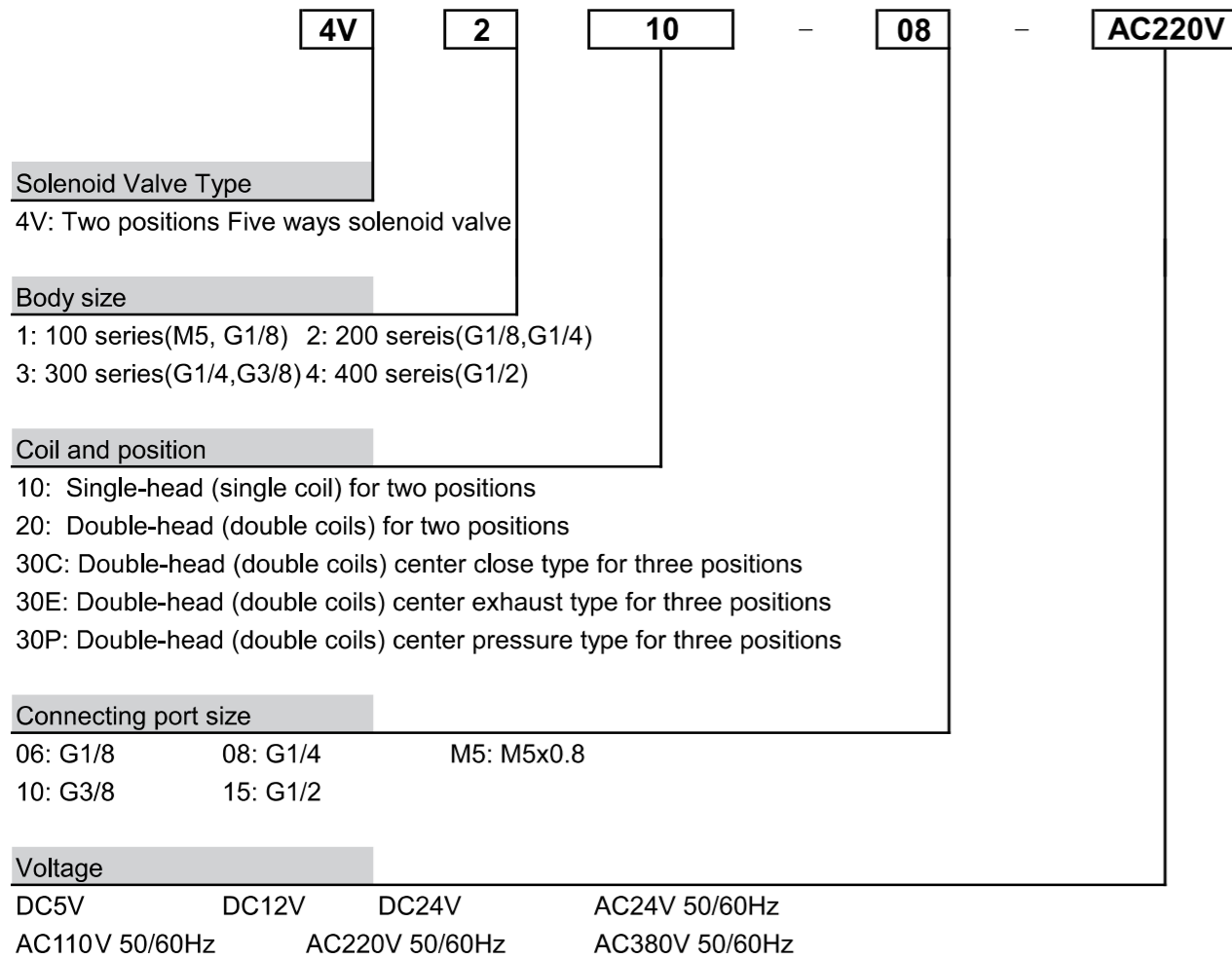


4V210-08

4V220-08

4V230-08

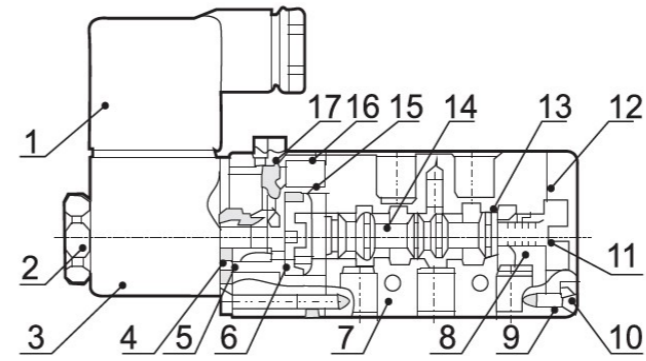
1. Ordering Code :



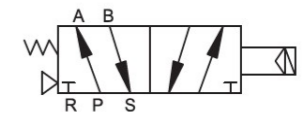
2.Characteristics:

- 1) The protection grade for this series solenoid valve is IP65.
- 2) Different voltages are available for coils.
- 3) Pressure unit: 1kgf/cm²=1bar=0.1MPa=100KPa=14.5psi
- 4) Lead wire type is available, please remind when you order.
- 5) Different thread types can be offered according to customers' requirements, e.g.: PT, NPT etc.

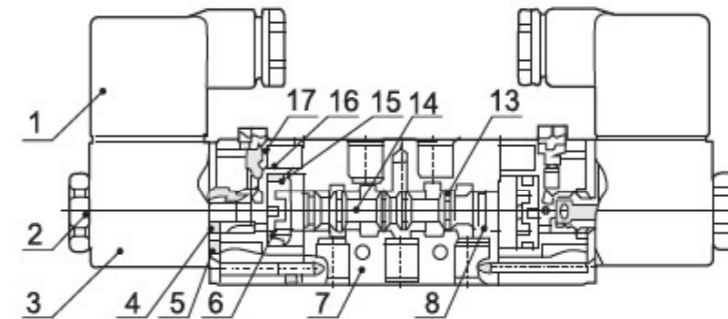
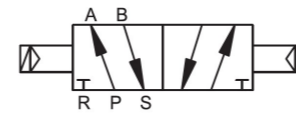
3.Internal Structure:



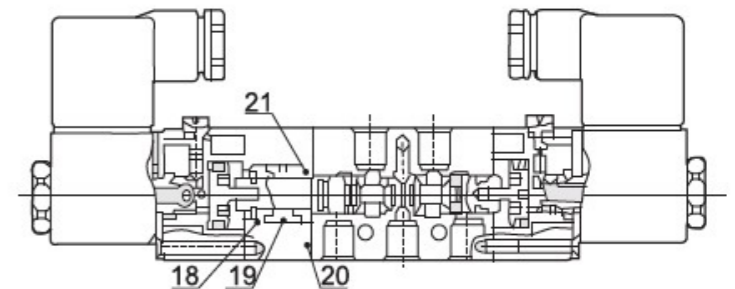
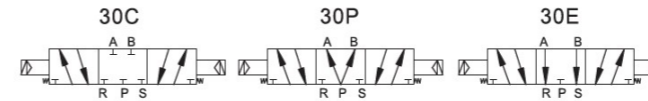
Single-Head Type
(4V110~4V410)



Double-Head Type
(4V120~4V420)



Double-Head Type
(4V130~4V430)



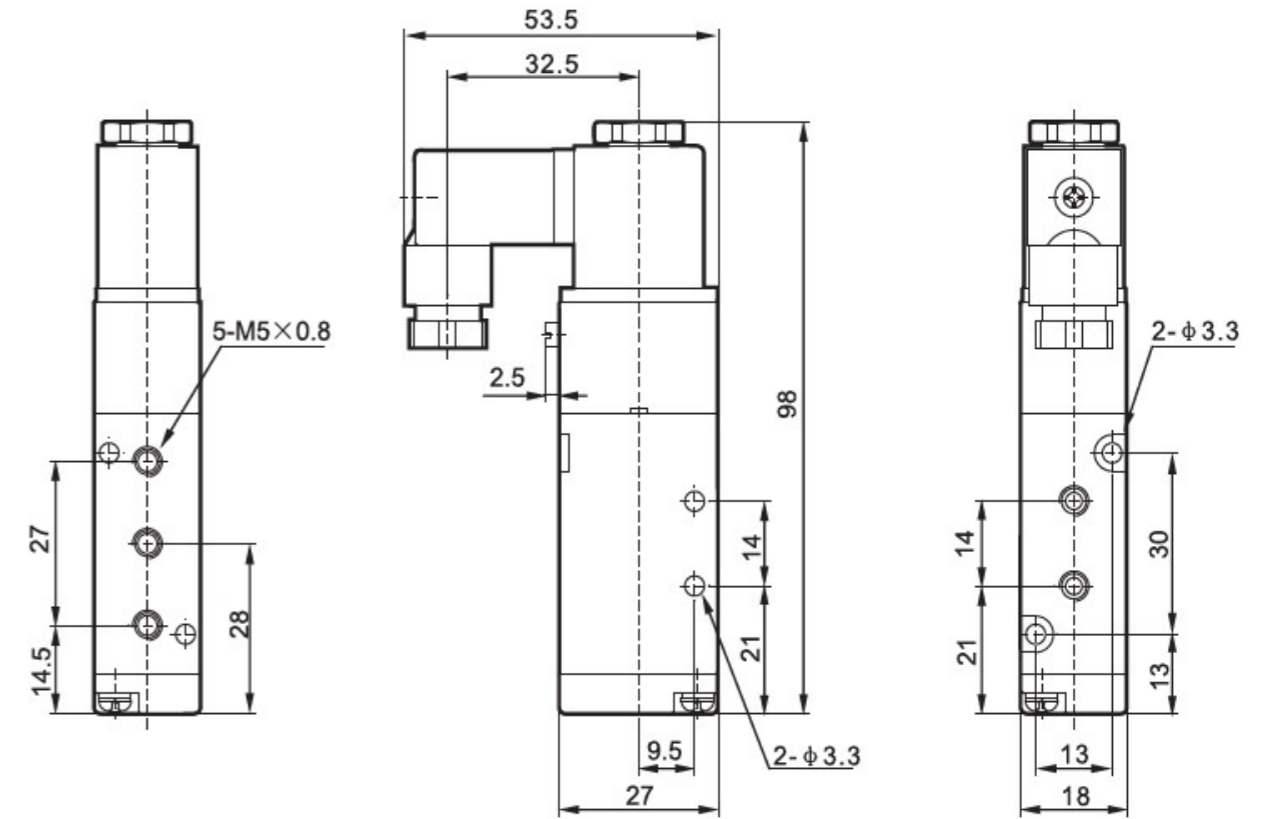
No.:	Designation	No.:	Designation	No.:	Designation
1.	Connector	8.	Wearing	15.	O ring
2.	Nut	9.	End cap	16.	Spring
3.	Coil	10.	Screw	17.	Pin
4.	Active amature	11.	Spring	18.	Spring seat
5.	Steel part	12.	Sealing ring	19.	Spring
6.	Piston	13.	O ring	20.	Side cover
7.	Valve body	14.	Spool	21.	Spring seat

4. Specification:

Model	Acting head	4V100 Series		4V200 Series		4V300 Series		4V400 Series
	Single head	4V110-M5	4V110-06	4V210-06	4V210-08	4V310-08	4V310-10	4V410-15
Double head	4V120-M5	4V120-06	4V220-06	4V220-08	4V320-08	4V320-10	4V420-15	
Center close	4V130C-M5	4V130C-06	4V230C-06	4V230C-08	4V330C-08	4V330C-10	4V430C-15	
Center exhaust	4V130E-M5	4V130E-06	4V230E-06	4V230E-08	4V330E-08	4V330E-10	4V430E-15	
Center pressure	4V130P-M5	4V130P-06	4V230P-06	4V230P-08	4V330P-08	4V330P-10	4V430P-15	
Applicable medium	≤40μ Filtered Air							
Motion pattern	Inner guide type							
Working pressure	0.15~0.8 MPa							
Proof Pressure	1.2MPa							
Temperature range	NBR: 5°C~50°C							
Port size	M5x0.8	G1/8	G1/8	G1/4	G1/4	G3/8	G1/2	
Effective section area (mm ²)	10	12	14	16	25	30	50	
Cv Value	0.56	0.67	0.78	0.89	1.4	1.68	2.79	
Available Voltage	DC5, DC12V,DC24V,AC24V,AC36V,AC110V,AC220V,AC380V							
Power consumption	AC220V:2W, AC110V:2.5W,AC24V:3.5W,DC24V:3W,DC12V:2.5W							
Voltage range	±10%							
Material of body	Aluminum alloy							
Highest action frequency	5 cycles/second							
Shortest excitation time	0.05 s							
Sealing material	NBR or VITON							

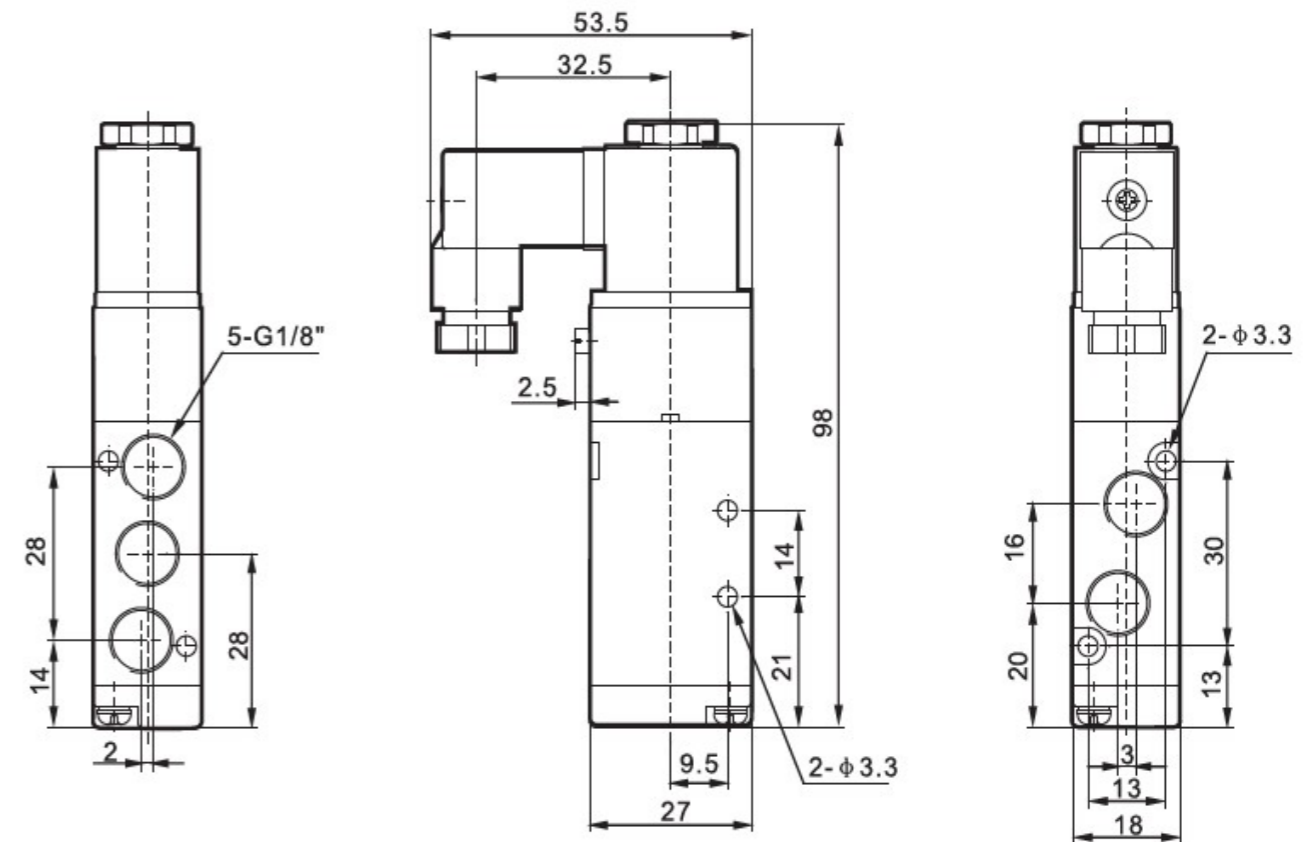
5. Overall and Dimension Sheet:

4V110-M5

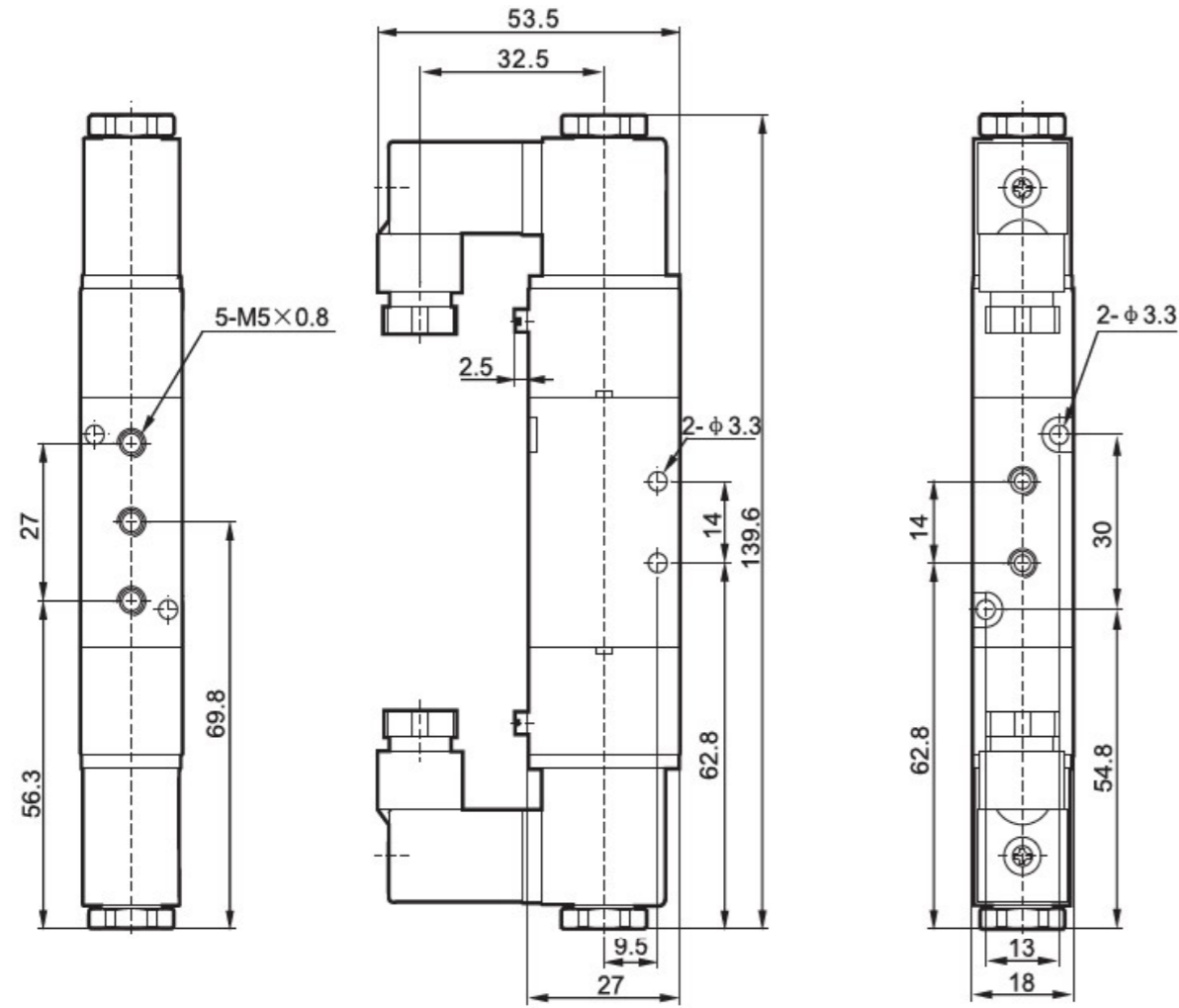


* 1 kgf/cm² = 1 bar = 0.1 Mpa = 100KPa = 14.5psi

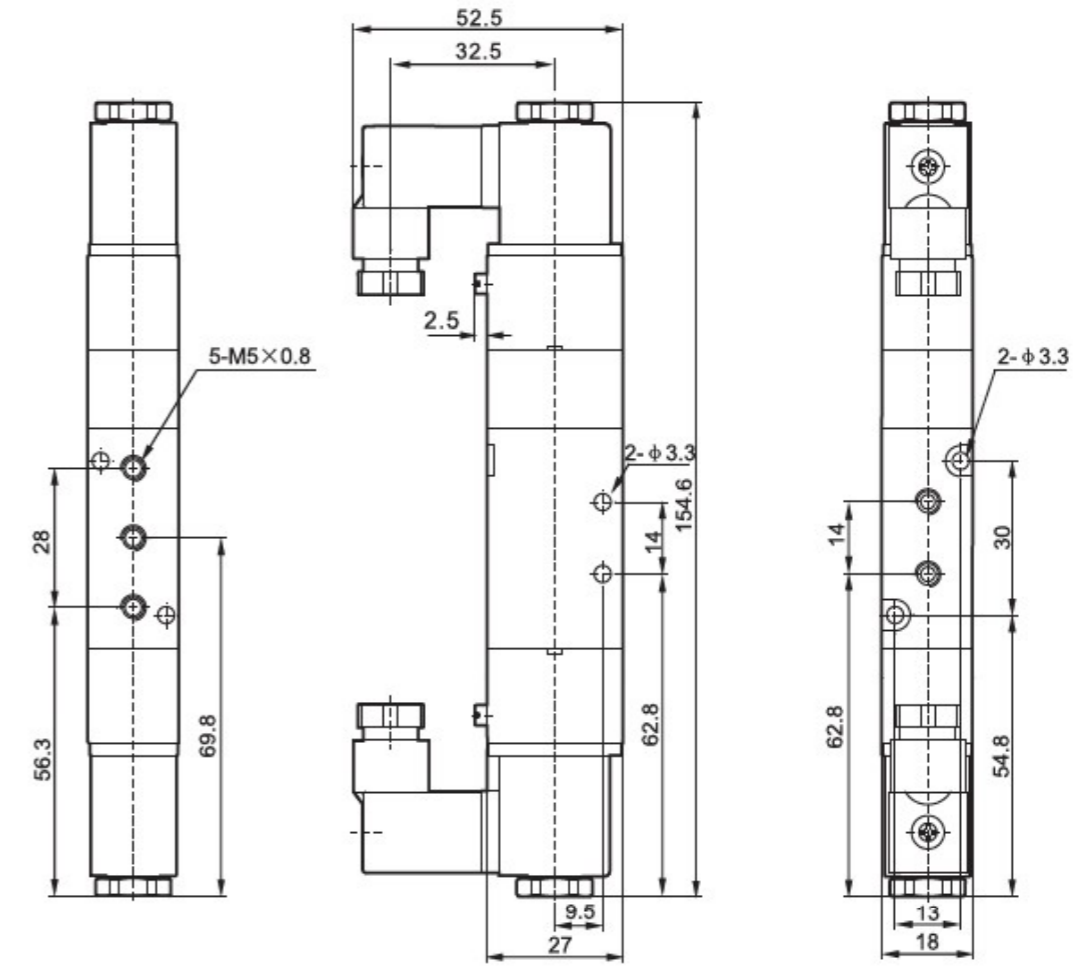
4V110-06



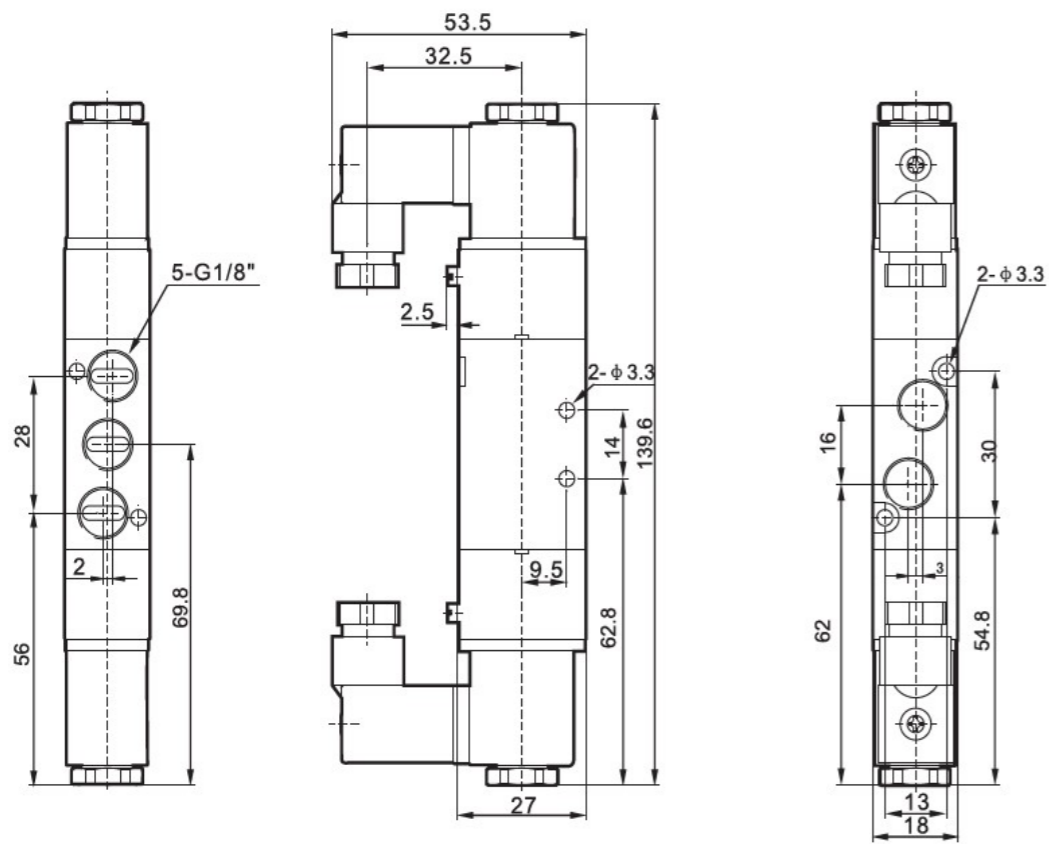
4V120-M5



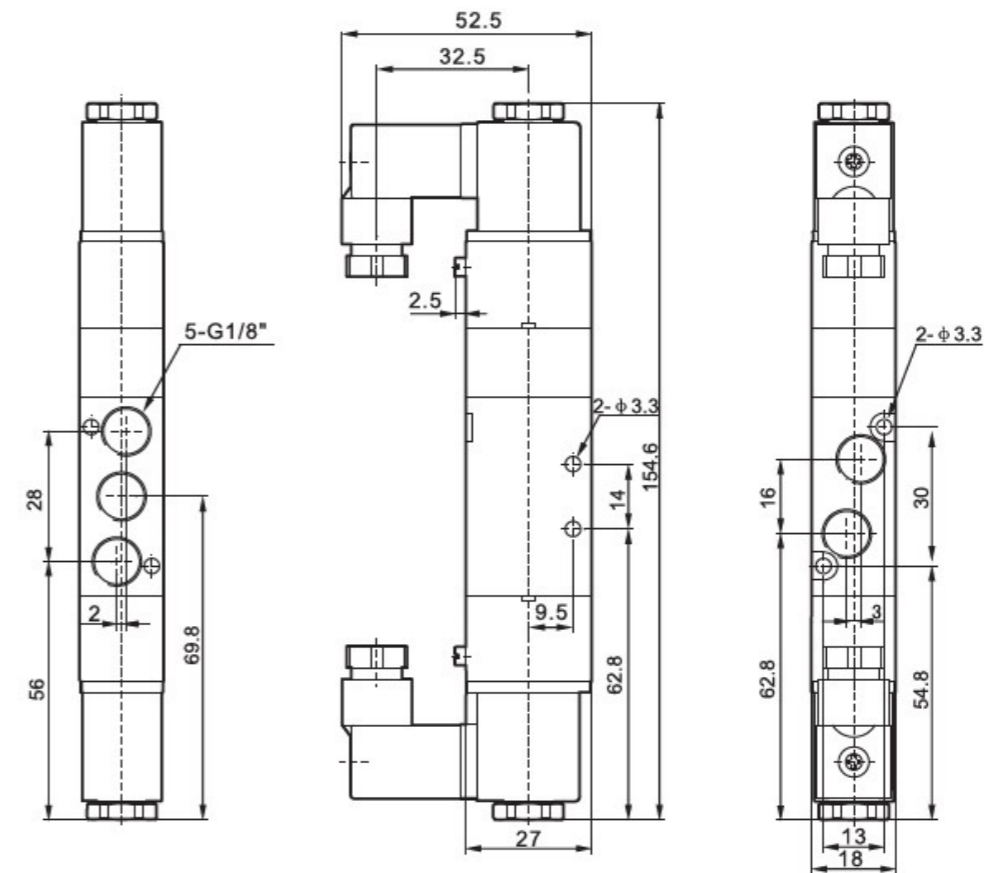
4V130C-M5



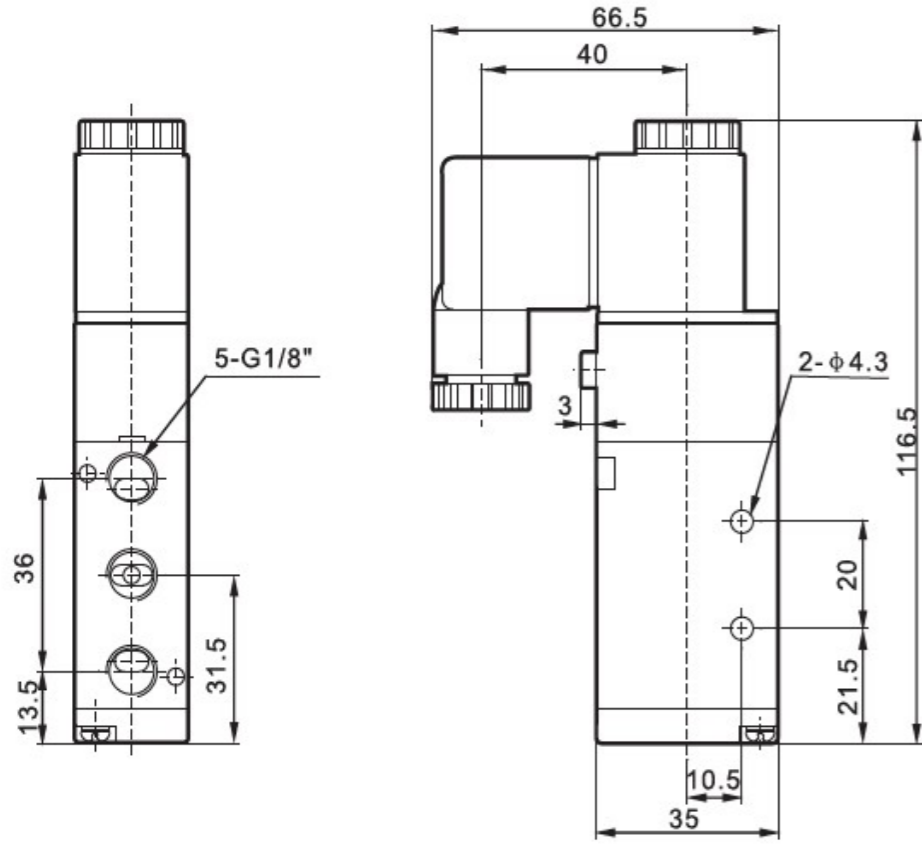
4V120-06



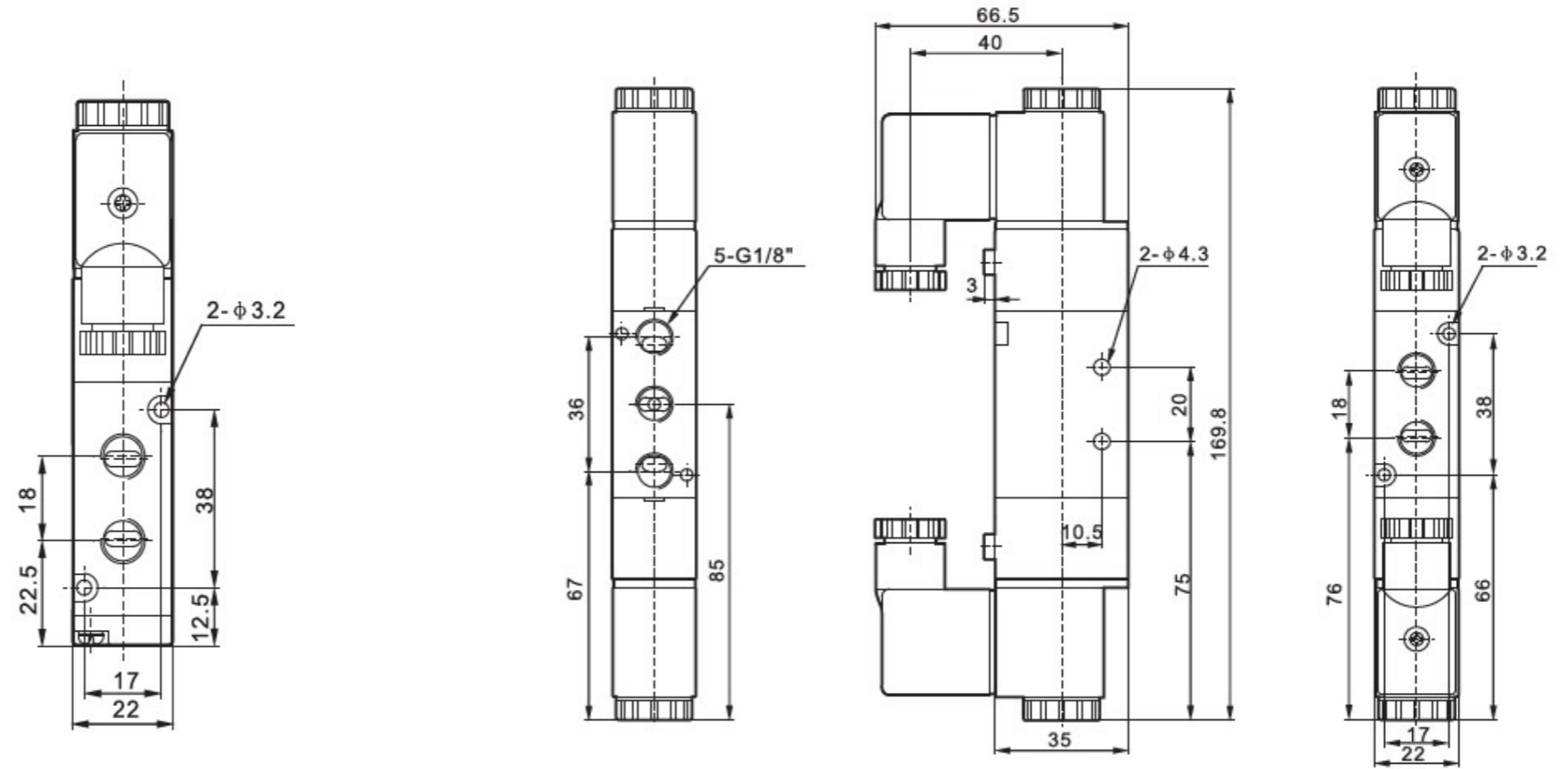
4V130C-06



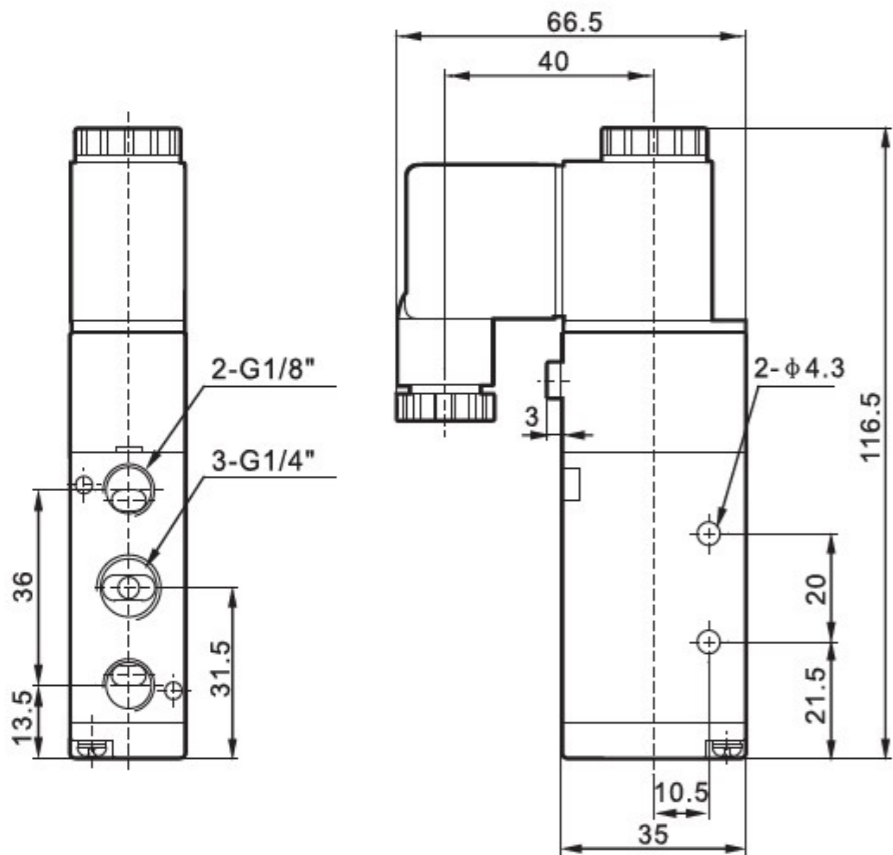
4V210-06



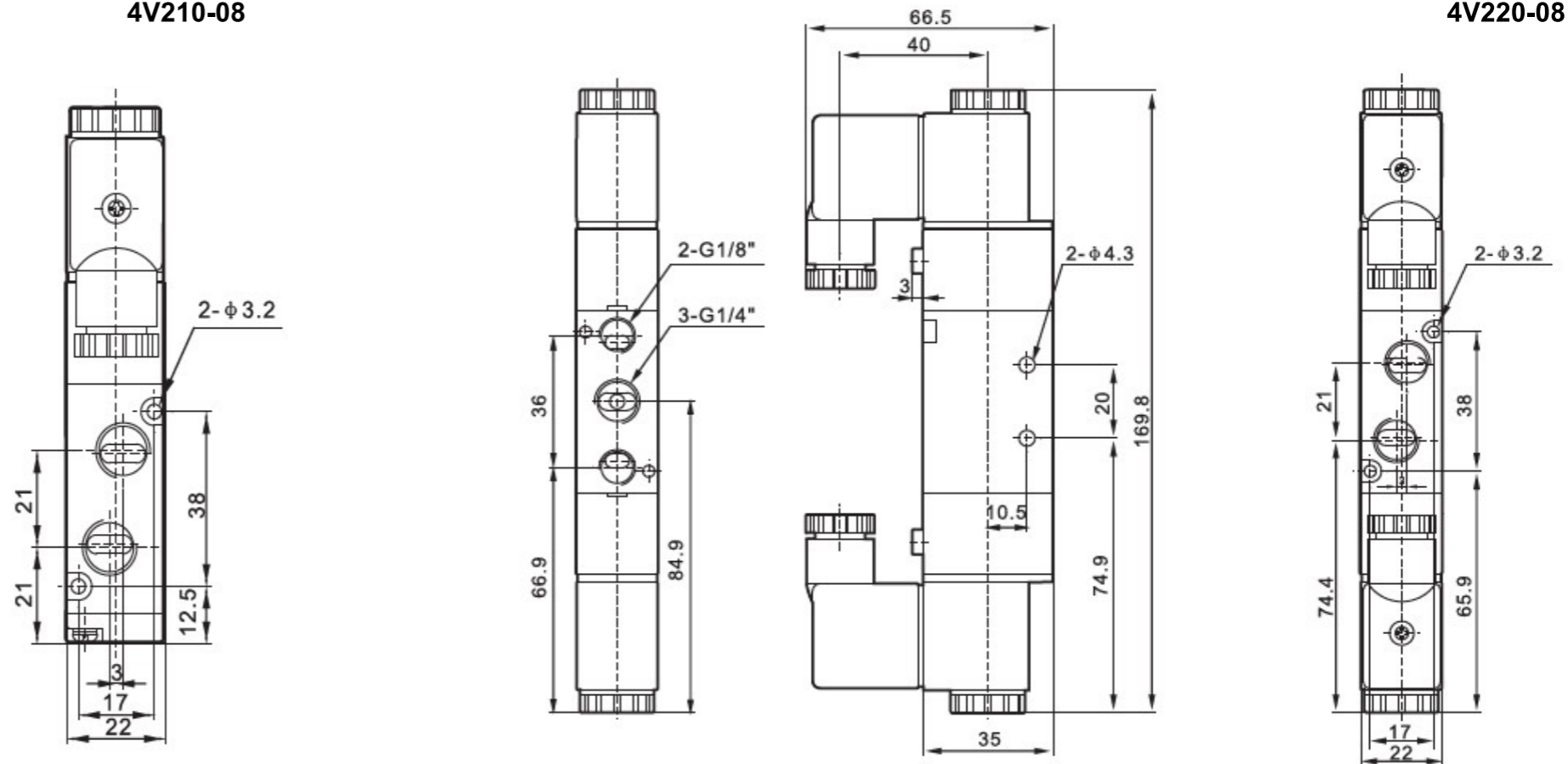
4V220-06



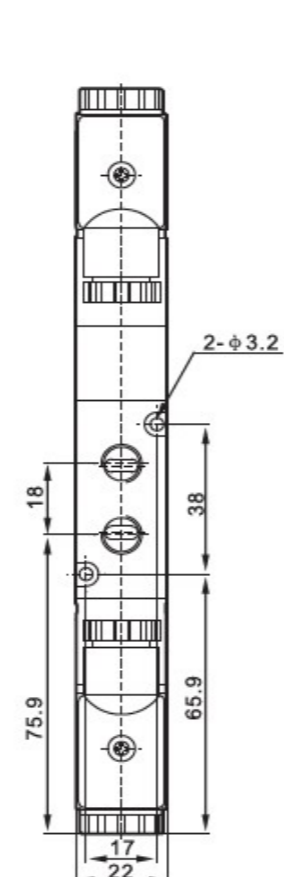
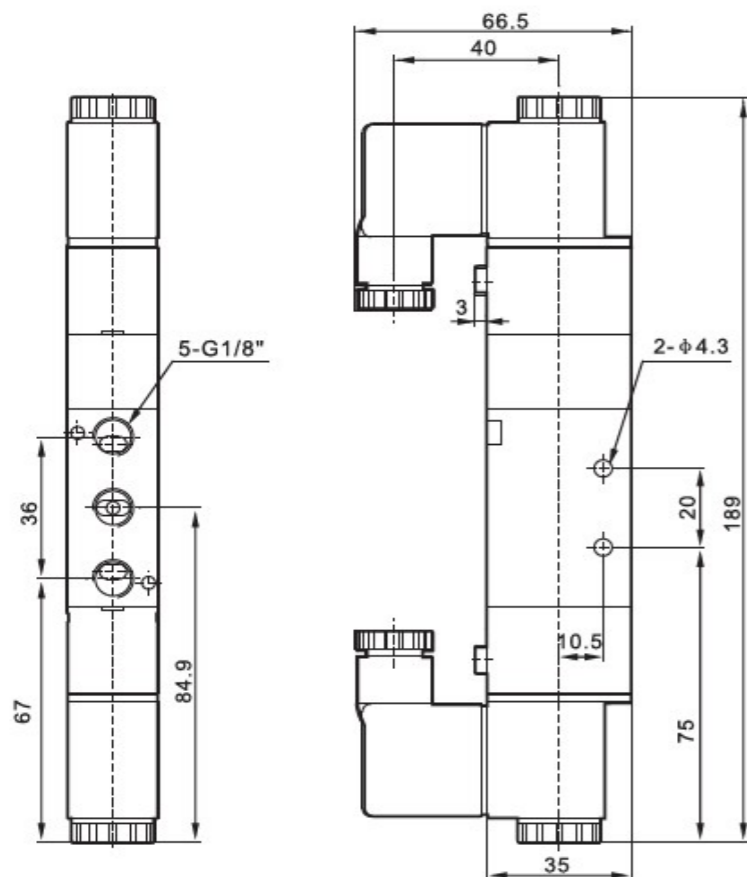
4V210-08



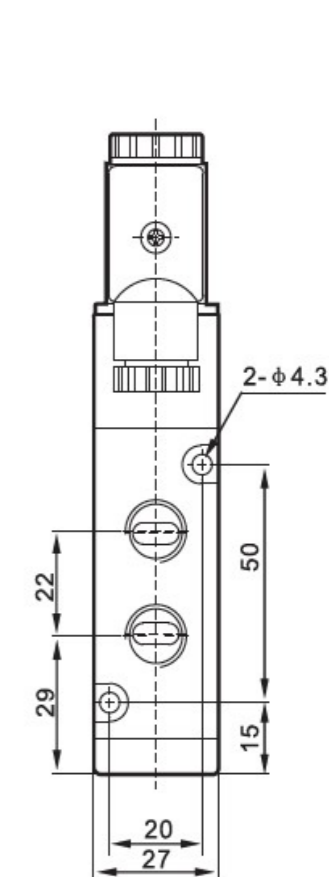
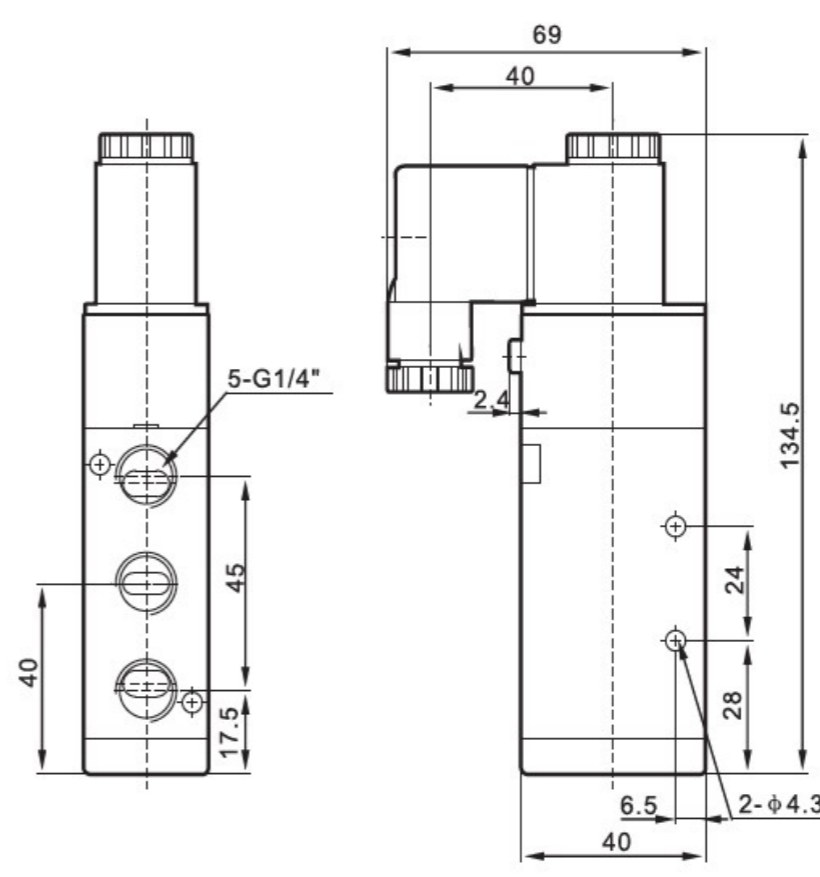
4V220-08



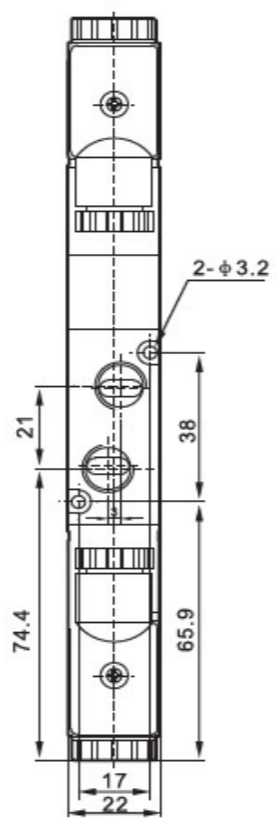
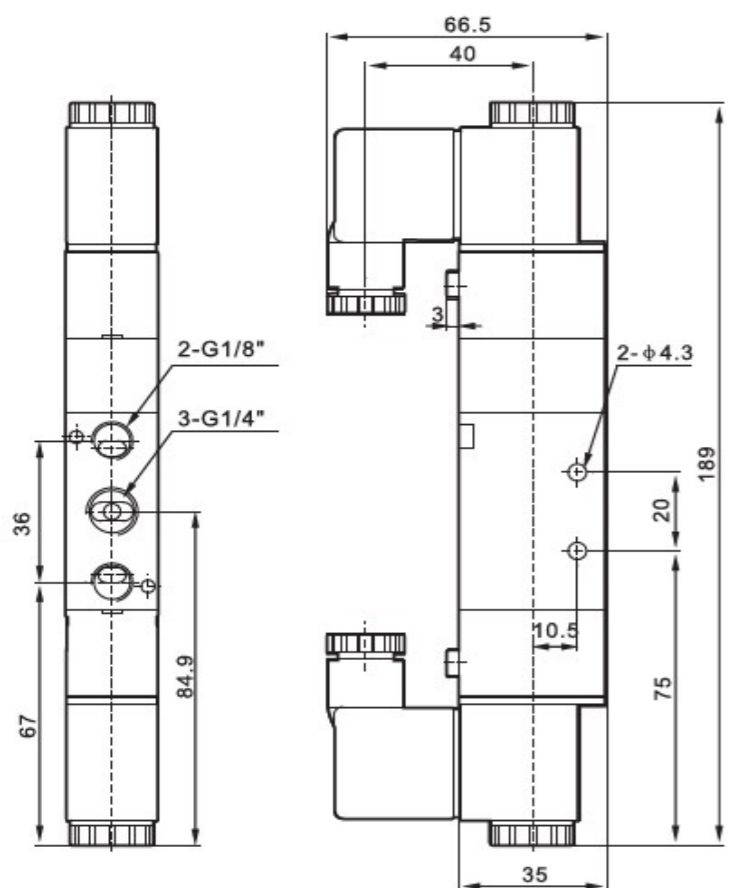
4V230C-06



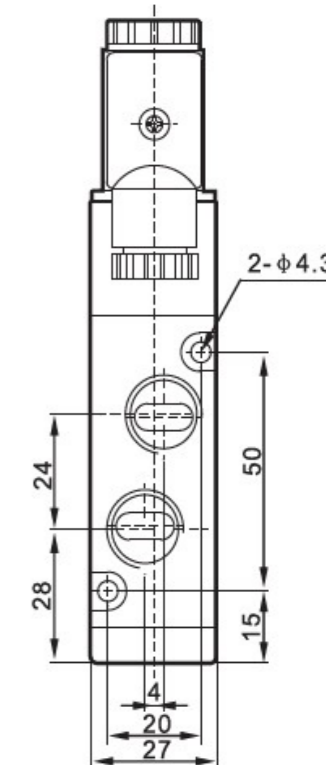
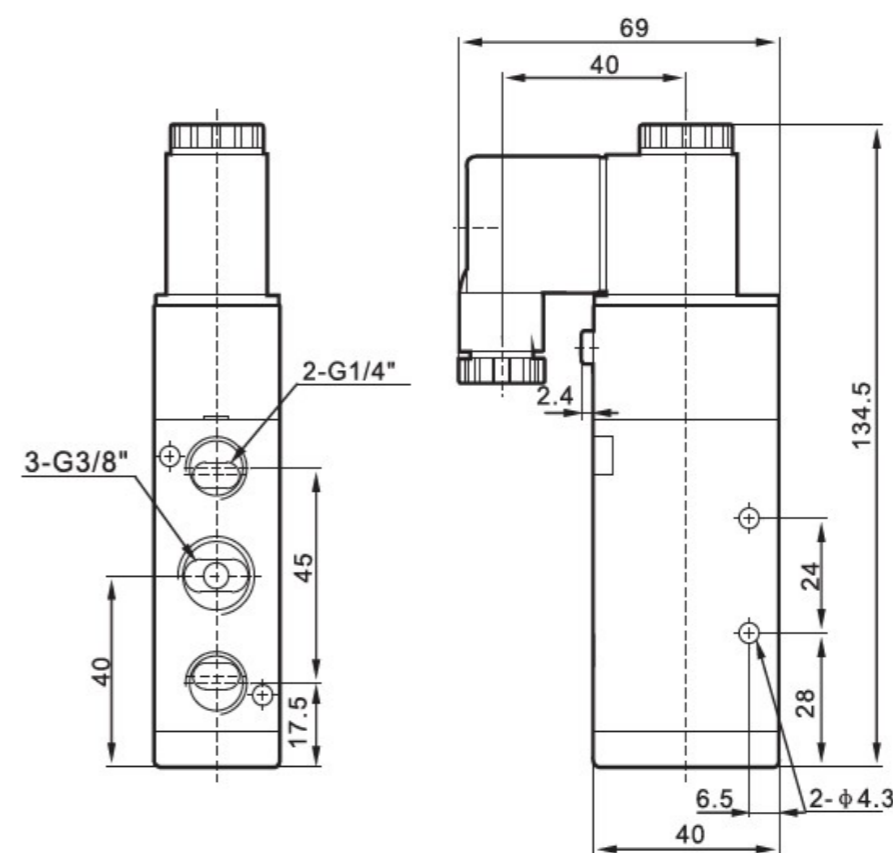
4V310-08



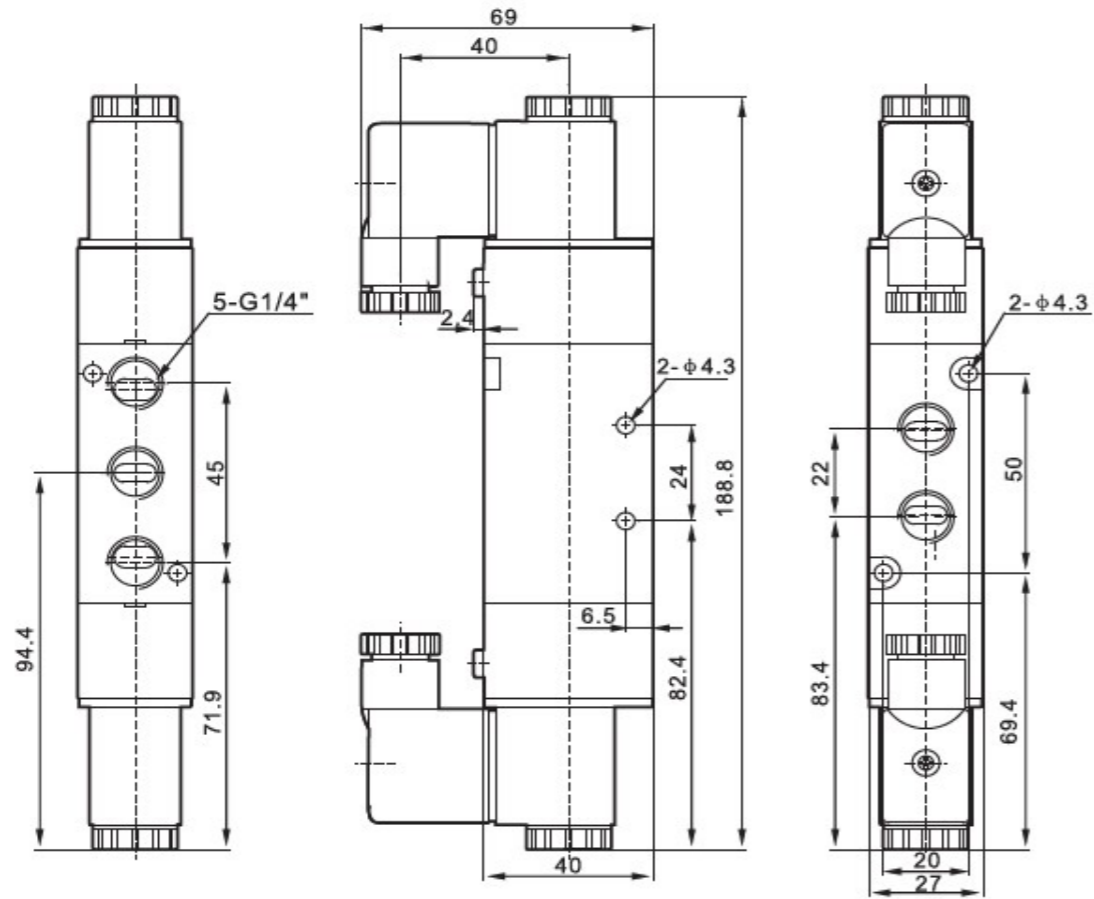
4V230C-08



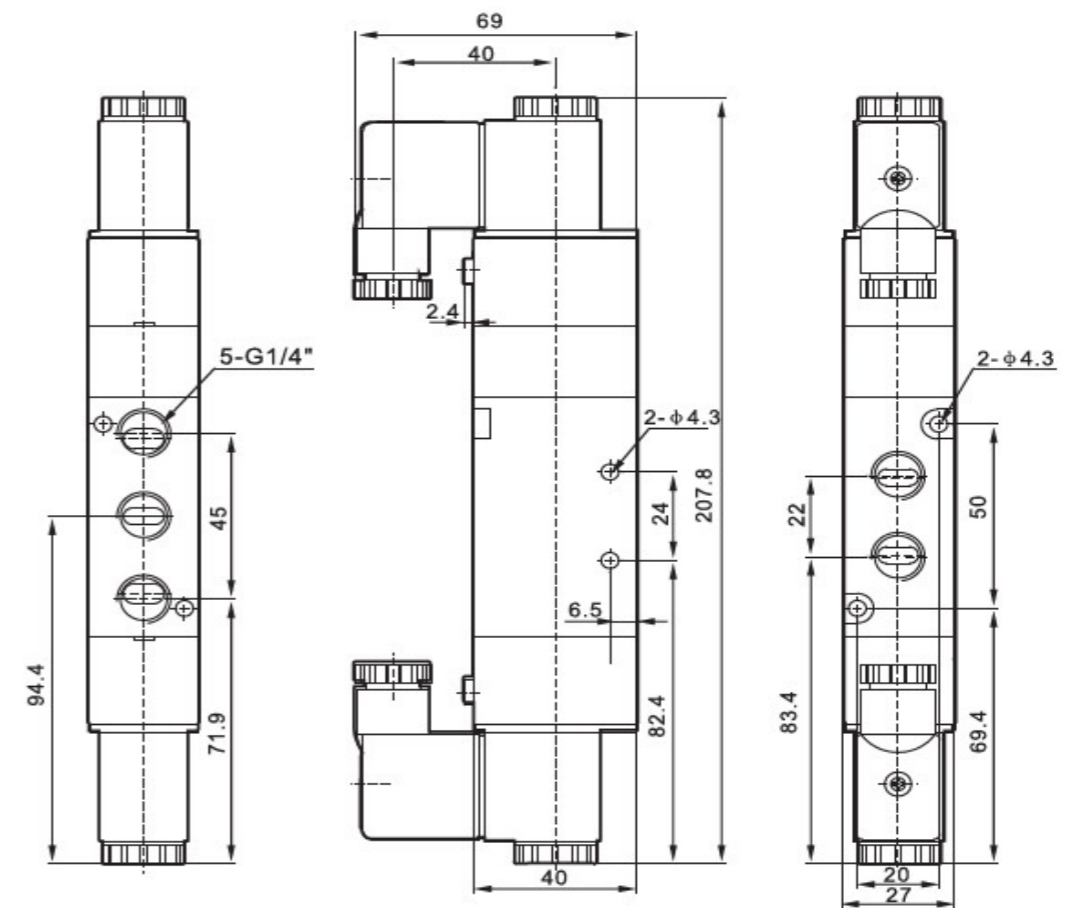
4V310 10



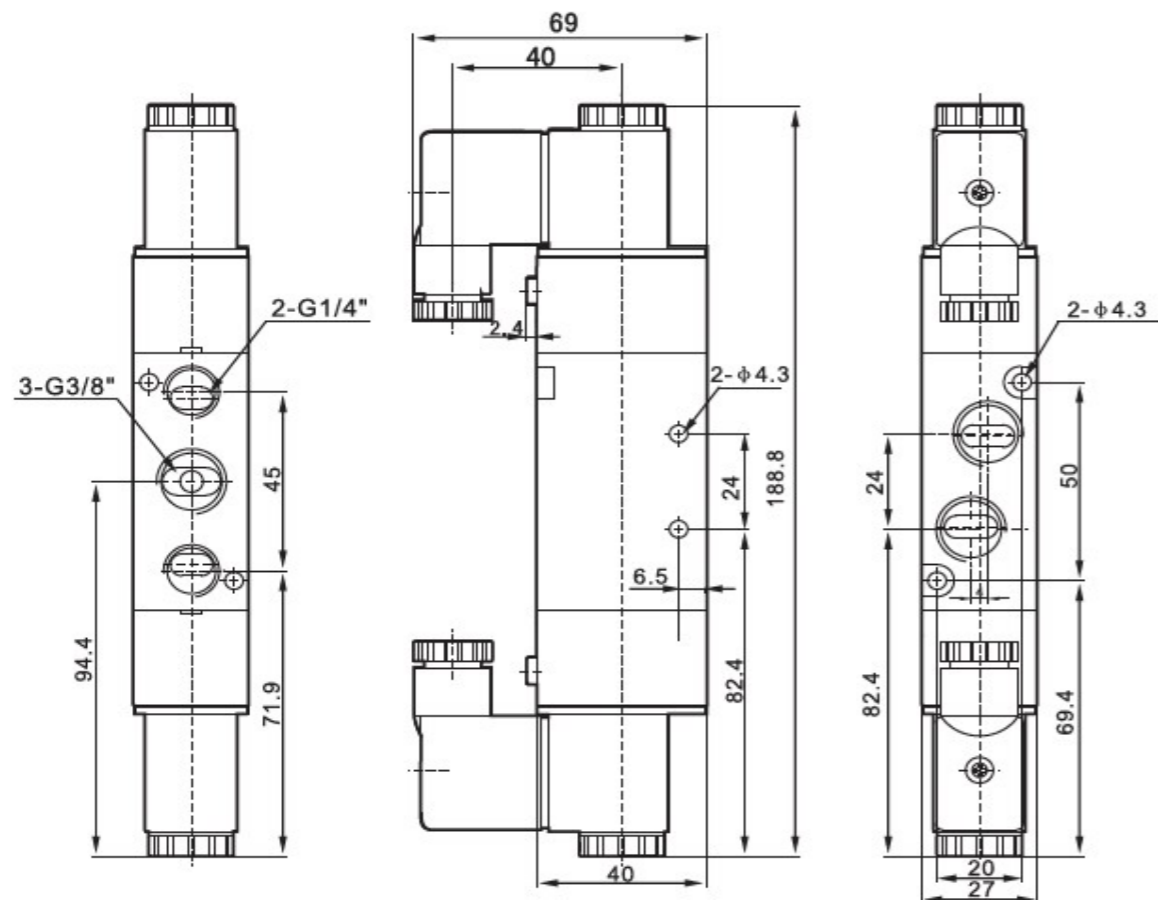
4V320-08



4V330C-08



4V320-10



4V330C-10

