



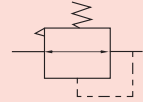
QTY-15

## Regulator Q series

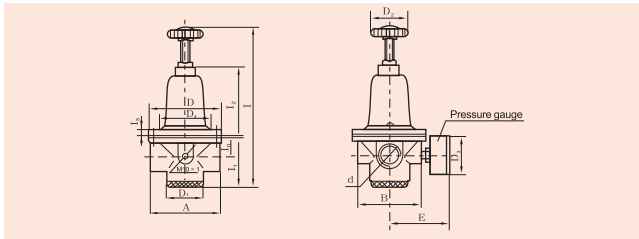
### How to order

**QTY** - **15**  
 Regulator      Port size  
 08: 1/4 "      10: 3/8 "      15: 1/2 "      20: 3/4 "      25: 1 "      40: 1 1/2 "      50: 2 "

Symbol:



### Dimension



### Specification

Model	QTY-08	QTY-10	QTY-15	QTY-20	QTY-25	QTY-40	QTY-50
Port size RC (PT)	1/4 "	3/8 "	1/2 "	3/4 "	1 "	1 1/2 "	2 "
Fluid	Air						
Adjustable Pressure range	0.5-8 kgf/cm <sup>2</sup>						
Max. Adjustable Pressure	9.5kgf/cm <sup>2</sup>						
Proof pressure	15.0kgf/cm <sup>2</sup>						
Ambient & fluid temperature	5-60°C						
Weight (kg)							
Body material	Aluminum alloy						

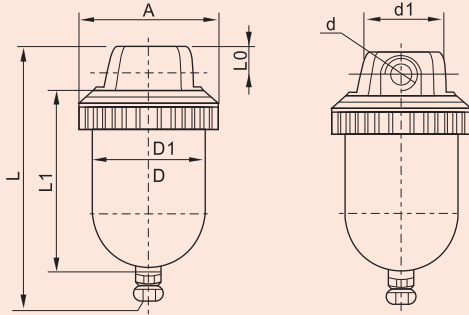
Model	Port size	A	B	D	D1	D2	D3	D4	I0	I1	I2	I3	E	L max
QTY-08	1/4 "	74	64	φ80	φ34	φ60	φ58	φ60	16	52	69	8	80	173
QTY-10	3/8 "	74	64	φ80	φ34	φ60	φ58	φ60	16	52	69	8	80	173
QTY15	3/4 "	74	64	φ80	φ34	φ60	φ58	φ60	21	58	69	8	80	181
QTY20	1/2 "	109	113	φ120	φ60	φ90	φ58	φ90	30	78	108	9	100	250
QTY-25	1 "	109	113	φ120	φ60	φ90	φ58	φ90	30	78	108	9	100	250
QTY-40	1 1/2 "	136	104	φ120	φ60	φ90	φ58	φ90	40	100	108	9	100	250

## Filter Q series



QSL-15

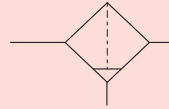
### Dimension



### How to order

<b>QSL</b>	-	<b>15</b>
Filter		Port size 08:1/4 " 10:3/8 " 15:3/4 " 20:1/2 " 25:1 " 40:1 1/2 " 50:2 "

Symbol:



### Specification

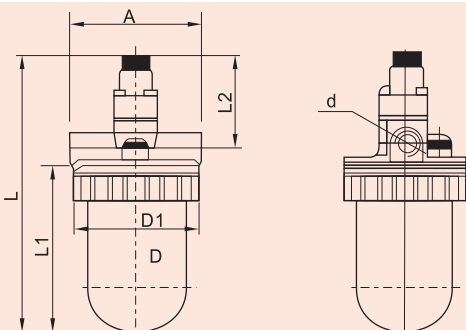
Model	QSL-08	QSL-10	QSL-15	QSL-20	QSL-25	QSL-40	QSL-50
Port size RC (PT)	1/4 "	3/8 "	1/2 "	3/4 "	1 "	1 1/2 "	2 "
Fluid	Air						
Proof pressure	15.0kgf/cm <sup>2</sup>						
Ambient & fluid temperature	5-60°C						
Nominal filtration rate	40 μM						
Drain bowl capacity							
Weight (kg)							
Main parts material	Body	Aluminum alloy					
	Bowl	PC					

Model	Port size	A	D	D1	d	L0	L1	L
QSL-08	1/4 "	90	φ70	φ88	φ34	14	114	160
QSL-10	3/8 "	90	φ70	φ88	φ34	14	114	160
QSL-15	3/4 "	90	φ70	φ88	φ34	14	114	160
QSL-20	1/2 "	115	φ90	φ110	φ60	21	151	215
QSL-25	1 "	115	φ90	φ110	φ60	21	151	215
QSL-40	1 1/2 "	132	φ90	φ130	φ60	32	228	310



QIU-15

### Dimension

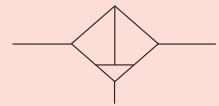


## Lubricator Q series

### How to order

<b>QIU</b>	-	<b>15</b>
Filter		Port size 08:1/4 " 10:3/8 " 15:1/2 " 20:3/4 " 25:1 " 40:1 1/2 " 50:2 "

Symbol:



### Specification

Model	QTY-08	QTY-10	QTY-15	QTY-20	QTY-25	QTY-40	QTY-50
Port size RC (PT)	1/4 "	3/8 "	1/2 "	3/4 "	1 "	1 1/2 "	2 "
Fluid	Air						
Proof pressure	15.0kgf/cm <sup>2</sup>						
Ambient & fluid temperature	5-60°C						
Recommended lubrication	Turbine No.1 oil (ISO VG32)						
Oil bowl capacity							
Weight (kg)							
Main parts material	Body	Aluminum alloy					
	Bowl	PC					

Model	Port size	A	D	D1	d	L0	L1	L
QIU-8	1/4 "	90	φ70	φ88	φ13.5	14	69	200
QIU-10	3/8 "	90	φ70	φ88	φ13.5	14	69	200
QIU-15	1/2 "	90	φ70	φ88	φ13.5	14	69	200
QIU-20	3/4 "	115	φ90	φ110	φ21	21	74	250
QIU-25	1 "	115	φ90	φ110	φ21	21	74	250
QIU-40	1 1/2 "	132	φ90	φ130	φ32	32	105	205