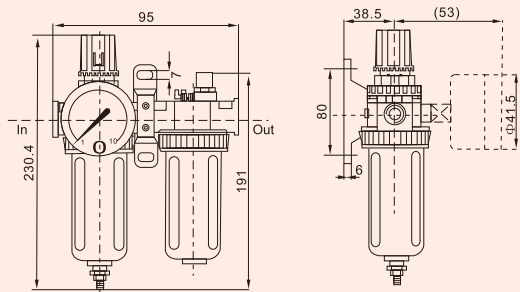




SUNRISE TYPE

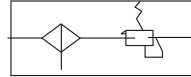
SFC-400

Dimension



F.R.L unit SFC series(two-union)

Symbol:



How to order

SFC - 200

F.R.L unit	Port size
	200:1/4 "
	300:3/8 "
	400:1/2 "

Specification

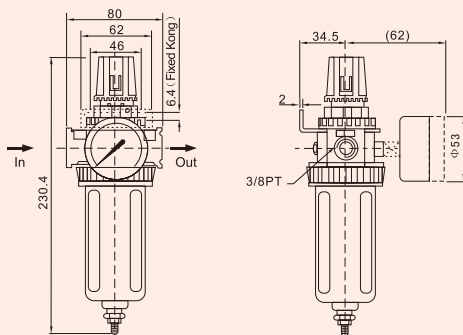
Model	SFC-200	SFC-300	SFC-400
Port size RC (PT)	1/4 "	3/8 "	1/2 "
Fluid	Air		
Proof pressure	1.5Mpa		
Max.operating Pressure	1.0Mpa		
Ambient & fluid temperature	5-60°C		
Nominal filtration rate	40 μ M		
Recommended lubrication	Turbine No.1 oil (ISO VG32)		
Main parts material	Body	Aluminum alloy	
	Bowl	PC	
	Bowl guard	Plastic	



SUNRISE TYPE

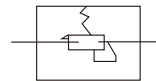
SFR-400

Dimension



Filter regulator SFR series

Symbol:



How to order

SFR - 200

Filter regulator	Port size
	200:1/4 "
	300:3/8 "
	400:1/2 "

Specification

Model	SFR-200	SFR-300	SFR-400
Port size RC (PT)	1/4 "	3/8 "	1/2 "
Fluid	Air		
Proof pressure	1.5Mpa		
Max.operating Pressure	1.0Mpa		
Ambient & fluid temperature	5-60°C		
Nominal filtration rate	40 μ M		
Main parts material	Body	Aluminum alloy	
	Bowl	PC	
	Bowl guard	Plastic	