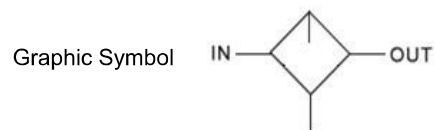


OL Series Lubricator

1.Ordering Code :



OL	-	MINI	-	1/4
↑		↑		↑
Model		Body size		Port size
Lubricator		MINI		1/8: G1/8
		MIDI		1/4: G1/4
		MAXI		3/8: G3/8
				1/2: G1/2
				3/4: G3/4
				1: G1



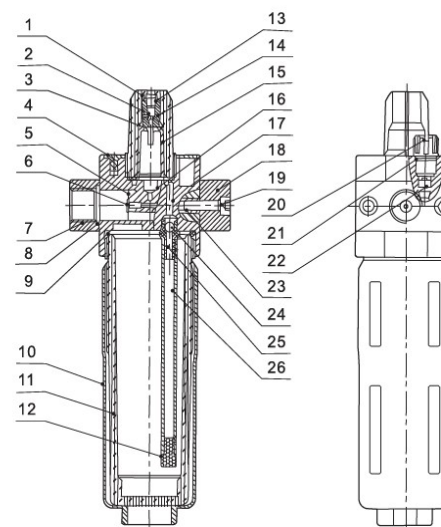
2.Characteristics:

- The proportional lubricator adds a regulated quantity of oil to the filtered air.  
The oil-mist content proportional to the flow and oil can be added during operation.  
The oil drip rate is controlled by the adjustable bolt. Normally, 1 to 12 drops /1000L of the air is sufficient.
- Different thread type can be offered according to customers' requirements, e.g.: PT, NPT etc.

3.Specification:

Boby size	MINI			MIDI			MAXI	
Model	OL-MINI-1/8	OL-MINI-1/4	OL-MINI-3/8	OL-MIDI-3/8	OL-MIDI-1/2	OL-MIDI-3/4	OL-MAXI-3/4	OL-MAXI-1
Applicable medium	Compressed Air							
Mounting type	Pipe mounting or foot mounting							
Assembly position	Vertical ± 5°							
Working pressure range	0~1.6 MPa							
Temperature range	0°C~60°C							
Nominal flow rate(40µm) L/min	1300	2300	2700	5500	6100	6300	8400	9000
Capacity of condensate fluid	22ml			43ml			80ml	
Min. Standard nominal flow rate	3L/min			6L/min			10L/min	
Recommended oil	ISO VG32 or the same grade oil							
Port size	G1/8	G1/4	G3/8	G3/8	G1/2	G3/4	G3/4	G1

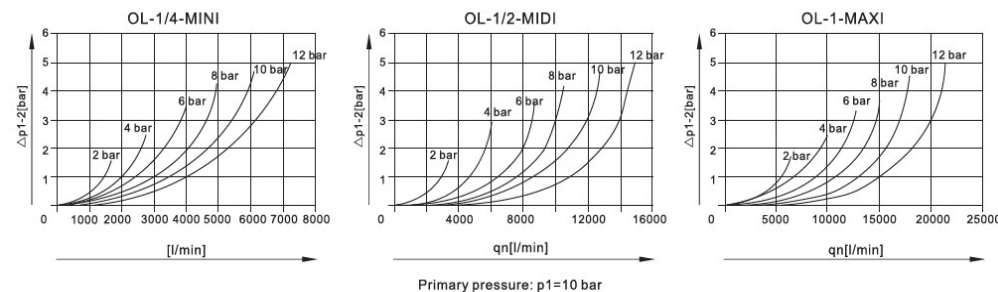
4.Internal Structure:



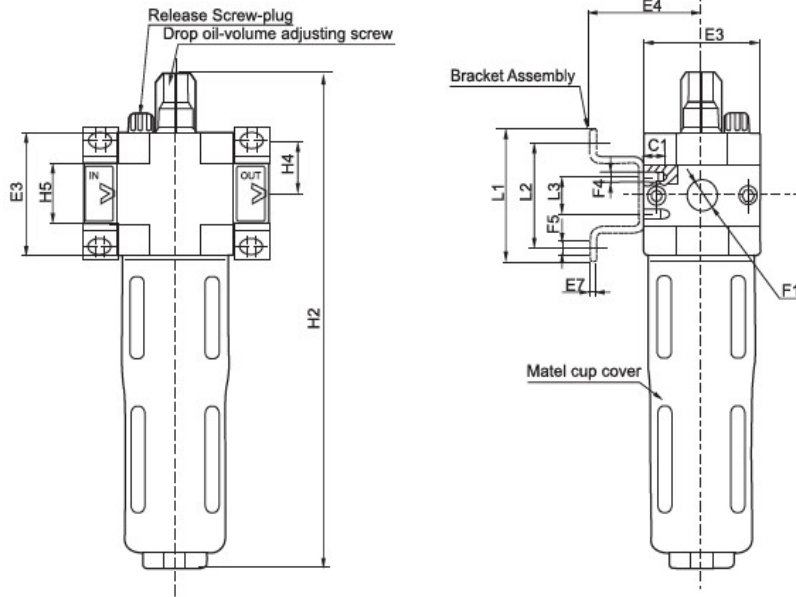
NO	Item	Material
1	Upper glass	PC
2	Adjust screw	Brass
3	O-ring	NBR
4	Ornament cover(circular)	PO
5	Windshield chip	NBR
6	Windshield base	Brass
7	Flange-IN	Zinc alloy
8	O-ring	NBR
9	O-ring	NBR
10	Metal bowl guard	Aluminium alloy
11	Lubricator bowl	PC
12	Oil-filter plup	Brass powder sintered
13	O-ring	NBR
14	Screw base	Brass
15	Oil dropping	PC
16	Seal piece	NBR
17	OL Body	Zinc alloy
18	Flange-OUT	Zinc alloy
19	Allen screw	S35C
20	Bleeder screw	POM
21	O-ring	NBR
22	Valve pin	Brass
23	Double-end bolt	SUS
24	Steel ball	SUS304
25	Oil tube connection	POM
26	Oil tube	PU

5. Flow rate diagram:

Standard flow rate qn as a function of the output pressure p2.



6. Overall and Dimension Sheet:

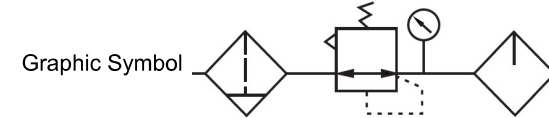


Model	E3	E4	E7	F1	F4	F5Φ	L1	L2	L3	H4	H5
OL-MINI	40	39	2	G1/8 ,G1/4 ,G3/8	M4	4.5	44	35	11	17.5	20
OL-MIDI	55	47	3	G1/8 ,G1/2 ,G3/4	M5	5.5	71	60	22	24.5	32
OL-MAXI	66	53	3	G3/4 ,G1	M5	5.5	71	60	22	24.5	32,40

AC Series F.R.L Combination

1.Ordering Code :

AC	5000	-	10	-	□
↑	↑		↑		↑
Model	Body size		Port size		Blank: Manual
F.R.L Combination	1000 2000 3000 4000 5000		M5: M5X0.8 01: G1/8 02: G1/4 03: G3/8 04: G1/2 06: G3/4 10: G1		D:With Autodrain



2.Characteristics:

- 1) The AC series is consisted of AF,AR and AL , each unit can be ordered separately.
- 2) The AF with water separate cleans the compressed air of fluid oil,condensation and dirt particles.  
For special application,the standard 40µm filter element may easily be replaced by a 25µm or 5µm filter element.
- 3) The AR maintain inputting constant operating pressure despite fluctuation in line pressure&the amount of air consumed.
- 4) The proportional lubricator adds a regulated quantity of oil to the filtered air.  
The oil-mist content proportional to the flow and oil can be added during operation.  
The oil drip rate is controlled by the adjustable bolt.Normally,1to 12 drops /1000L of the air is sufficient.
- 5) Different thread type can be offered according to customers' requirements, e.g.: PT, NPT etc.

3.Specification:

Model	AC2000-01	AC2000-02	AC3000-02	AC3000-03	AC4000-03	AC4000-04	AC4000-06	AC5000-06	AC5000-10
Port size	G1/8	G1/4	G1/4	G3/8	G3/8	G1/2	G3/4	G3/4	G1
Applicable medium	Compressed Air								
Working pressure range	0.05~0.85 MPa								
Proof pressure	1.5MPa								
Temperature range	0°C~60°C								
Nominal flow rate L/min	500	500	2000	2000	4000	4000	4500	5000	5000
Grade of filtration	40µm(in default),25µm,5µm								
Recommended oil use	ISO VG32 or the same grade oil								
Ccontainer Material	Polycarbonate								
Protective cover	Not available			Available					
Drain Function	Differential drain			Differential drain or Automatic drain					