



# PNEUMATIC FITTINGS CATALOG

HERED PNEUMATIC CO.,LTD

[WWW.HERED.COM](http://WWW.HERED.COM)

**HERED®**

## CONTENT

|                                       |       |       |
|---------------------------------------|-------|-------|
| Cautions in Application of Tube Joint | ----- | 01/03 |
| Metric Size-R (PT) Thread Type        | ----- | 04/31 |
| Metric Size-G Thread Type             | ----- | 32/47 |
| Inch Size-NPT Thread Type             | ----- | 48/61 |
| Pneumatic Mini Type Push In Fitting   | ----- | 62/69 |
| Throttle Valve                        | ----- | 70/77 |
| Hand Valves                           | ----- | 78/85 |
| Pneumatic Muffler                     | ----- | 86/89 |

## Cautions in Application of Tube Joint

### Before use, it should make clear following points

#### Warning

1. Except air and water (only special type and custom-design), never attempt to use the tube joint other fluids.
2. The tube joint application is prohibited where spark and fire might be occurred.
3. The tube joint application is prohibited if water temperature is above 60°C because resin might be decomposed and damaged in water under a high temperature.
4. The tube joint is not designed for application where there is static charge.
5. Never apply tube joint with additional external load (bending, twist or pulling), otherwise damage or leakage will be occurred.

#### Caution

1. If you use other supplier tubing, the different tubing tolerance might cause leakage or incorrect connection and disassembly. It must check if tubing OD is in compliance with the specification as listed in following table.

| Size  | Polyurethane Tube | Nylon Tube |
|-------|-------------------|------------|
| Φ4mm  | ± 0.10            | ± 0.08     |
| Φ6mm  | ± 0.12            | ± 0.10     |
| Φ8mm  | ± 0.12            | ± 0.10     |
| Φ10mm | ± 0.15            | ± 0.12     |
| Φ12mm | ± 0.15            | ± 0.12     |
| Φ16mm | ± 0.15            | ± 0.16     |

2. Always check the end of tubing for a right angle cutting and check the external surface of tubing for any damage or scratch. Please refer to following instruction in connection of tubing. When you insert the air tubing into the joint, you will have two-step feeling. Section One is locking claw while Section Two is sealing ring. You must insert the tube into Section Two.

Sleeve is used in tubing connection and disconnection. The sleeve is designed as an oval shape, which is convenient in assembly and disassembly. However, round steeve is available to meet any customer special demand if the customer product has limited space for oval sleeve. After connection of tube joint and tubing, always try to pull tubing and ensure its firm connection.

The minimum insertion length of tubing is as listed, however, the tubing length tolerance as listed is necessary in practice.

| Tube Size   |         | Φ4   | Φ6   | Φ8   | Φ10  | Φ12  | Φ16  |
|-------------|---------|------|------|------|------|------|------|
| Sleeve Size | Metal   | 14.6 | 15.2 | 16.2 | 18.7 | 21.7 | 24.5 |
|             | Plastic | 15.1 | 16   | 18.1 | 20.4 | 23.2 | 24.2 |

3. Cautions during disassembly of tubing Before disconnection of tubing, always check tubing internal pressure for zero.  
For disconnection of tubing, always press sleeve heavily and then pull out tubing. If sleeve is not pressed with enough force, it is hard to pull out tubing and external surface scratch might be resulted by locking claw, which is the cause of air leakage.  
Don't swing or rotate tubing in disconnection otherwise groove might be resulted on the tubing surface by locking claw to prevent tubing from pulling.

4. Always use proper tool to tighten external hexagonal and internal hexagonal parts of the tube joint.

Always apply recommended torque on screws otherwise extra torque might damage thread and cause air leakage while insufficient torque might cause loose screws and air leakage.

After screws are tightened, you may adjust the direction of tubing with most of our tube joint. If it is hard in adjustment, you may apply recommended torque to turn screw to adjust direction of tubing.

#### Recommended Torque for Different Thread Specification

| Thread Type         | Thread Specification | Torque(kgf.cm) |
|---------------------|----------------------|----------------|
| Metric thread       | M3                   | 7              |
|                     | M5                   | 15-19          |
|                     | M6                   | 20-27          |
| R/Rc thread         | R/Rc1/8              | 70-90          |
|                     | R/Rc1/4              | 120-140        |
|                     | R/Rc3/8              | 220-240        |
|                     | R/Rc1/2              | 280-300        |
| UNF(Unified) thread | NO.10-32             |                |
|                     | UNF                  |                |
| NPT thread          | 1/16                 | 70-90          |
|                     | 1/8                  | 70-90          |
|                     | 1/4                  | 120-140        |
|                     | 3/8                  | 220-240        |
|                     | 1/2                  | 280-300        |

## Metric Size-R(PT)Thread Type



**Specification**

|                   |                           |
|-------------------|---------------------------|
| Fluid             | Air, vacuum               |
| Pressure Range    | 0~1.0MPa                  |
| Negative Pressure | -100KPa(10Torr)           |
| Max Pressure      | 1.5MPa                    |
| Temperature Range | 0~60°C                    |
| Applicable Tube   | NYLON(PA)Polyurethane(PU) |

① **Type**

② **Tube Outer Diameter**

|                     | Metric Size |    |    |     |     |     |
|---------------------|-------------|----|----|-----|-----|-----|
| Code                | 04          | 06 | 08 | 10  | 12  | 16  |
| Tube Outer Diameter | Φ4          | Φ6 | Φ8 | Φ10 | Φ12 | Φ16 |

|        | Metric Size |      |      |       |
|--------|-------------|------|------|-------|
| Code   | M5          | M6   | M8   | M10   |
| Thread | M5x0.8      | M6x1 | M8x1 | M10x1 |

**Characteristics**

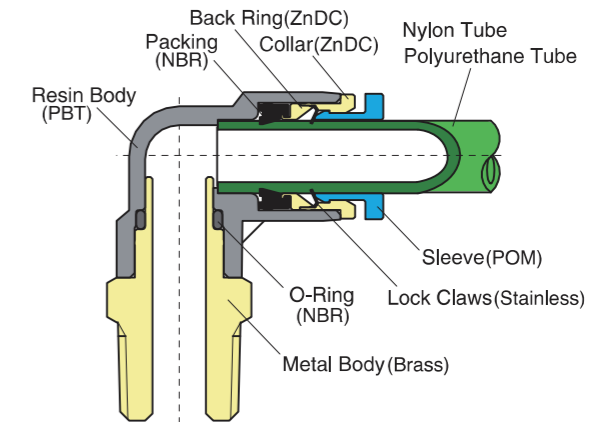
1. Quick installation, simple and flexible, space-saving.
2. The tube fitting comes in a wide variety of models to meet all your needs in pneumatic piping.
3. Even after installation, the direction of tubing can be changed freely.
4. The release ring adopts the ellipse design to make it more convenient and labor-saving for disconnection.
5. All taper threads are pre-coated with Teflon with fine seal performance.
6. All fittings are equipped with the internal hexagonal holes. It is easy for them to be mounted in the narrow places.

**Product Code System**

**PC 08 - 01**

- ①      ②      ③

**Structure Chart**



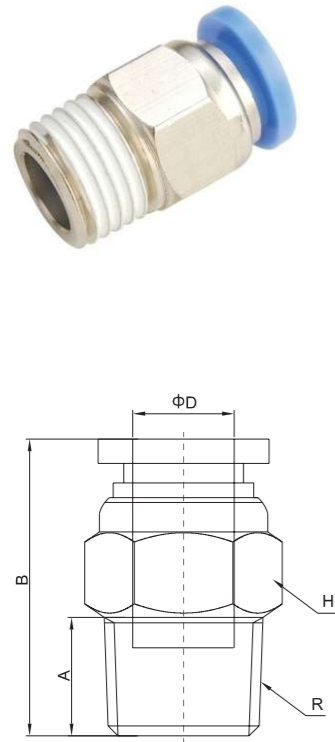
③ **Thread Type and Size**

|        | 55° Taper Pipe Thread |      |      |      |      |
|--------|-----------------------|------|------|------|------|
| Code   | 01                    | 02   | 03   | 04   | 06   |
| Thread | R1/8                  | R1/4 | R3/8 | R1/2 | R3/4 |

| Metric Size |          |         |         |         |
|-------------|----------|---------|---------|---------|
| M12         | M12A     | M14     | M16     | M20     |
| M12x1.25    | M12Ax1.5 | M14x1.5 | M16x1.5 | M20x1.5 |

**PC**

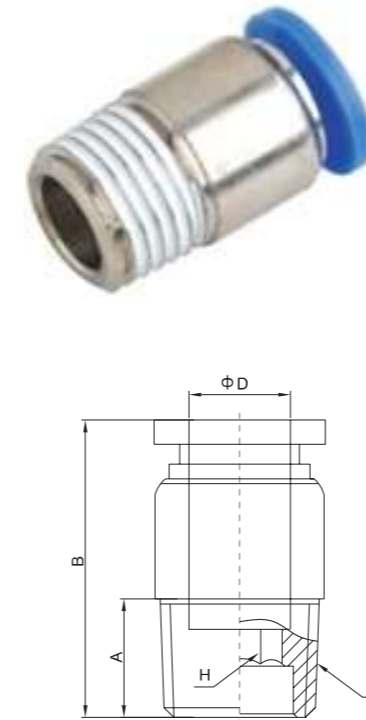
**Male Straight**



| Model    | ΦD   | R    | A   | B    | H  |
|----------|------|------|-----|------|----|
| PC 04-M5 | 4    | M5   | 4   | 19   | 10 |
| PC 04-01 |      | R1/8 | 7   | 19   | 10 |
| PC 04-02 |      | R1/4 | 9.5 | 19   | 14 |
| PC 06-M5 | 6    | M5   | 4   | 20.5 | 12 |
| PC 06-01 |      | R1/8 | 7   | 20   | 12 |
| PC 06-02 |      | R1/4 | 9.5 | 21   | 14 |
| PC 06-03 |      | R3/8 | 10  | 21   | 17 |
| PC 06-04 | R1/2 | 13   | 24  | 21   |    |
| PC 08-01 | 8    | R1/8 | 7   | 24.5 | 14 |
| PC 08-02 |      | R1/4 | 9.5 | 24.5 | 14 |
| PC 08-03 |      | R3/8 | 10  | 22   | 17 |
| PC 08-04 |      | R1/2 | 13  | 25   | 21 |
| PC 10-01 | 10   | R1/8 | 7   | 29   | 17 |
| PC 10-02 |      | R1/4 | 9.5 | 31   | 17 |
| PC 10-03 |      | R3/8 | 10  | 28.5 | 17 |
| PC 10-04 |      | R1/2 | 13  | 26   | 21 |
| PC 12-01 | 12   | R1/8 | 7   | 30.5 | 20 |
| PC 12-02 |      | R1/4 | 9.5 | 32.5 | 20 |
| PC 12-03 |      | R3/8 | 10  | 29   | 20 |
| PC 12-04 |      | R1/2 | 13  | 27.5 | 21 |
| PC 16-02 | 16   | R1/4 | 9.5 | 33.5 | 24 |
| PC 16-03 |      | R3/8 | 10  | 34   | 24 |
| PC 16-04 |      | R1/2 | 13  | 35   | 24 |

**POC**

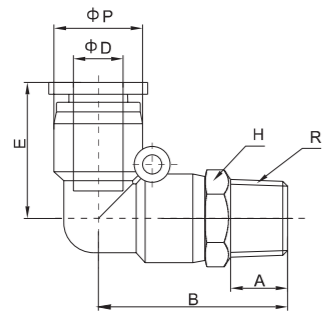
**Hex. Holed Straight**



| Model    | ΦD   | R    | A   | B    | H  |
|----------|------|------|-----|------|----|
| POC04-M5 | 4    | M5   | 4   | 19   | 2  |
| POC04-01 |      | R1/8 | 7   | 19   | 3  |
| POC04-02 |      | R1/4 | 9.5 | 19   | 3  |
| POC06-M5 | 6    | M5   | 4   | 20.5 | 2  |
| POC06-01 |      | R1/8 | 7   | 20   | 4  |
| POC06-02 |      | R1/4 | 9.5 | 21   | 4  |
| POC06-03 |      | R3/8 | 10  | 21   | 4  |
| POC06-04 | R1/2 | 13   | 24  | 4    |    |
| POC08-01 | 8    | R1/8 | 7   | 24.5 | 5  |
| POC08-02 |      | R1/4 | 9.5 | 24.5 | 5  |
| POC08-03 |      | R3/8 | 10  | 22   | 6  |
| POC08-04 |      | R1/2 | 13  | 25   | 6  |
| POC10-01 | 10   | R1/8 | 7   | 29   | 5  |
| POC10-02 |      | R1/4 | 9.5 | 31   | 6  |
| POC10-03 |      | R3/8 | 10  | 28.5 | 8  |
| POC10-04 |      | R1/2 | 13  | 26   | 8  |
| POC12-01 | 12   | R1/8 | 7   | 30.5 | 5  |
| POC12-02 |      | R1/4 | 9.5 | 32.5 | 6  |
| POC12-03 |      | R3/8 | 10  | 29   | 8  |
| POC12-04 |      | R1/2 | 13  | 27.5 | 8  |
| POC16-02 | 16   | R1/4 | 9.5 | 33.5 | 6  |
| POC16-03 |      | R3/8 | 10  | 34   | 8  |
| POC16-04 |      | R1/2 | 13  | 35   | 10 |

**PL**

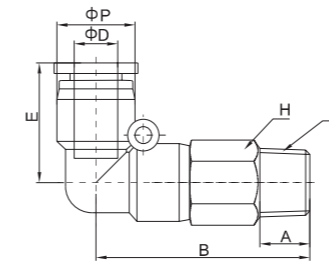
**Male Elbow**



| Model   | ΦD | E    | B    | ΦP   | A    | R    | H  |
|---------|----|------|------|------|------|------|----|
| PL04-M5 | 4  | 18   | 22.2 | 11   | 4    | M5   | 10 |
| PL04-01 |    | 18   | 24.8 | 11   | 7    | R1/8 | 10 |
| PL04-02 |    | 18   | 28.8 | 11   | 9.5  | R1/4 | 14 |
| PL06-M5 | 6  | 19   | 22.5 | 13.4 | 4    | M5   | 12 |
| PL06-01 |    | 19   | 25.2 | 13.4 | 7    | R1/8 | 12 |
| PL06-02 |    | 19   | 28.2 | 13.4 | 9.5  | R1/4 | 14 |
| PL06-03 |    | 19   | 29.2 | 13.4 | 10   | R3/8 | 17 |
| PL06-04 | 19 | 33.7 | 13.4 | 13   | R1/2 | 21   |    |
| PL08-01 | 8  | 23   | 28.5 | 15   | 7    | R1/8 | 14 |
| PL08-02 |    | 23   | 32   | 15   | 9.5  | R1/4 | 14 |
| PL08-03 |    | 23   | 33   | 15   | 10   | R3/8 | 17 |
| PL08-04 |    | 23   | 36   | 15   | 13   | R1/2 | 21 |
| PL10-01 | 10 | 27.5 | 33.3 | 18.8 | 7    | R1/8 | 17 |
| PL10-02 |    | 27.5 | 36.3 | 18.8 | 9.5  | R1/4 | 17 |
| PL10-03 |    | 27.5 | 36.8 | 18.8 | 10   | R3/8 | 17 |
| PL10-04 |    | 27.5 | 40.5 | 18.8 | 13   | R1/2 | 21 |
| PL12-01 | 12 | 29.5 | 36.5 | 21   | 7    | R1/8 | 19 |
| PL12-02 |    | 29.5 | 38.5 | 21   | 9.5  | R1/4 | 19 |
| PL12-03 |    | 29.5 | 39   | 21   | 10   | R3/8 | 19 |
| PL12-04 |    | 29.5 | 44   | 21   | 13   | R1/2 | 21 |
| PL16-02 | 16 | 31.5 | 41   | 26   | 9.5  | R1/4 | 24 |
| PL16-03 |    | 31.5 | 42   | 26   | 10   | R3/8 | 24 |
| PL16-04 |    | 31.5 | 45   | 26   | 13   | R1/2 | 24 |

**PLL**

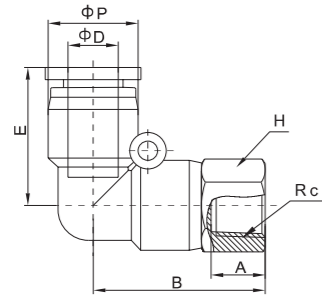
**Male Long Elbow**



| Model    | ΦD | E    | B    | ΦP   | A    | R    | H  |
|----------|----|------|------|------|------|------|----|
| PLL04-M5 | 4  | 18   | 32   | 11   | 4    | M5   | 10 |
| PLL04-01 |    | 18   | 34   | 11   | 7    | R1/8 | 10 |
| PLL04-02 |    | 18   | 37   | 11   | 9.5  | R1/4 | 14 |
| PLL06-M5 | 6  | 19   | 34.5 | 13.4 | 4    | M5   | 12 |
| PLL06-01 |    | 19   | 37.5 | 13.4 | 7    | R1/8 | 12 |
| PLL06-02 |    | 19   | 40   | 13.4 | 9.5  | R1/4 | 14 |
| PLL06-03 |    | 19   | 41.5 | 13.4 | 10   | R3/8 | 17 |
| PLL06-04 | 19 | 45   | 13.4 | 13   | R1/2 | 21   |    |
| PLL08-01 | 8  | 23   | 42.5 | 15   | 7    | R1/8 | 14 |
| PLL08-02 |    | 23   | 44.5 | 15   | 9.5  | R1/4 | 14 |
| PLL08-03 |    | 23   | 46.5 | 15   | 10   | R3/8 | 17 |
| PLL08-04 |    | 23   | 50   | 15   | 13   | R1/2 | 21 |
| PLL10-01 | 10 | 27.5 | 52   | 18.8 | 7    | R1/8 | 17 |
| PLL10-02 |    | 27.5 | 54   | 18.8 | 9.5  | R1/4 | 17 |
| PLL10-03 |    | 27.5 | 55   | 18.8 | 10   | R3/8 | 17 |
| PLL10-04 |    | 27.5 | 58.5 | 18.8 | 13   | R1/2 | 21 |
| PLL12-01 | 12 | 29.5 | 59   | 21   | 7    | R1/8 | 19 |
| PLL12-02 |    | 29.5 | 59.5 | 21   | 9.5  | R1/4 | 19 |
| PLL12-03 |    | 29.5 | 60.5 | 21   | 10   | R3/8 | 19 |
| PLL12-04 |    | 29.5 | 64   | 21   | 13   | R1/2 | 21 |
| PLL16-02 | 16 | 31.5 | 72   | 26   | 9.5  | R1/4 | 24 |
| PLL16-03 |    | 31.5 | 74   | 26   | 10   | R3/8 | 24 |
| PLL16-04 |    | 31.5 | 78   | 26   | 13   | R1/2 | 24 |

**PLF**

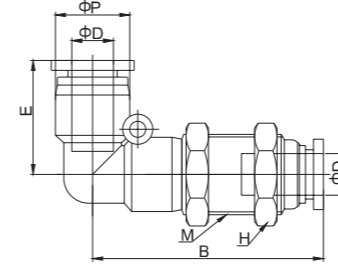
**Female Elbow**



| Model    | ΦD | E    | B    | ΦP   | A   | R     | H  |
|----------|----|------|------|------|-----|-------|----|
| PLF04-M5 | 4  | 18   | 21.2 | 11   | 4   | M5    | 10 |
| PLF04-01 |    | 18   | 23.5 | 11   | 7   | Rc1/8 | 14 |
| PLF04-02 |    | 18   | 26.5 | 11   | 9.5 | Rc1/4 | 17 |
| PLF06-M5 | 6  | 19   | 21.8 | 13.4 | 4   | M5    | 12 |
| PLF06-01 |    | 19   | 24.2 | 13.4 | 7   | Rc1/8 | 12 |
| PLF06-02 |    | 19   | 27.2 | 13.4 | 9.5 | Rc1/4 | 17 |
| PLF06-03 |    | 19   | 28.8 | 13.4 | 10  | Rc3/8 | 21 |
| PLF06-04 |    | 19   | 30.8 | 13.4 | 13  | Rc1/2 | 24 |
| PLF08-01 | 8  | 23   | 27.5 | 15   | 7   | Rc1/8 | 14 |
| PLF08-02 |    | 23   | 31   | 15   | 9.5 | Rc1/4 | 17 |
| PLF08-03 |    | 23   | 32   | 15   | 10  | Rc3/8 | 21 |
| PLF08-04 |    | 23   | 34   | 15   | 13  | Rc1/2 | 24 |
| PLF10-01 | 10 | 27.5 | 31.8 | 18.8 | 7   | Rc1/8 | 17 |
| PLF10-02 |    | 27.5 | 35   | 18.8 | 9.5 | Rc1/4 | 17 |
| PLF10-03 |    | 27.5 | 36   | 18.8 | 10  | Rc3/8 | 21 |
| PLF10-04 |    | 27.5 | 38   | 18.8 | 13  | Rc1/2 | 24 |
| PLF12-01 | 12 | 29.5 | 33.5 | 21   | 7   | Rc1/8 | 21 |
| PLF12-02 |    | 29.5 | 37   | 21   | 9.5 | Rc1/4 | 21 |
| PLF12-03 |    | 29.5 | 38   | 21   | 10  | Rc3/8 | 21 |
| PLF12-04 |    | 29.5 | 40   | 21   | 13  | Rc1/2 | 24 |

**PLM**

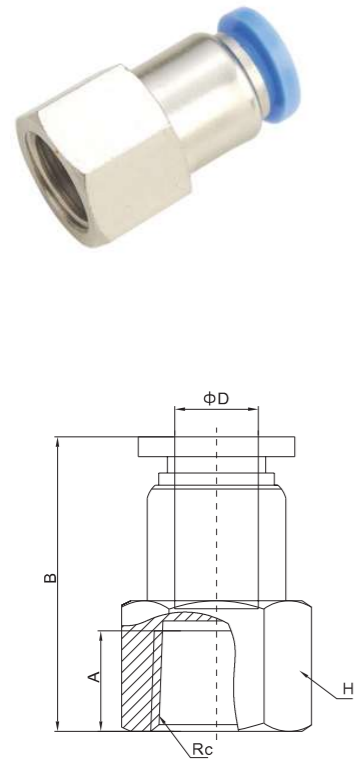
**Bulkhead Elbow**



| Model | ΦD | E    | B    | ΦP   | A   | M   | H  |
|-------|----|------|------|------|-----|-----|----|
| PLM04 | 4  | 18   | 43.6 | 11   | 7   | M12 | 14 |
| PLM06 | 6  | 19   | 46.5 | 13.4 | 9.5 | M14 | 17 |
| PLM08 | 8  | 23   | 53.5 | 15   | 4   | M16 | 20 |
| PLM10 | 10 | 27.5 | 63.8 | 18.8 | 7   | M20 | 24 |
| PLM12 | 12 | 29.5 | 69.2 | 21   | 9.5 | M22 | 27 |
| PLM16 | 16 | 31.5 | 76   | 26   | 10  | M24 | 30 |

PCF

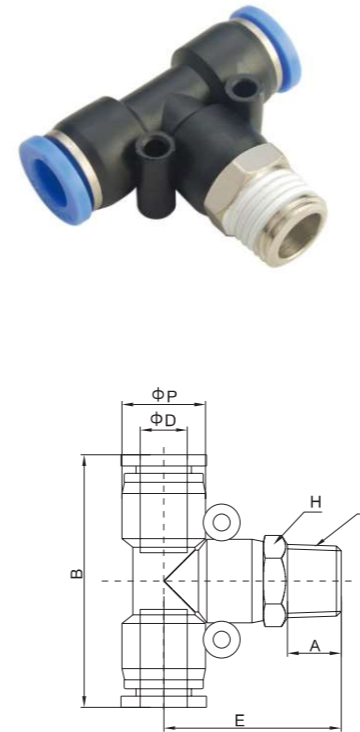
Female Straight



| Model    | ΦD | Rc    | A  | B    | H  |
|----------|----|-------|----|------|----|
| PCF04-01 | 4  | Rc1/8 | 8  | 23   | 12 |
| PCF04-02 |    | Rc1/4 | 11 | 26   | 17 |
| PCF06-01 | 6  | Rc1/8 | 8  | 24.5 | 12 |
| PCF06-02 |    | Rc1/4 | 11 | 27.5 | 17 |
| PCF06-03 |    | Rc3/8 | 12 | 28.5 | 21 |
| PCF06-04 |    | Rc1/2 | 14 | 30.5 | 24 |
| PCF08-01 | 8  | Rc1/8 | 8  | 26.5 | 14 |
| PCF08-02 |    | Rc1/4 | 11 | 29.5 | 17 |
| PCF08-03 |    | Rc3/8 | 12 | 30.5 | 21 |
| PCF08-04 |    | Rc1/2 | 14 | 32.5 | 24 |
| PCF10-01 | 10 | Rc1/8 | 8  | 30.5 | 17 |
| PCF10-02 |    | Rc1/4 | 11 | 33.5 | 17 |
| PCF10-03 |    | Rc3/8 | 12 | 34.5 | 21 |
| PCF10-04 |    | Rc1/2 | 14 | 36.5 | 24 |
| PCF12-02 | 12 | Rc1/4 | 11 | 34   | 21 |
| PCF12-03 |    | Rc3/8 | 12 | 35   | 21 |
| PCF12-04 |    | Rc1/2 | 14 | 37   | 24 |

PB

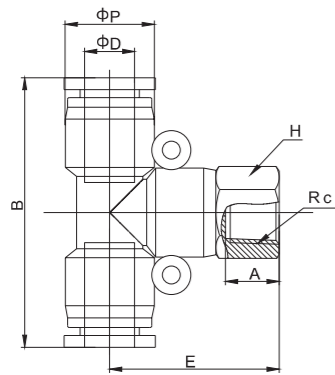
Branch Tee



| Model   | ΦD | E    | B    | ΦP   | A   | R    | H  |
|---------|----|------|------|------|-----|------|----|
| PB04-M5 | 4  | 22   | 36.5 | 11   | 4   | M5   | 10 |
| PB04-01 |    | 24.5 | 36.5 | 11   | 7   | R1/8 | 10 |
| PB04-02 |    | 27.5 | 36.5 | 11   | 9.5 | R1/4 | 14 |
| PB06-M5 | 6  | 23   | 38.5 | 13.4 | 4   | M5   | 12 |
| PB06-01 |    | 25.5 | 38.5 | 13.4 | 7   | R1/8 | 12 |
| PB06-02 |    | 28.5 | 38.5 | 13.4 | 9.5 | R1/4 | 14 |
| PB06-03 |    | 29.5 | 38.5 | 13.4 | 10  | R3/8 | 17 |
| PB06-04 |    | 34   | 38.5 | 13.4 | 13  | R1/2 | 21 |
| PB08-01 | 8  | 28.5 | 45.5 | 15   | 7   | R1/8 | 14 |
| PB08-02 |    | 32   | 45.5 | 15   | 9.5 | R1/4 | 14 |
| PB08-03 |    | 33   | 45.5 | 15   | 10  | R3/8 | 17 |
| PB08-04 |    | 36   | 45.5 | 15   | 13  | R1/2 | 21 |
| PB10-01 | 10 | 34   | 56   | 18.8 | 7   | R1/8 | 17 |
| PB10-02 |    | 37   | 56   | 18.8 | 9.5 | R1/4 | 17 |
| PB10-03 |    | 37.5 | 56   | 18.8 | 10  | R3/8 | 17 |
| PB10-04 |    | 41.5 | 56   | 18.8 | 13  | R1/2 | 21 |
| PB12-01 | 12 | 36.5 | 59   | 21   | 7   | R1/8 | 21 |
| PB12-02 |    | 38.5 | 59   | 21   | 9.5 | R1/4 | 21 |
| PB12-03 |    | 39   | 59   | 21   | 10  | R3/8 | 21 |
| PB12-04 |    | 42   | 59   | 21   | 13  | R1/2 | 21 |
| PB16-02 | 16 | 40.5 | 63   | 26   | 9.5 | R1/4 | 24 |
| PB16-03 |    | 41   | 63   | 26   | 10  | R3/8 | 24 |
| PB16-04 |    | 44   | 63   | 26   | 13  | R1/2 | 24 |



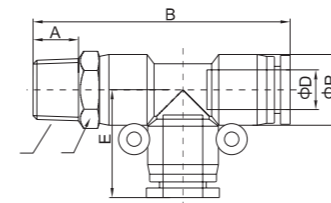
**PBF**



**Female Tee**

| Model    | ΦD | E    | B    | ΦP   | A   | R    | H  |
|----------|----|------|------|------|-----|------|----|
| PBF04-M5 | 4  | 21.2 | 36.5 | 11   | 4.5 | M5   | 10 |
| PBF04-01 |    | 23.5 | 36.5 | 11   | 7   | R1/8 | 10 |
| PBF04-02 |    | 26.5 | 36.5 | 11   | 10  | R1/4 | 14 |
| PBF06-M5 | 6  | 21.8 | 38.5 | 13.4 | 4.5 | M5   | 12 |
| PBF06-01 |    | 24.2 | 38.5 | 13.4 | 7   | R1/8 | 12 |
| PBF06-02 |    | 27.2 | 38.5 | 13.4 | 10  | R1/4 | 14 |
| PBF06-03 |    | 28.8 | 38.5 | 13.4 | 11  | R3/8 | 17 |
| PBF06-04 |    | 30.8 | 38.5 | 13.4 | 13  | R1/2 | 21 |
| PBF08-01 | 8  | 27.5 | 45.5 | 15   | 7   | R1/8 | 14 |
| PBF08-02 |    | 31   | 45.5 | 15   | 10  | R1/4 | 14 |
| PBF08-03 |    | 32   | 45.5 | 15   | 11  | R3/8 | 17 |
| PBF08-04 |    | 34   | 45.5 | 15   | 13  | R1/2 | 21 |
| PBF10-01 | 10 | 31.8 | 56   | 18.8 | 7   | R1/8 | 17 |
| PBF10-02 |    | 35   | 56   | 18.8 | 10  | R1/4 | 17 |
| PBF10-03 |    | 36   | 56   | 18.8 | 11  | R3/8 | 17 |
| PBF10-04 |    | 38   | 56   | 18.8 | 13  | R1/2 | 21 |
| PBF12-01 | 12 | 33.5 | 59   | 21   | 7   | R1/8 | 21 |
| PBF12-02 |    | 37   | 59   | 21   | 10  | R1/4 | 21 |
| PBF12-03 |    | 38   | 59   | 21   | 11  | R3/8 | 21 |
| PBF12-04 |    | 40   | 59   | 21   | 13  | R1/2 | 21 |
| PBF16-02 | 16 | 40.5 | 63   | 26   | 10  | R1/4 | 24 |
| PBF16-03 |    | 41   | 63   | 26   | 11  | R3/8 | 24 |
| PBF16-04 |    | 44   | 63   | 26   | 13  | R1/2 | 24 |

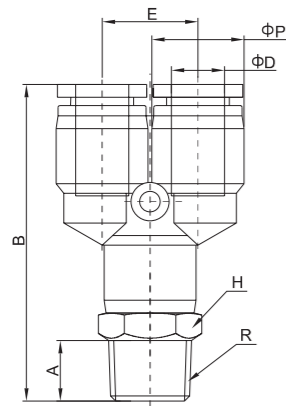
**PD**



**Run Tee**

| Model   | ΦD | E    | B    | ΦP   | A   | R    | H  |
|---------|----|------|------|------|-----|------|----|
| PD04-M5 | 4  | 18   | 40.5 | 11   | 4   | M5   | 10 |
| PD04-01 |    | 18   | 43   | 11   | 7   | R1/8 | 10 |
| PD04-02 |    | 18   | 46   | 11   | 9.5 | R1/4 | 14 |
| PD06-M5 | 6  | 19   | 42   | 13.4 | 4   | M5   | 12 |
| PD06-01 |    | 19   | 45   | 13.4 | 7   | R1/8 | 12 |
| PD06-02 |    | 19   | 47.5 | 13.4 | 9.5 | R1/4 | 14 |
| PD06-03 |    | 19   | 48.5 | 13.4 | 10  | R3/8 | 17 |
| PD06-04 |    | 19   | 53   | 13.4 | 13  | R1/2 | 21 |
| PD08-01 | 8  | 23   | 51.5 | 15   | 7   | R1/8 | 14 |
| PD08-02 |    | 23   | 55   | 15   | 9.5 | R1/4 | 14 |
| PD08-03 |    | 23   | 56   | 15   | 10  | R3/8 | 17 |
| PD08-04 |    | 23   | 59   | 15   | 13  | R1/2 | 21 |
| PD10-01 | 10 | 28   | 62   | 18.8 | 7   | R1/8 | 17 |
| PD10-02 |    | 28   | 65   | 18.8 | 9.5 | R1/4 | 17 |
| PD10-03 |    | 28   | 66.5 | 18.8 | 10  | R3/8 | 17 |
| PD10-04 |    | 28   | 69.5 | 18.8 | 13  | R1/2 | 21 |
| PD12-01 | 12 | 29.5 | 66   | 21   | 7   | R1/8 | 21 |
| PD12-02 |    | 29.5 | 68   | 21   | 9.5 | R1/4 | 21 |
| PD12-03 |    | 29.5 | 68.5 | 21   | 10  | R3/8 | 21 |
| PD12-04 |    | 29.5 | 71.5 | 21   | 13  | R1/2 | 21 |
| PD16-02 | 16 | 31   | 72.5 | 26   | 9.5 | R1/4 | 24 |
| PD16-03 |    | 31   | 73   | 26   | 10  | R3/8 | 24 |
| PD16-04 |    | 31   | 76   | 26   | 13  | R1/2 | 24 |

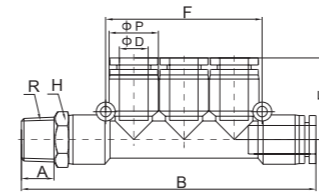
PX



Run Y

| Model   | ΦD | E    | B    | ΦP   | A   | R    | H  |
|---------|----|------|------|------|-----|------|----|
| PX04-M5 | 4  | 11   | 39.5 | 11   | 4   | M5   | 10 |
| PX04-01 |    | 11   | 42   | 11   | 7   | R1/8 | 10 |
| PX04-02 |    | 1    | 45   | 1    | 9.5 | R1/4 | 14 |
| PX06-M5 | 6  | 13.4 | 40.5 | 13.4 | 4   | M5   | 12 |
| PX06-01 |    | 13.4 | 43.5 | 13.4 | 7   | R1/8 | 12 |
| PX06-02 |    | 13.4 | 46.5 | 13.4 | 9.5 | R1/4 | 14 |
| PX06-03 |    | 13.4 | 47.5 | 13.4 | 10  | R3/8 | 17 |
| PX06-04 |    | 13.4 | 51.5 | 13.4 | 13  | R1/2 | 21 |
| PX08-01 | 8  | 15   | 46   | 15   | 7   | R1/8 | 14 |
| PX08-02 |    | 15   | 49.5 | 15   | 9.5 | R1/4 | 14 |
| PX08-03 |    | 15   | 51   | 15   | 10  | R3/8 | 17 |
| PX08-04 |    | 15   | 54   | 15   | 13  | R1/2 | 21 |
| PX10-01 | 10 | 18.8 | 60   | 18.8 | 7   | R1/8 | 17 |
| PX10-02 |    | 18.8 | 63   | 18.8 | 9.5 | R1/4 | 17 |
| PX10-03 |    | 18.8 | 64   | 18.8 | 10  | R3/8 | 17 |
| PX10-04 |    | 18.8 | 66.5 | 18.8 | 13  | R1/2 | 21 |
| PX12-01 | 12 | 21   | 65   | 21   | 7   | R1/8 | 19 |
| PX12-02 |    | 21   | 70   | 21   | 9.5 | R1/4 | 19 |
| PX12-03 |    | 21   | 70.5 | 21   | 10  | R3/8 | 19 |
| PX12-04 |    | 21   | 73   | 21   | 13  | R1/2 | 21 |

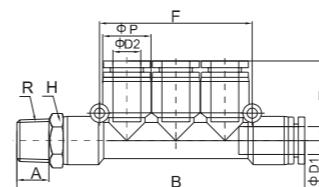
PKB



Branch Triple

| Model    | ΦD | B     | E    | A   | R    | F    | ΦP   | H  |
|----------|----|-------|------|-----|------|------|------|----|
| PKB04-01 | 4  | 63.1  | 19   | 7   | R1/8 | 35.8 | 13.4 | 12 |
| PKB04-02 |    | 66.5  | 19   | 9.5 | R1/4 | 35.8 | 13.4 | 14 |
| PKB06-01 | 6  | 70.5  | 20.2 | 7   | R1/8 | 42.8 | 15   | 14 |
| PKB06-02 |    | 74    | 20.2 | 9.5 | R1/4 | 42.8 | 15   | 14 |
| PKB06-03 |    | 75    | 20.2 | 10  | R3/8 | 42.8 | 15   | 17 |
| PKB08-01 | 8  | 86.5  | 23.8 | 7   | R1/8 | 49.6 | 18.8 | 14 |
| PKB08-02 |    | 89.5  | 23.8 | 9.5 | R1/4 | 49.6 | 18.8 | 14 |
| PKB08-03 |    | 90.5  | 23.8 | 10  | R3/8 | 49.6 | 18.8 | 17 |
| PKB10-02 | 10 | 104   | 29   | 9.5 | R1/4 | 59.6 | 21   | 17 |
| PKB10-03 |    | 105.5 | 29   | 10  | R3/8 | 59.6 | 21   | 17 |
| PKB10-04 |    | 110   | 29   | 13  | R1/2 | 59.6 | 21   | 21 |

PKD

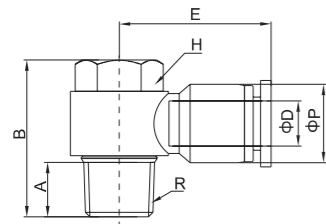


Reduced Branch Triple

| 型号 Model    | ΦD1 | ΦD2 | B     | E    | A   | R    | F    | ΦP   | H  |
|-------------|-----|-----|-------|------|-----|------|------|------|----|
| PKD06-04-01 | 6   | 4   | 63.1  | 19   | 7   | R1/8 | 35.8 | 13.4 | 12 |
| PKD06-04-02 |     |     | 66.5  | 19   | 9.5 | R1/4 | 35.8 | 13.4 | 14 |
| PKD08-06-01 | 8   | 6   | 70.5  | 20.2 | 7   | R1/8 | 42.8 | 15   | 14 |
| PKD08-06-02 |     |     | 74    | 20.2 | 9.5 | R1/4 | 42.8 | 15   | 14 |
| PKD08-06-03 |     |     | 75    | 20.2 | 10  | R3/8 | 42.8 | 15   | 17 |
| PKD10-08-01 | 10  | 8   | 86.5  | 23.8 | 7   | R1/8 | 49.6 | 18.8 | 14 |
| PKD10-08-02 |     |     | 89.5  | 23.8 | 9.5 | R1/4 | 49.6 | 18.8 | 14 |
| PKD10-08-03 |     |     | 90.5  | 23.8 | 10  | R3/8 | 49.6 | 18.8 | 17 |
| PKD12-10-02 | 12  | 10  | 104   | 29   | 9.5 | R1/4 | 59.6 | 21   | 17 |
| PKD12-10-03 |     |     | 105.5 | 29   | 10  | R3/8 | 59.6 | 21   | 17 |
| PKD12-10-04 |     |     | 110   | 29   | 13  | R1/2 | 59.6 | 21   | 21 |

**PH**

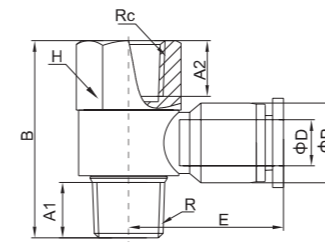
**Single Banjo**



| Model   | ϕD | E    | B    | ϕP   | A   | R    | H  |
|---------|----|------|------|------|-----|------|----|
| PH04-M5 | 4  | 20   | 17   | 11   | 4   | M5   | 8  |
| PH04-01 |    | 22.5 | 26   | 11   | 7   | R1/8 | 12 |
| PH04-02 |    | 24   | 23.5 | 11   | 9.5 | R1/4 | 14 |
| PH06-M5 | 6  | 22   | 17   | 13.4 | 4   | M5   | 8  |
| PH06-01 |    | 23   | 23.5 | 13.4 | 7   | R1/8 | 12 |
| PH06-02 |    | 25   | 26   | 13.4 | 9.5 | R1/4 | 14 |
| PH06-03 |    | 27   | 31.5 | 13.4 | 10  | R3/8 | 19 |
| PH08-01 | 8  | 25.5 | 23.5 | 15   | 7   | R1/8 | 12 |
| PH08-02 |    | 28.5 | 26   | 15   | 9.5 | R1/4 | 14 |
| PH08-03 |    | 29.5 | 31.5 | 15   | 10  | R3/8 | 19 |
| PH08-04 |    | 32.5 | 38.5 | 15   | 13  | R1/2 | 24 |
| PH10-01 | 10 | 30   | 23.5 | 18.8 | 7   | R1/8 | 12 |
| PH10-02 |    | 32   | 26   | 18.8 | 9.5 | R1/4 | 14 |
| PH10-03 |    | 33   | 31.5 | 18.8 | 10  | R3/8 | 19 |
| PH10-04 |    | 36   | 38.5 | 18.8 | 13  | R1/2 | 24 |
| PH12-02 | 12 | 34   | 26   | 21   | 9.5 | R1/4 | 14 |
| PH12-03 |    | 35.5 | 31.5 | 21   | 10  | R3/8 | 19 |
| PH12-04 |    | 36.5 | 38.5 | 21   | 13  | R1/2 | 24 |

**PHF**

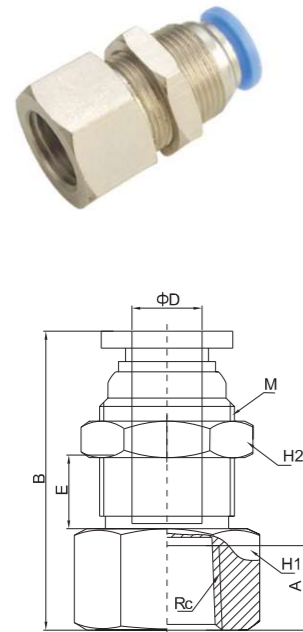
**Connector Banjo**



| Model    | ϕD | E    | B    | ϕP   | A1  | A2 | Rc    | R    | H  |
|----------|----|------|------|------|-----|----|-------|------|----|
| PHF04-M5 | 4  | 20   | 19.5 | 11   | 4   | 5  | M5    | M5   | 8  |
| PHF04-01 |    | 22.5 | 29.5 | 11   | 7   | 8  | Rc1/8 | R1/8 | 12 |
| PHF04-02 |    | 24   | 34.5 | 11   | 9.5 | 10 | Rc1/4 | R1/4 | 17 |
| PHF06-M5 | 6  | 22   | 19.5 | 13.4 | 4   | 5  | M5    | M5   | 8  |
| PHF06-01 |    | 23   | 29.5 | 13.4 | 7   | 8  | Rc1/8 | R1/8 | 12 |
| PHF06-02 |    | 25   | 34.5 | 13.4 | 9.5 | 10 | Rc1/4 | R1/4 | 17 |
| PHF06-03 |    | 27   | 40.5 | 13.4 | 10  | 11 | Rc3/8 | R3/8 | 21 |
| PHF08-01 | 8  | 25.5 | 29.5 | 15   | 7   | 8  | Rc1/8 | R1/8 | 12 |
| PHF08-02 |    | 28.5 | 34.5 | 15   | 9.5 | 10 | Rc1/4 | R1/4 | 17 |
| PHF08-03 |    | 29.5 | 40.5 | 15   | 10  | 11 | Rc3/8 | R3/8 | 21 |
| PHF08-04 |    | 32.5 | 47.5 | 15   | 13  | 14 | Rc1/2 | R1/2 | 24 |
| PHF10-01 | 10 | 30   | 34.5 | 18.8 | 7   | 8  | Rc1/8 | R1/8 | 12 |
| PHF10-02 |    | 32   | 34.5 | 18.8 | 9.5 | 10 | Rc1/4 | R1/4 | 17 |
| PHF10-03 |    | 33   | 40.5 | 18.8 | 10  | 11 | Rc3/8 | R3/8 | 21 |
| PHF10-04 |    | 36   | 47.5 | 18.8 | 13  | 14 | Rc1/2 | R1/2 | 24 |
| PHF12-02 | 12 | 34   | 34.5 | 21   | 9.5 | 10 | Rc1/4 | R1/4 | 17 |
| PHF12-03 |    | 35.5 | 40.5 | 21   | 10  | 11 | Rc3/8 | R3/8 | 21 |
| PHF12-04 |    | 36.5 | 47.5 | 21   | 13  | 14 | Rc1/2 | R1/2 | 24 |

**PMF**

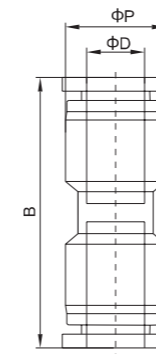
**Bulkhead Female Straight**



| Model    | ΦD | Rc    | A  | B    | M   | E   | H1 | H2 |
|----------|----|-------|----|------|-----|-----|----|----|
| PMF04-01 | 4  | Rc1/8 | 8  | 23   | M12 | 5   | 14 | 14 |
| PMF04-02 |    | Rc1/4 | 11 | 26   | M12 | 5   | 17 | 14 |
| PMF06-01 | 6  | Rc1/8 | 8  | 24.5 | M12 | 7   | 17 | 17 |
| PMF06-02 |    | Rc1/4 | 11 | 27.5 | M14 | 7   | 17 | 17 |
| PMF06-03 |    | Rc3/8 | 12 | 28.5 | M14 | 7   | 19 | 17 |
| PMF08-01 | 8  | Rc1/8 | 8  | 26.5 | M16 | 8   | 19 | 19 |
| PMF08-02 |    | Rc1/4 | 11 | 29.5 | M16 | 8   | 19 | 19 |
| PMF08-03 |    | Rc3/8 | 12 | 30.5 | M16 | 8   | 19 | 19 |
| PMF08-04 |    | Rc1/2 | 14 | 32.5 | M16 | 8   | 24 | 19 |
| PMF10-01 | 10 | Rc1/8 | 8  | 30.5 | M20 | 8.5 | 22 | 24 |
| PMF10-02 |    | Rc1/4 | 11 | 33.5 | M20 | 8.5 | 24 | 24 |
| PMF10-03 |    | Rc3/8 | 12 | 34.5 | M20 | 8.5 | 24 | 24 |
| PMF10-04 |    | Rc1/2 | 14 | 36.5 | M20 | 8.5 | 24 | 24 |
| PMF12-01 | 12 | Rc1/8 | 8  | 34   | M22 | 9   | 24 | 26 |
| PMF12-02 |    | Rc1/4 | 11 | 34   | M22 | 9   | 24 | 26 |
| PMF12-03 |    | Rc3/8 | 12 | 35   | M22 | 9   | 24 | 26 |
| PMF12-04 |    | Rc1/2 | 14 | 37   | M22 | 9   | 24 | 26 |

**PU**

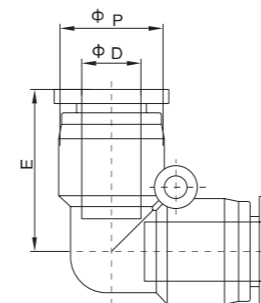
**Union Straight**



| Model | ΦD | B    | ΦP   |
|-------|----|------|------|
| PU04  | 4  | 32.5 | 11   |
| PU06  | 6  | 35   | 13.4 |
| PU08  | 8  | 39   | 15   |
| PU10  | 10 | 47   | 18.8 |
| PU12  | 12 | 48.5 | 21   |
| PU16  | 16 | 56   | 26   |

**PV**

**Union Elbow**



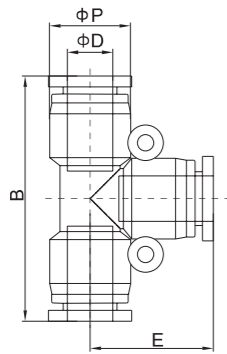
| Model | ΦD | E    | ΦP   |
|-------|----|------|------|
| PV04  | 4  | 18   | 11   |
| PV06  | 6  | 19   | 13.4 |
| PV08  | 8  | 23   | 15   |
| PV10  | 10 | 27.5 | 18.8 |
| PV12  | 12 | 29.5 | 21   |
| PV16  | 16 | 31.5 | 26   |

PE



Union Tee

| Model | ΦD | B    | ΦP   | E    |
|-------|----|------|------|------|
| PE04  | 4  | 36.5 | 11   | 18   |
| PE06  | 6  | 38.5 | 13.4 | 19   |
| PE08  | 8  | 45.5 | 15   | 23   |
| PE10  | 10 | 56   | 18.8 | 28   |
| PE12  | 12 | 58.5 | 21   | 39.5 |
| PE16  | 16 | 63   | 26   | 31   |

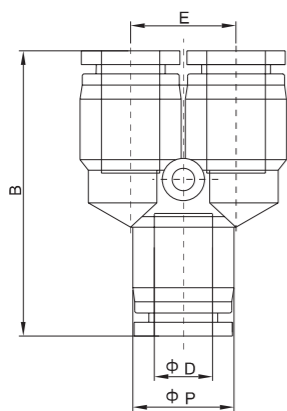


PY



Union Y

| Model | ΦD | B    | ΦP   | E    |
|-------|----|------|------|------|
| PY04  | 4  | 35.5 | 11   | 11   |
| PY06  | 6  | 37   | 13.4 | 13.4 |
| PY08  | 8  | 40.5 | 15   | 15   |
| PY10  | 10 | 49.5 | 18.8 | 18.8 |
| PY12  | 12 | 52.5 | 21   | 21   |

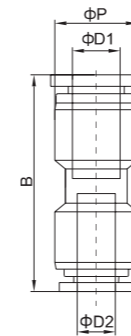


PG



Unequal Union Straight

| Model   | ΦD1 | ΦD2 | B    | ΦP   |
|---------|-----|-----|------|------|
| PG06-04 | 6   | 4   | 35   | 13.4 |
| PG08-06 | 8   | 6   | 38.5 | 15   |
| PG10-08 | 10  | 8   | 46.5 | 18.8 |
| PG12-10 | 12  | 10  | 48   | 21   |

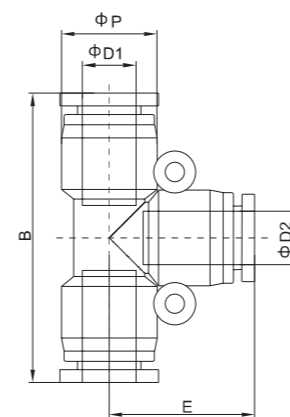


PEG



Diff. Diam Union Tee

| Model    | ΦD1 | ΦD2 | B    | ΦP   | E    |
|----------|-----|-----|------|------|------|
| PEG06-04 | 6   | 4   | 38.5 | 13.4 | 19   |
| PEG08-06 | 8   | 6   | 45.5 | 15   | 23   |
| PEG10-08 | 10  | 8   | 56   | 18.8 | 28   |
| PEG12-10 | 12  | 10  | 58.5 | 21   | 39.5 |

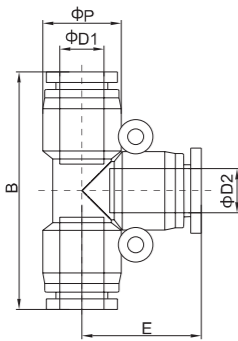


**PGE**



**Diff. Diam Union Tee**

| Model    | ΦD1 | ΦD2 | B    | ΦP   | E    |
|----------|-----|-----|------|------|------|
| PGE06-04 | 4   | 6   | 38   | 13.4 | 19   |
| PGE08-06 | 6   | 8   | 45   | 15   | 23   |
| PGE10-08 | 8   | 10  | 55.5 | 18.8 | 28   |
| PGE12-10 | 10  | 12  | 58   | 21   | 39.5 |

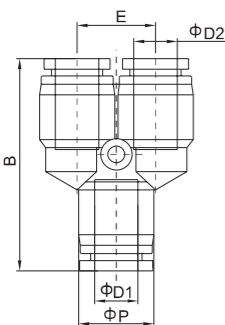


**PW**



**Diff. Diam Union Y**

| Model   | ΦD1 | ΦD2 | B    | ΦP   | E    |
|---------|-----|-----|------|------|------|
| PW06-04 | 6   | 4   | 37   | 13.4 | 13.4 |
| PW08-06 | 8   | 6   | 40.5 | 15   | 15   |
| PW10-08 | 10  | 8   | 49.5 | 18.8 | 18.8 |
| PW12-10 | 12  | 10  | 52.5 | 21   | 21   |

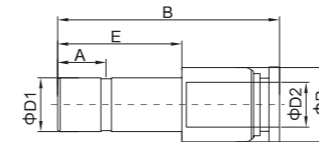


**PJ**



**Reducer**

| Model   | ΦD2 | E  | ΦD1 | B  | A | ΦP |
|---------|-----|----|-----|----|---|----|
| PJ06-04 | 4   | 17 | 6   | 41 | 6 | 10 |
| PJ08-04 | 4   | 20 | 8   | 44 | 6 | 10 |
| PJ08-06 | 6   | 20 | 8   | 45 | 6 | 12 |
| PJ10-06 | 6   | 23 | 10  | 47 | 8 | 12 |
| PJ10-08 | 8   | 23 | 10  | 47 | 8 | 14 |
| PJ12-08 | 8   | 23 | 12  | 54 | 8 | 14 |
| PJ12-10 | 10  | 23 | 12  | 54 | 8 | 17 |

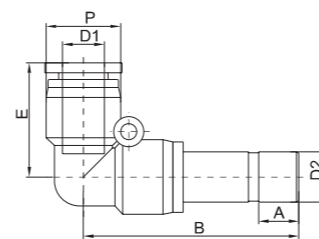


**PLJ**



**Unequal Plug-in Elbow**

| Model    | ΦD1 | E    | B    | ΦP   | A | ΦD2 |
|----------|-----|------|------|------|---|-----|
| PLJ06-04 | 4   | 18   | 32.3 | 11   | 6 | 6   |
| PLJ08-04 | 4   | 18   | 35.3 | 11   | 6 | 8   |
| PLJ08-06 | 6   | 19   | 37   | 13.4 | 6 | 8   |
| PLJ10-06 | 6   | 19   | 40   | 13.4 | 6 | 10  |
| PLJ10-08 | 8   | 23   | 43   | 15   | 8 | 10  |
| PLJ12-08 | 8   | 23   | 43   | 15   | 8 | 12  |
| PLJ12-10 | 10  | 27.5 | 47   | 18.8 | 8 | 12  |

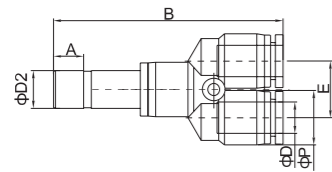


**PWJ**



**Unequal Plug-in Y**

| Model    | ΦD1 | E    | B    | ΦP   | A | ΦD2 |
|----------|-----|------|------|------|---|-----|
| PWJ06-04 | 4   | 11   | 50   | 11   | 6 | 6   |
| PWJ08-04 | 4   | 11   | 53   | 11   | 6 | 8   |
| PWJ08-06 | 6   | 13.4 | 54.5 | 13.4 | 6 | 8   |
| PWJ10-06 | 6   | 13.4 | 57.5 | 13.4 | 6 | 10  |
| PWJ10-08 | 8   | 15   | 61   | 15   | 8 | 10  |
| PWJ12-08 | 8   | 15   | 61   | 15   | 8 | 12  |
| PWJ12-10 | 10  | 18.8 | 69.5 | 18.8 | 8 | 12  |

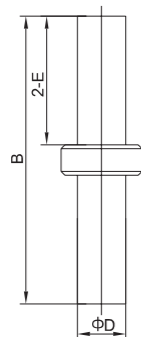


**PI**



**Union Stem**

| Model | ΦD | E    | B  |
|-------|----|------|----|
| PI04  | 4  | 16   | 35 |
| PI06  | 6  | 17   | 37 |
| PI08  | 8  | 18.5 | 40 |
| PI10  | 10 | 21   | 46 |
| PI12  | 12 | 22.5 | 50 |
| PI16  | 16 | 24.8 | 54 |

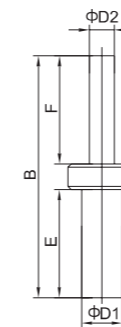


**PI**



**Unequal Union Stem**

| Model   | B    | ΦD1 | ΦD2 | E    | F    |
|---------|------|-----|-----|------|------|
| PI06-04 | 36   | 6   | 4   | 17   | 16   |
| PI08-04 | 39.5 | 8   | 4   | 18.5 | 18   |
| PI08-06 | 38.5 | 8   | 6   | 18.5 | 17   |
| PI10-06 | 44   | 10  | 6   | 22   | 19   |
| PI10-08 | 42.5 | 10  | 8   | 21   | 18.5 |
| PI12-08 | 47   | 12  | 8   | 24   | 20   |
| PI12-10 | 46.5 | 12  | 10  | 22   | 21   |

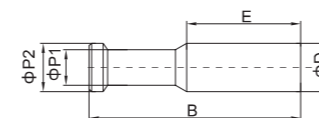


**PP**



**Plug**

| Model | ΦD | E  | ΦD2 | B  | ΦP |
|-------|----|----|-----|----|----|
| PP04  | 4  | 15 | 5   | 28 | 3  |
| PP06  | 6  | 17 | 7   | 33 | 3  |
| PP08  | 8  | 18 | 9   | 37 | 4  |
| PP10  | 10 | 21 | 11  | 42 | 5  |
| PP12  | 12 | 23 | 13  | 44 | 6  |

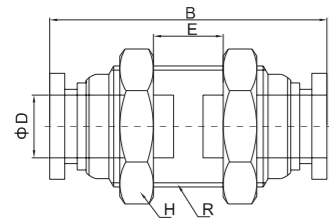


**PM**

**Bulkhead Union**



| Model | ΦD | B    | E  | R     | H  |
|-------|----|------|----|-------|----|
| PM04  | 4  | 30   | 8  | M12X1 | 14 |
| PM06  | 6  | 33   | 10 | M14X1 | 17 |
| PM08  | 8  | 36.8 | 12 | M16X1 | 19 |
| PM10  | 10 | 44.5 | 15 | M20X1 | 24 |
| PM12  | 12 | 46   | 16 | M22X1 | 27 |

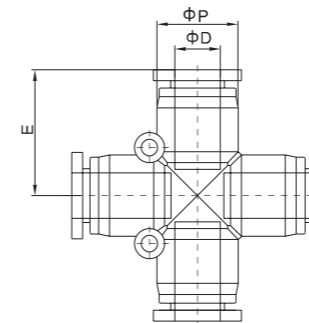


**PZA**

**Union Cross**

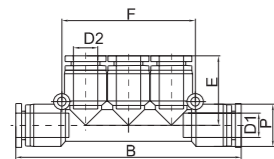


| Model | ΦD | E    | ΦP   |
|-------|----|------|------|
| PZA04 | 4  | 17.5 | 11   |
| PZA06 | 6  | 19.2 | 13   |
| PZA08 | 8  | 22.5 | 14.5 |
| PZA10 | 10 | 28   | 20   |
| PZA12 | 12 | 30   | 20   |





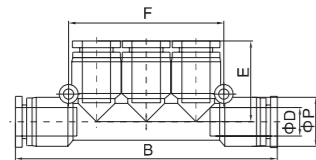
PKG



Unequal Triple

| Model    | ΦD1 | B    | E    | ΦD2 | F    | ΦP   |
|----------|-----|------|------|-----|------|------|
| PKG06-04 | 6   | 57.5 | 19   | 4   | 35.8 | 13.4 |
| PKG08-06 | 8   | 65   | 20.2 | 6   | 42.8 | 15   |
| PKG10-08 | 10  | 81   | 23.8 | 8   | 49.6 | 18.8 |
| PKG12-10 | 12  | 97   | 29   | 10  | 59.6 | 21   |

PK



Equal Triple

| Model | ΦD | B    | E    | F    | ΦP   |
|-------|----|------|------|------|------|
| PK04  | 4  | 57   | 19   | 35.8 | 13.4 |
| PK06  | 6  | 64   | 20.2 | 42.8 | 15   |
| PK08  | 8  | 80.6 | 23.8 | 49.6 | 18.8 |
| PK10  | 10 | 96   | 29   | 59.6 | 21   |

Metric Size-G Thread Type



**Specification**

|                   |                           |
|-------------------|---------------------------|
| Fluid             | Air, vacuum               |
| Pressure Range    | 0~1.0MPa                  |
| Negative Pressure | -100KPa(10Torr)           |
| Max Pressure      | 1.5MPa                    |
| Temperature Range | 0~60°C                    |
| Applicable Tube   | NYLON(PA)Polyurethane(PU) |

① **Type**

② **Tube Outer Diameter**

| Code                | Metric Size |    |    |     |     |     |
|---------------------|-------------|----|----|-----|-----|-----|
|                     | 04          | 06 | 08 | 10  | 12  | 16  |
| Tube Outer Diameter | Φ4          | Φ6 | Φ8 | Φ10 | Φ12 | Φ16 |

**Characteristics**

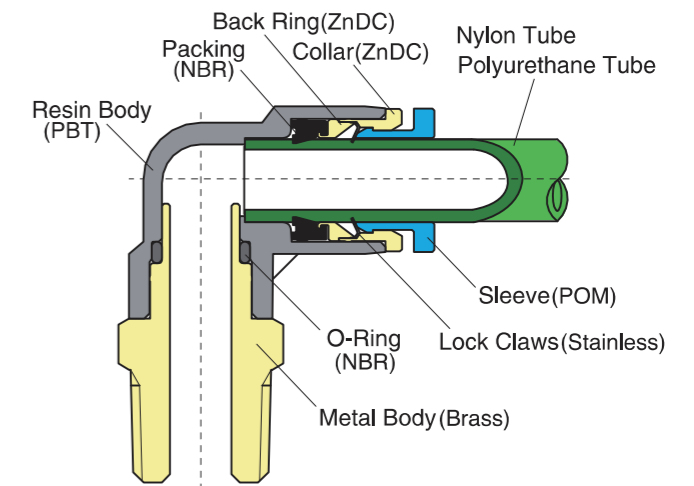
- 1.Quick installation, simple and flexible, space-saving.
2. The tube fitting comes in a wide variety of models to meet all your needs in pneumatic piping.
3. Even after installation, the direction of tubing can be changed freely.
4. The release ring adopts the ellipse design to make it more convenient and labor-saving for disconnection.
5. All threads are in O-ring with fine seal Performance.
6. All fittings are equipped with the internal hexagonal holes. It is easy for them to be mounted in the narrow places.

**Product Code System**

**PC 08 - G01**

①      ②      ③

**Structure Chart**

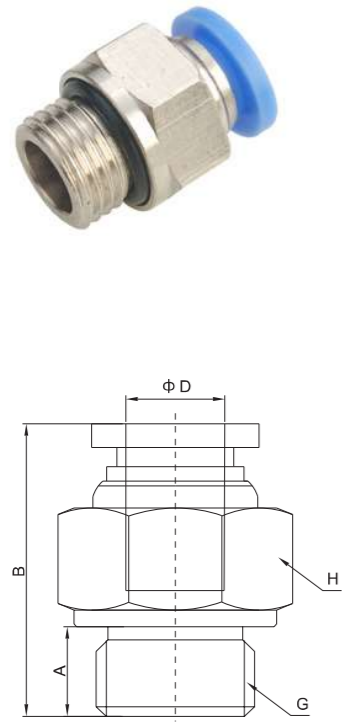


③ **Thread Type and Size**

| Code   | 55° G-Thread |      |      |      |
|--------|--------------|------|------|------|
|        | G01          | G02  | G03  | G04  |
| Thread | G1/8         | G1/4 | G3/8 | G1/2 |

PC-G

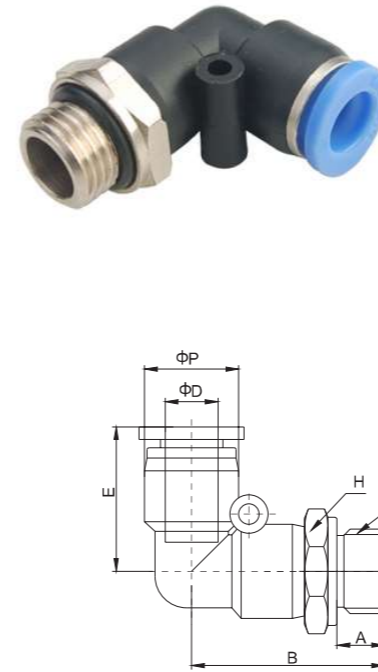
Male Straight



| Model    | ΦD | G    | A   | B    | H  |
|----------|----|------|-----|------|----|
| PC04-G01 | 4  | G1/8 | 5.5 | 20   | 14 |
| PC04-G02 |    | G1/4 | 7.5 | 19   | 17 |
| PC06-G01 | 6  | G1/8 | 5.5 | 21.2 | 14 |
| PC06-G02 |    | G1/4 | 7.5 | 22.2 | 17 |
| PC06-G03 |    | G3/8 | 8.5 | 21   | 20 |
| PC06-G04 |    | G1/2 | 11  | 23.8 | 24 |
| PC08-G01 | 8  | G1/8 | 5.5 | 25.3 | 14 |
| PC08-G02 |    | G1/4 | 7.5 | 24.5 | 17 |
| PC08-G03 |    | G3/8 | 8.5 | 22.2 | 20 |
| PC08-G04 |    | G1/2 | 11  | 24.5 | 24 |
| PC10-G01 | 10 | G1/8 | 5.5 | 29   | 17 |
| PC10-G02 |    | G1/4 | 7.5 | 30.5 | 17 |
| PC10-G03 |    | G3/8 | 8.5 | 28   | 20 |
| PC10-G04 |    | G1/2 | 11  | 26   | 24 |
| PC12-G01 | 12 | G1/8 | 5.5 | 30   | 20 |
| PC12-G02 |    | G1/4 | 7.5 | 32   | 20 |
| PC12-G03 |    | G3/8 | 8.5 | 32.5 | 20 |
| PC12-G04 |    | G1/2 | 11  | 31   | 24 |
| PC16-G02 | 16 | G1/4 | 7.5 | 35.5 | 24 |
| PC16-G03 |    | G3/8 | 8.5 | 37.5 | 24 |
| PC16-G04 |    | G1/2 | 11  | 40   | 24 |

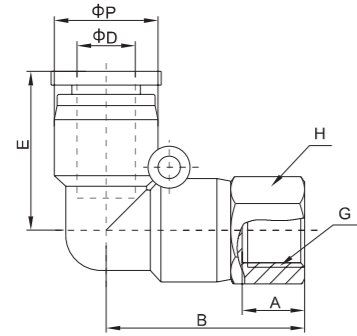
PL-G

Male Elbow



| Model    | ΦD | E    | B    | ΦP   | A   | G    | H  |
|----------|----|------|------|------|-----|------|----|
| PL04-G01 | 4  | 18   | 23.8 | 11   | 5.5 | G1/8 | 14 |
| PL04-G02 |    | 18   | 27.8 | 11   | 7.5 | G1/4 | 17 |
| PL06-G01 | 6  | 19   | 24.2 | 13.4 | 5.5 | G1/8 | 14 |
| PL06-G02 |    | 19   | 27.2 | 13.4 | 7.5 | G1/4 | 17 |
| PL06-G03 |    | 19   | 28.2 | 13.4 | 8.5 | G3/8 | 20 |
| PL06-G04 |    | 19   | 32.7 | 13.4 | 11  | G1/2 | 24 |
| PL08-G01 | 8  | 23   | 27.5 | 15   | 5.5 | G1/8 | 14 |
| PL08-G02 |    | 23   | 31   | 15   | 7.5 | G1/4 | 17 |
| PL08-G03 |    | 23   | 32   | 15   | 8.5 | G3/8 | 20 |
| PL08-G04 |    | 23   | 35   | 15   | 11  | G1/2 | 24 |
| PL10-G01 | 10 | 27.5 | 32.3 | 18.8 | 5.5 | G1/8 | 17 |
| PL10-G02 |    | 27.5 | 35.3 | 18.8 | 7.5 | G1/4 | 17 |
| PL10-G03 |    | 27.5 | 35.8 | 18.8 | 8.5 | G3/8 | 20 |
| PL10-G04 |    | 27.5 | 39.5 | 18.8 | 11  | G1/2 | 24 |
| PL12-G01 | 12 | 29.5 | 35.5 | 21   | 5.5 | G1/8 | 20 |
| PL12-G02 |    | 29.5 | 37.5 | 21   | 7.5 | G1/4 | 20 |
| PL12-G03 |    | 29.5 | 38   | 21   | 8.5 | G3/8 | 20 |
| PL12-G04 |    | 29.5 | 43   | 21   | 11  | G1/2 | 24 |
| PL16-G02 | 16 | 31.5 | 40   | 26   | 7.5 | G1/4 | 24 |
| PL16-G03 |    | 31.5 | 41   | 26   | 8.5 | G3/8 | 24 |
| PL16-G04 |    | 31.5 | 44   | 26   | 11  | G1/2 | 24 |

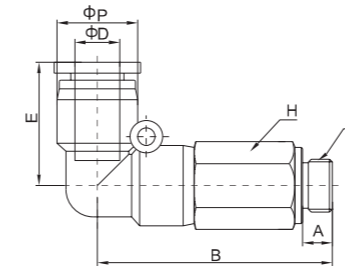
### PLF-G



### Female Elbow

| Model     | ΦD | E    | B    | ΦP   | A   | G    | H  |
|-----------|----|------|------|------|-----|------|----|
| PLF04-G01 | 4  | 18   | 21   | 11   | 5.5 | G1/8 | 14 |
| PLF04-G02 |    | 18   | 25.5 | 11   | 7.5 | G1/4 | 17 |
| PLF06-G01 | 6  | 19   | 22.5 | 13.4 | 5.5 | G1/8 | 12 |
| PLF06-G02 |    | 19   | 25   | 13.4 | 7.5 | G1/4 | 17 |
| PLF06-G03 |    | 19   | 27.5 | 13.4 | 8.5 | G3/8 | 21 |
| PLF06-G04 |    | 19   | 39   | 13.4 | 11  | G1/2 | 24 |
| PLF08-G01 | 8  | 23   | 26.5 | 15   | 5.5 | G1/8 | 14 |
| PLF08-G02 |    | 23   | 29   | 15   | 7.5 | G1/4 | 17 |
| PLF08-G03 |    | 23   | 31   | 15   | 8.5 | G3/8 | 21 |
| PLF08-G04 |    | 23   | 32   | 15   | 11  | G1/2 | 24 |
| PLF10-G01 | 10 | 27.5 | 31   | 18.8 | 5.5 | G1/8 | 17 |
| PLF10-G02 |    | 27.5 | 34   | 18.8 | 7.5 | G1/4 | 17 |
| PLF10-G03 |    | 27.5 | 35   | 18.8 | 8.5 | G3/8 | 21 |
| PLF10-G04 |    | 27.5 | 36   | 18.8 | 11  | G1/2 | 24 |
| PLF12-G01 | 12 | 29.5 | 32.5 | 21   | 5.5 | G1/8 | 21 |
| PLF12-G02 |    | 29.5 | 36   | 21   | 7.5 | G1/4 | 21 |
| PLF12-G03 |    | 29.5 | 37   | 21   | 8.5 | G3/8 | 21 |
| PLF12-G04 |    | 29.5 | 38   | 21   | 11  | G1/2 | 24 |

### PLL-G

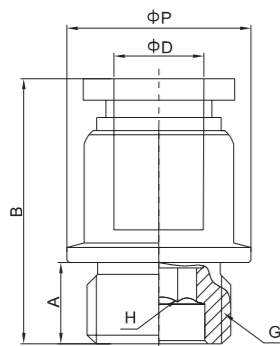


### Male Long Elbow

| Model     | ΦD | E    | B    | ΦP   | A   | G    | H  |
|-----------|----|------|------|------|-----|------|----|
| PLL04-G01 | 4  | 18   | 35   | 11   | 5.5 | G1/8 | 14 |
| PLL04-G02 |    | 18   | 38   | 11   | 7.5 | G1/4 | 17 |
| PLL06-G01 | 6  | 19   | 38   | 13.4 | 5.5 | G1/8 | 14 |
| PLL06-G02 |    | 19   | 41   | 13.4 | 7.5 | G1/4 | 17 |
| PLL06-G03 |    | 19   | 42   | 13.4 | 8.5 | G3/8 | 20 |
| PLL06-G04 |    | 19   | 45   | 13.4 | 11  | G1/2 | 24 |
| PLL08-G01 | 8  | 23   | 43   | 15   | 5.5 | G1/8 | 14 |
| PLL08-G02 |    | 23   | 45   | 15   | 7.5 | G1/4 | 17 |
| PLL08-G03 |    | 23   | 47   | 15   | 8.5 | G3/8 | 20 |
| PLL08-G04 |    | 23   | 50   | 15   | 11  | G1/2 | 24 |
| PLL10-G01 | 10 | 27.5 | 52   | 18.8 | 5.5 | G1/8 | 17 |
| PLL10-G02 |    | 27.5 | 54   | 18.8 | 7.5 | G1/4 | 17 |
| PLL10-G03 |    | 27.5 | 55   | 18.8 | 8.5 | G3/8 | 20 |
| PLL10-G04 |    | 27.5 | 58.5 | 18.8 | 11  | G1/2 | 24 |
| PLL12-G01 | 12 | 29.5 | 59   | 21   | 5.5 | G1/8 | 20 |
| PLL12-G02 |    | 29.5 | 59.5 | 21   | 7.5 | G1/4 | 20 |
| PLL12-G03 |    | 29.5 | 60.5 | 21   | 8.5 | G3/8 | 20 |
| PLL12-G04 |    | 29.5 | 64   | 21   | 11  | G1/2 | 24 |
| PLL16-G02 | 16 | 31.5 | 70   | 26   | 7.5 | G1/4 | 24 |
| PLL16-G03 |    | 31.5 | 73   | 26   | 8.5 | G3/8 | 24 |
| PLL16-G04 |    | 31.5 | 76   | 26   | 11  | G1/2 | 24 |

POC-G

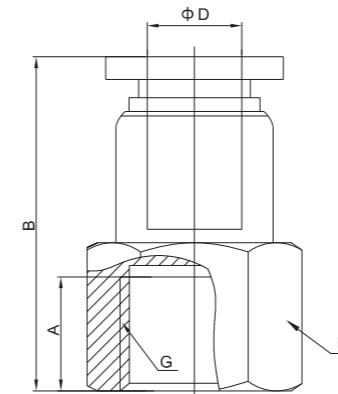
Male Straight



| Model     | ΦD | G    | A   | B    | ΦP | H  |
|-----------|----|------|-----|------|----|----|
| POC04-G01 |    | G1/8 | 5.5 | 20   | 14 | 3  |
| POC04-G02 |    | G1/4 | 7.5 | 19   | 17 | 3  |
| POC06-G01 | 6  | G1/8 | 5.5 | 21.2 | 14 | 4  |
| POC06-G02 |    | G1/4 | 7.5 | 22.2 | 17 | 4  |
| POC06-G03 |    | G3/8 | 8.5 | 21   | 20 | 4  |
| POC06-G04 |    | G1/2 | 11  | 23.8 | 24 | 4  |
| POC08-G01 | 8  | G1/8 | 5.5 | 25.3 | 14 | 5  |
| POC08-G02 |    | G1/4 | 7.5 | 24.5 | 17 | 5  |
| POC08-G03 |    | G3/8 | 8.5 | 22.2 | 20 | 6  |
| POC08-G04 |    | G1/2 | 11  | 24.5 | 24 | 6  |
| POC10-G01 | 10 | G1/8 | 5.5 | 29   | 17 | 5  |
| POC10-G02 |    | G1/4 | 7.5 | 30.5 | 17 | 6  |
| POC10-G03 |    | G3/8 | 8.5 | 28   | 20 | 8  |
| POC10-G04 |    | G1/2 | 11  | 26   | 24 | 8  |
| POC12-G01 | 12 | G1/8 | 5.5 | 30   | 20 | 5  |
| POC12-G02 |    | G1/4 | 7.5 | 32   | 20 | 6  |
| POC12-G03 |    | G3/8 | 8.5 | 32.5 | 20 | 8  |
| POC12-G04 |    | G1/2 | 11  | 31   | 24 | 8  |
| POC16-G02 | 16 | G1/4 | 7.5 | 35.5 | 24 | 6  |
| POC16-G03 |    | G3/8 | 8.5 | 37.5 | 24 | 8  |
| POC16-G04 |    | G1/2 | 11  | 40   | 24 | 10 |

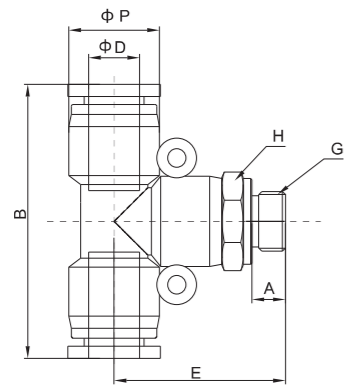
PCF-G

Female Straight



| Model     | ΦD | G    | A  | B    | H  |
|-----------|----|------|----|------|----|
| PCF04-G01 | 4  | G1/8 | 7  | 22   | 14 |
| PCF04-G02 |    | G1/4 | 10 | 25   | 17 |
| PCF06-G01 | 6  | G1/8 | 7  | 23.5 | 14 |
| PCF06-G02 |    | G1/4 | 10 | 26.5 | 17 |
| PCF06-G03 |    | G3/8 | 11 | 27.5 | 21 |
| PCF06-G04 |    | G1/2 | 13 | 29.5 | 24 |
| PCF08-G01 | 8  | G1/8 | 7  | 25.5 | 14 |
| PCF08-G02 |    | G1/4 | 10 | 28.5 | 17 |
| PCF08-G03 |    | G3/8 | 11 | 29.5 | 21 |
| PCF08-G04 |    | G1/2 | 13 | 31.5 | 24 |
| PCF10-G01 | 10 | G1/8 | 7  | 29.5 | 17 |
| PCF10-G02 |    | G1/4 | 10 | 32.5 | 17 |
| PCF10-G03 |    | G3/8 | 11 | 33.5 | 21 |
| PCF10-G04 |    | G1/2 | 13 | 35.5 | 24 |
| PCF12-G02 | 12 | G1/4 | 10 | 33   | 21 |
| PCF12-G03 |    | G3/8 | 11 | 34   | 21 |
| PCF12-G04 |    | G1/2 | 13 | 36   | 24 |

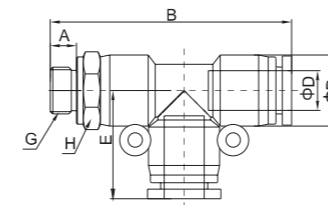
**PB-G**



**Branch Tee**

| Model    | ΦD | E    | B    | ΦP   | A   | G    | H  |
|----------|----|------|------|------|-----|------|----|
| PB04-G01 | 4  | 24   | 36.5 | 11   | 5.5 | G1/8 | 14 |
| PB04-G02 |    | 27   | 36.5 | 11   | 7.5 | G1/4 | 17 |
| PB06-G01 | 6  | 25   | 38.5 | 13.4 | 5.5 | G1/8 | 14 |
| PB06-G02 |    | 28   | 38.5 | 13.4 | 7.5 | G1/4 | 17 |
| PB06-G03 |    | 29   | 38.5 | 13.4 | 8.5 | G3/8 | 20 |
| PB06-G04 |    | 34   | 38.5 | 13.4 | 11  | G1/2 | 24 |
| PB08-G01 | 8  | 28   | 45.5 | 15   | 5.5 | G1/8 | 14 |
| PB08-G02 |    | 31   | 45.5 | 15   | 7.5 | G1/4 | 17 |
| PB08-G03 |    | 33   | 45.5 | 15   | 8.5 | G3/8 | 20 |
| PB08-G04 |    | 35   | 45.5 | 15   | 11  | G1/2 | 24 |
| PB10-G01 | 10 | 33   | 56   | 18.8 | 5.5 | G1/8 | 17 |
| PB10-G02 |    | 36   | 56   | 18.8 | 7.5 | G1/4 | 17 |
| PB10-G03 |    | 37   | 56   | 18.8 | 8.5 | G3/8 | 20 |
| PB10-G04 |    | 41   | 56   | 18.8 | 11  | G1/2 | 24 |
| PB12-G01 | 12 | 36   | 59   | 21   | 5.5 | G1/8 | 21 |
| PB12-G02 |    | 38   | 59   | 21   | 7.5 | G1/4 | 21 |
| PB12-G03 |    | 38   | 59   | 21   | 8.5 | G3/8 | 21 |
| PB12-G04 |    | 41   | 59   | 21   | 11  | G1/2 | 24 |
| PB16-G02 | 16 | 39.5 | 63   | 26   | 7.5 | G1/4 | 24 |
| PB16-G03 |    | 40   | 63   | 26   | 8.5 | G3/8 | 24 |
| PB16-G04 |    | 43   | 63   | 26   | 11  | G1/2 | 24 |

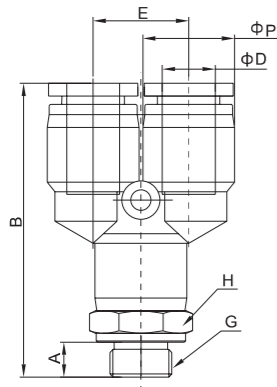
**PD-G**



**Run Tee**

| Model    | ΦD | E    | B    | ΦP   | A   | G    | H  |
|----------|----|------|------|------|-----|------|----|
| PD04-G01 | 4  | 18   | 42   | 11   | 5.5 | G1/8 | 14 |
| PD04-G02 |    | 18   | 45   | 11   | 7.5 | G1/4 | 17 |
| PD06-G01 | 6  | 19   | 44   | 13.4 | 5.5 | G1/8 | 14 |
| PD06-G02 |    | 19   | 46   | 13.4 | 7.5 | G1/4 | 17 |
| PD06-G03 |    | 19   | 47   | 13.4 | 8.5 | G3/8 | 20 |
| PD06-G04 |    | 19   | 52   | 13.4 | 11  | G1/2 | 24 |
| PD08-G01 | 8  | 23   | 50   | 15   | 5.5 | G1/8 | 14 |
| PD08-G02 |    | 23   | 53   | 15   | 7.5 | G1/4 | 17 |
| PD08-G03 |    | 23   | 55   | 15   | 8.5 | G3/8 | 20 |
| PD08-G04 |    | 23   | 58   | 15   | 11  | G1/2 | 24 |
| PD10-G01 | 10 | 28   | 61   | 18.8 | 5.5 | G1/8 | 17 |
| PD10-G02 |    | 28   | 63   | 18.8 | 7.5 | G1/4 | 17 |
| PD10-G03 |    | 28   | 65   | 18.8 | 8.5 | G3/8 | 20 |
| PD10-G04 |    | 28   | 68   | 18.8 | 11  | G1/2 | 24 |
| PD12-G01 | 12 | 29.5 | 65   | 21   | 5.5 | G1/8 | 21 |
| PD12-G02 |    | 29.5 | 66.5 | 21   | 7.5 | G1/4 | 21 |
| PD12-G03 |    | 29.5 | 67.5 | 21   | 8.5 | G3/8 | 21 |
| PD12-G04 |    | 29.5 | 70   | 21   | 11  | G1/2 | 24 |
| PD16-G02 | 16 | 31   | 71   | 26   | 7.5 | G1/4 | 24 |
| PD16-G03 |    | 31   | 73   | 26   | 8.5 | G3/8 | 24 |
| PD16-G04 |    | 31   | 75   | 26   | 11  | G1/2 | 24 |

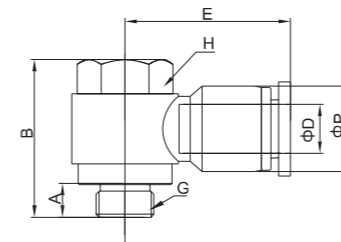
PX-G



Run Y

| Model    | ΦD | E    | B  | ΦP   | A   | G    | H  |
|----------|----|------|----|------|-----|------|----|
| PX04-G01 | 4  | 11   | 41 | 11   | 5.5 | G1/8 | 14 |
| PX04-G02 |    | 11   | 43 | 11   | 7.5 | G1/4 | 17 |
| PX06-G01 | 6  | 13.4 | 43 | 13.4 | 5.5 | G1/8 | 14 |
| PX06-G02 |    | 13.4 | 46 | 13.4 | 7.5 | G1/4 | 17 |
| PX06-G03 |    | 13.4 | 47 | 13.4 | 8.5 | G3/8 | 20 |
| PX06-G04 |    | 13.4 | 51 | 13.4 | 11  | G1/2 | 24 |
| PX08-G01 | 8  | 15   | 46 | 15   | 5.5 | G1/8 | 14 |
| PX08-G02 |    | 15   | 49 | 15   | 7.5 | G1/4 | 17 |
| PX08-G03 |    | 15   | 51 | 15   | 8.5 | G3/8 | 20 |
| PX08-G04 |    | 15   | 54 | 15   | 11  | G1/2 | 24 |
| PX10-G01 | 10 | 18.8 | 60 | 18.8 | 5.5 | G1/8 | 17 |
| PX10-G02 |    | 18.8 | 63 | 18.8 | 7.5 | G1/4 | 17 |
| PX10-G03 |    | 18.8 | 64 | 18.8 | 8.5 | G3/8 | 20 |
| PX10-G04 |    | 18.8 | 65 | 18.8 | 11  | G1/2 | 24 |
| PX12-G01 | 12 | 21   | 65 | 21   | 5.5 | G1/8 | 20 |
| PX12-G02 |    | 21   | 68 | 21   | 7.5 | G1/4 | 20 |
| PX12-G03 |    | 21   | 70 | 21   | 8.5 | G3/8 | 20 |
| PX12-G04 |    | 21   | 72 | 21   | 11  | G1/2 | 24 |

PH-G

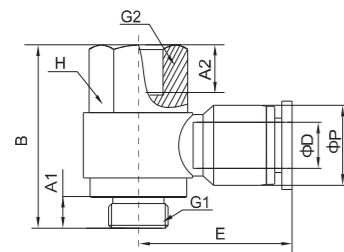


Single Banjo

| Model    | ΦD | E    | B    | ΦP   | A   | G    | H  |
|----------|----|------|------|------|-----|------|----|
| PH04-G01 | 4  | 22.5 | 26   | 11   | 5.5 | G1/8 | 12 |
| PH04-G02 |    | 24   | 23.5 | 11   | 7.5 | G1/4 | 14 |
| PH06-G01 | 6  | 23   | 23.5 | 13.4 | 5.5 | G1/8 | 12 |
| PH06-G02 |    | 25   | 26   | 13.4 | 7.5 | G1/4 | 14 |
| PH06-G03 |    | 27   | 31.5 | 13.4 | 8.5 | G3/8 | 19 |
| PH08-G01 | 8  | 25.5 | 23.5 | 15   | 5.5 | G1/8 | 12 |
| PH08-G02 |    | 28.5 | 26   | 15   | 7.5 | G1/4 | 14 |
| PH08-G03 |    | 29.5 | 31.5 | 15   | 8.5 | G3/8 | 19 |
| PH08-G04 |    | 32.5 | 38.5 | 15   | 11  | G1/2 | 24 |
| PH10-G01 | 10 | 30   | 23.5 | 18.8 | 5.5 | G1/8 | 12 |
| PH10-G02 |    | 32   | 26   | 18.8 | 7.5 | G1/4 | 14 |
| PH10-G03 |    | 33   | 31.5 | 18.8 | 8.5 | G3/8 | 19 |
| PH10-G04 |    | 36   | 38.5 | 18.8 | 11  | G1/2 | 24 |
| PH12-G02 | 12 | 34   | 26   | 21   | 7.5 | G1/4 | 14 |
| PH12-G03 |    | 35.5 | 31.5 | 21   | 8.5 | G3/8 | 19 |
| PH12-G04 |    | 36.5 | 38.5 | 21   | 11  | G1/2 | 24 |

PHF-G

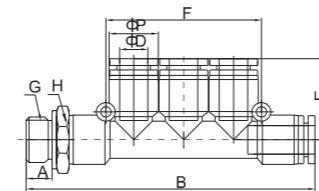
Connector Banjo



| Model     | ΦD | E    | B    | ΦP   | A1  | A2 | G1   | G2   | H  |
|-----------|----|------|------|------|-----|----|------|------|----|
| PHF04-G01 | 4  | 22.5 | 29.5 | 11   | 5.5 | 7  | G1/8 | G1/8 | 12 |
| PHF04-G02 |    | 24   | 34.5 | 11   | 7.5 | 10 | G1/4 | G1/4 | 17 |
| PHF06-G01 | 6  | 23   | 29.5 | 13.4 | 5.5 | 7  | G1/8 | G1/8 | 12 |
| PHF06-G02 |    | 25   | 34.5 | 13.4 | 7.5 | 10 | G1/4 | G1/4 | 17 |
| PHF06-G03 |    | 27   | 40.5 | 13.4 | 8.5 | 11 | G3/8 | G3/8 | 21 |
| PHF08-G01 | 8  | 25.5 | 29.5 | 15   | 5.5 | 7  | G1/8 | G1/8 | 12 |
| PHF08-G02 |    | 28.5 | 34.5 | 15   | 7.5 | 10 | G1/4 | G1/4 | 17 |
| PHF08-G03 |    | 29.5 | 40.5 | 15   | 8.5 | 11 | G3/8 | G3/8 | 21 |
| PHF08-G04 |    | 32.5 | 47.5 | 15   | 11  | 13 | G1/2 | G1/2 | 24 |
| PHF10-G01 | 10 | 30   | 34.5 | 18.8 | 5.5 | 7  | G1/8 | G1/8 | 12 |
| PHF10-G02 |    | 32   | 34.5 | 18.8 | 7.5 | 10 | G1/4 | G1/4 | 17 |
| PHF10-G03 |    | 33   | 40.5 | 18.8 | 8.5 | 11 | G3/8 | G3/8 | 21 |
| PHF10-G04 |    | 36   | 47.5 | 18.8 | 11  | 13 | G1/2 | G1/2 | 24 |
| PHF12-G02 | 12 | 34   | 34.5 | 21   | 7.5 | 10 | G1/4 | G1/4 | 17 |
| PHF12-G03 |    | 35.5 | 40.5 | 21   | 8.5 | 11 | G3/8 | G3/8 | 21 |
| PHF12-G04 |    | 36.5 | 47.5 | 21   | 11  | 13 | G1/2 | G1/2 | 24 |

PKB-G

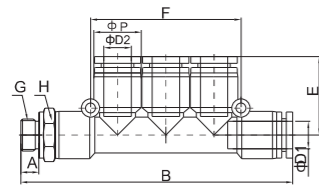
Branch Triple



| Model     | ΦD | B   | E    | A   | G    | F    | ΦP   | H  |
|-----------|----|-----|------|-----|------|------|------|----|
| PKB04-G01 | 4  | 63  | 19   | 5.5 | G1/8 | 35.8 | 13.4 | 14 |
| PKB04-G02 |    | 66  | 19   | 7.5 | G1/4 | 35.8 | 13.4 | 17 |
| PKB06-G01 | 6  | 70  | 20.2 | 5.5 | G1/8 | 42.8 | 15   | 14 |
| PKB06-G02 |    | 73  | 20.2 | 7.5 | G1/4 | 42.8 | 15   | 17 |
| PKB06-G03 |    | 75  | 20.2 | 8.5 | G3/8 | 42.8 | 15   | 20 |
| PKB08-G01 | 8  | 86  | 23.8 | 5.5 | G1/8 | 49.6 | 18.8 | 14 |
| PKB08-G02 |    | 89  | 23.8 | 7.5 | G1/4 | 49.6 | 18.8 | 17 |
| PKB08-G03 |    | 90  | 23.8 | 8.5 | G3/8 | 49.6 | 18.8 | 20 |
| PKB10-G02 | 10 | 101 | 29   | 7.5 | G1/4 | 59.6 | 21   | 17 |
| PKB10-G03 |    | 103 | 29   | 8.5 | G3/8 | 59.6 | 21   | 17 |
| PKB10-G04 |    | 106 | 29   | 11  | G1/2 | 59.6 | 21   | 24 |



PKD-G



Reduced Branch Triple

| Model        | ΦD1 | ΦD2 | B    | E    | A   | G    | F    | ΦP   | H  |
|--------------|-----|-----|------|------|-----|------|------|------|----|
| PKD06-04-G01 | 6   | 4   | 62   | 19   | 5.5 | G1/8 | 35.8 | 13.4 | 14 |
| PKD06-04-G02 |     |     | 65.5 | 19   | 7.5 | G1/4 | 35.8 | 13.4 | 17 |
| PKD08-06-G01 | 8   | 6   | 69   | 20.2 | 5.5 | G1/8 | 42.8 | 15   | 14 |
| PKD08-06-G02 |     |     | 72   | 20.2 | 7.5 | G1/4 | 42.8 | 15   | 17 |
| PKD08-06-G03 |     |     | 73   | 20.2 | 8.5 | G3/8 | 42.8 | 15   | 20 |
| PKD10-08-G01 | 10  | 8   | 85   | 23.8 | 5.5 | G1/8 | 49.6 | 18.8 | 14 |
| PKD10-08-G02 |     |     | 88   | 23.8 | 7.5 | G1/4 | 49.6 | 18.8 | 17 |
| PKD10-08-G03 |     |     | 90   | 23.8 | 8.5 | G3/8 | 49.6 | 18.8 | 20 |
| PKD12-10-G02 | 12  | 10  | 102  | 29   | 7.5 | G1/4 | 59.6 | 21   | 17 |
| PKD12-10-G03 |     |     | 103  | 29   | 8.5 | G3/8 | 59.6 | 21   | 17 |
| PKD12-10-G04 |     |     | 108  | 29   | 11  | G1/2 | 59.6 | 21   | 24 |

Inch Size-NPT Thread Type



**Specification**

|                   |                           |
|-------------------|---------------------------|
| Fluid             | Air, vacuum               |
| Pressure Range    | 0~1.0MPa                  |
| Negative Pressure | -100KPa(10Torr)           |
| Max Pressure      | 1.5MPa                    |
| Temperature Range | 0~60°C                    |
| Applicable Tube   | NYLON(PA)Polyurethane(PU) |

① **Type**

② **Tube Outer Diameter**

| Code                | Inch Size |       |      |       |      |      |
|---------------------|-----------|-------|------|-------|------|------|
|                     | 5/32      | 3/16  | 1/4  | 5/16  | 3/8  | 1/2  |
| Tube Outer Diameter | Φ5/32     | Φ3/16 | Φ1/4 | Φ5/16 | Φ3/8 | Φ1/2 |

**Characteristics**

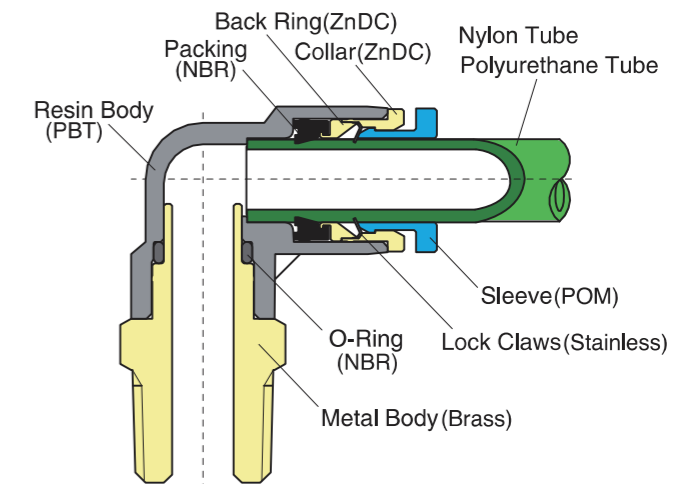
- 1.Quick installation, simple and flexible, space-saving.
2. The tube fitting comes in a wide variety of models to meet all your needs in pneumatic piping.
3. Even after installation, the direction of tubing can be changed freely.
4. The release ring adopts the ellipse design to make it more convenient and labor-saving for disconnection.
5. All taper threads are pre-coated with Teflon with fine seal performance.
6. All fittings are equipped with the internal hexagonal holes. It is easy for them to be mounted in the narrow places.

**Product Code System**

**PC 1/4 - N01**

- ①      ②      ③

**Structure Chart**

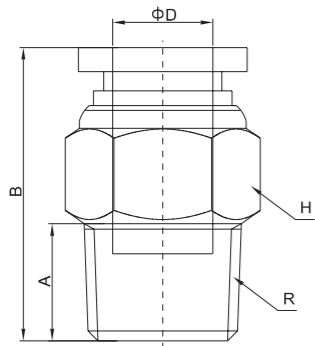


③ **Thread Type and Size**

| Code   | UNF      | American Standard taper pipe thread(NPT) |        |        |        |        |
|--------|----------|--|--------|--------|--------|--------|
|        | U10      | N01                                      | N02    | N02    | N04    | N06    |
| Thread | 10-32UNF | NPT1/8                                   | NPT1/4 | NPT3/8 | NPT1/2 | NPT3/4 |

**PC**

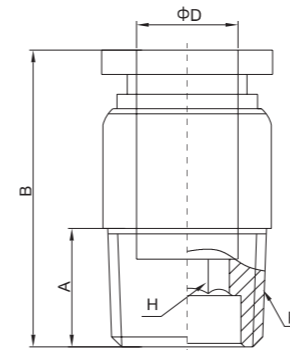
**Male Straight**



| Model      | ΦD   | R      | A    | B    | H     |
|------------|------|--------|------|------|-------|
| PC1/8-N01  | 1/8  | NPT1/8 | 7.5  | 20   | 7/16  |
| PC1/8-N02  |      | NPT1/4 | 10.5 | 20   | 9/16  |
| PC5/32-N01 | 5/32 | NPT1/8 | 7.5  | 20   | 7/16  |
| PC5/32-N02 |      | NPT1/4 | 10.5 | 21.5 | 9/16  |
| PC1/4-N01  | 1/4  | NPT1/8 | 7.5  | 21   | 1/2   |
| PC1/4-N02  |      | NPT1/4 | 10.5 | 22   | 9/16  |
| PC1/4-N03  |      | NPT3/8 | 11   | 22   | 11/16 |
| PC1/4-N04  |      | NPT1/2 | 14   | 25   | 7/8   |
| PC5/16-N01 | 5/16 | NPT1/8 | 7.5  | 25.5 | 9/16  |
| PC5/16-N02 |      | NPT1/4 | 10.5 | 25.5 | 9/16  |
| PC5/16-N03 |      | NPT3/8 | 11   | 23   | 11/16 |
| PC5/16-N04 |      | NPT1/2 | 14   | 26   | 7/8   |
| PC3/8-N01  | 3/8  | NPT1/8 | 7.5  | 30   | 11/16 |
| PC3/8-N02  |      | NPT1/4 | 10.5 | 32   | 11/16 |
| PC3/8-N03  |      | NPT3/8 | 11   | 29.5 | 11/16 |
| PC3/8-N04  |      | NPT1/2 | 14   | 27   | 7/8   |
| PC1/2-N01  | 1/2  | NPT1/8 | 7.5  | 31.5 | 7/8   |
| PC1/2-N02  |      | NPT1/4 | 10.5 | 33.5 | 7/8   |
| PC1/2-N03  |      | NPT3/8 | 11   | 30   | 7/8   |
| PC1/2-N04  |      | NPT1/2 | 14   | 28.5 | 7/8   |

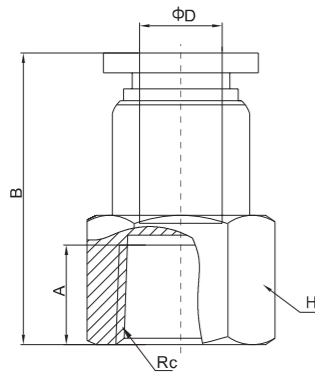
**POC**

**Hex. Holed Straight**



| Model       | ΦD   | R      | A    | B    | H    |
|-------------|------|--------|------|------|------|
| POC1/8-N01  | 1/8  | NPT1/8 | 7.5  | 20   | 3/32 |
| POC1/8-N02  |      | NPT1/4 | 10.5 | 20   | 3/32 |
| POC5/32-N01 | 5/32 | NPT1/8 | 7.5  | 20   | 3/32 |
| POC5/32-N02 |      | NPT1/4 | 10.5 | 21.5 | 3/32 |
| POC1/4-N01  | 1/4  | NPT1/8 | 7.5  | 21   | 5/32 |
| POC1/4-N02  |      | NPT1/4 | 10.5 | 22   | 5/32 |
| POC1/4-N03  |      | NPT3/8 | 11   | 22   | 5/32 |
| POC5/16-N01 | 5/16 | NPT1/8 | 7.5  | 25.5 | 3/16 |
| POC5/16-N02 |      | NPT1/4 | 10.5 | 25.5 | 7/32 |
| POC5/16-N03 |      | NPT3/8 | 11   | 23   | 7/32 |
| POC3/8-N01  | 3/8  | NPT1/8 | 7.5  | 30   | 7/32 |
| POC3/8-N02  |      | NPT1/4 | 10.5 | 32   | 7/32 |
| POC3/8-N03  |      | NPT3/8 | 11   | 29.5 | 5/16 |
| POC3/8-N04  |      | NPT1/2 | 14   | 27   | 5/16 |
| POC1/2-N02  | 1/2  | NPT1/4 | 10.5 | 33.5 | 1/4  |
| POC1/2-N03  |      | NPT3/8 | 11   | 30   | 5/16 |
| POC1/2-N04  |      | NPT1/2 | 14   | 28.5 | 5/16 |

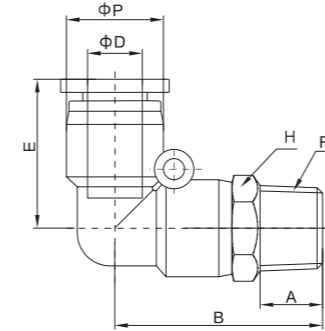
**PCF**



**Female Straight**

| Model       | ΦD   | Rc     | A    | B    | H     |
|-------------|------|--------|------|------|-------|
| PCF1/8-N01  | 1/8  | NPT1/8 | 8.5  | 25.5 | 9/16  |
| PCF1/8-N02  |      | NPT1/4 | 11.5 | 28.5 | 11/16 |
| PCF5/32-N01 | 5/32 | NPT1/8 | 8.5  | 25.5 | 9/16  |
| PCF5/32-N02 |      | NPT1/4 | 11.5 | 28.5 | 11/16 |
| PCF1/4-N01  | 1/4  | NPT1/8 | 8.5  | 27.5 | 9/16  |
| PCF1/4-N02  |      | NPT1/4 | 11.5 | 29.5 | 11/16 |
| PCF1/4-N03  |      | NPT3/8 | 12   | 31.5 | 7/8   |
| PCF5/16-N01 | 5/16 | NPT1/8 | 8.5  | 27.5 | 9/16  |
| PCF5/16-N02 |      | NPT1/4 | 11.5 | 31.5 | 11/16 |
| PCF5/16-N03 |      | NPT3/8 | 12   | 31.5 | 7/8   |
| PCF5/16-N04 |      | NPT1/2 | 15   | 33.5 | 7/8   |
| PCF3/8-N01  | 3/8  | NPT1/8 | 8.5  | 31.5 | 9/16  |
| PCF3/8-N02  |      | NPT1/4 | 11.5 | 34.5 | 11/16 |
| PCF3/8-N03  |      | NPT3/8 | 12   | 35.5 | 7/8   |
| PCF3/8-N04  |      | NPT1/2 | 15   | 37.5 | 7/8   |
| PCF1/2-N02  | 1/2  | NPT1/4 | 11.5 | 35   | 7/8   |
| PCF1/2-N03  |      | NPT3/8 | 12   | 36   | 7/8   |
| PCF1/2-N04  |      | NPT1/2 | 15   | 38   | 7/8   |

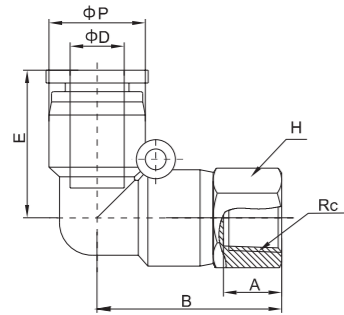
**PL**



**Male Elbow**

| Model      | ΦD   | E    | B    | ΦP   | A    | R      | H     |
|------------|------|------|------|------|------|--------|-------|
| PL1/8-N01  | 1/8  | 18   | 23.2 | 11   | 7.5  | NPT1/8 | 7/16  |
| PL1/8-N02  |      | 18   | 25.8 | 11   | 10.5 | NPT1/4 | 9/16  |
| PL5/32-0N1 | 5/32 | 18   | 23.2 | 11   | 7.5  | NPT1/8 | 7/16  |
| PL5/32-N02 |      | 18   | 25.8 | 11   | 10.5 | NPT1/4 | 9/16  |
| PL1/4-N01  | 1/4  | 19   | 26.2 | 13.4 | 7.5  | NPT1/8 | 1/2   |
| PL1/4-N02  |      | 19   | 29.2 | 13.4 | 10.5 | NPT1/4 | 9/16  |
| PL1/4-N03  |      | 19   | 30.2 | 13.4 | 11   | NPT3/8 | 11/16 |
| PL1/4-N04  |      | 19   | 34.7 | 13.4 | 14   | NPT1/2 | 7/8   |
| PL5/16-N01 | 5/16 | 23   | 29.5 | 15   | 7.5  | NPT1/8 | 9/16  |
| PL5/16-N02 |      | 23   | 33   | 15   | 10.5 | NPT1/4 | 9/16  |
| PL5/16-N03 |      | 23   | 34   | 15   | 11   | NPT3/8 | 11/16 |
| PL5/16-N04 |      | 23   | 37   | 15   | 14   | NPT1/2 | 7/8   |
| PL3/8-N01  | 3/8  | 27.5 | 34.3 | 18.8 | 7.5  | NPT1/8 | 11/16 |
| PL3/8-N02  |      | 27.5 | 37.3 | 18.8 | 10.5 | NPT1/4 | 11/16 |
| PL3/8-N03  |      | 27.5 | 38.8 | 18.8 | 11   | NPT3/8 | 11/16 |
| PL3/8-N04  |      | 27.5 | 41.5 | 18.8 | 14   | NPT1/2 | 7/8   |
| PL1/2-N01  | 1/2  | 29.5 | 37.5 | 21   | 7.5  | NPT1/8 | 7/8   |
| PL1/2-N02  |      | 29.5 | 39.5 | 21   | 10.5 | NPT1/4 | 7/8   |
| PL1/2-N03  |      | 29.5 | 40   | 21   | 11   | NPT3/8 | 7/8   |
| PL1/2-N04  |      | 29.5 | 45   | 21   | 14   | NPT1/2 | 7/8   |

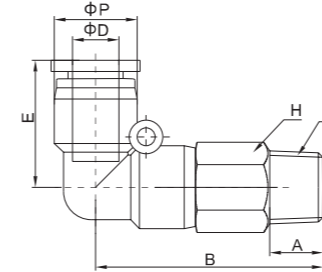
**PLF**



**Female Elbow**

| Model       | ΦD   | E    | B    | ΦP   | A    | R      | H     |
|-------------|------|------|------|------|------|--------|-------|
| PLF1/8-N01  | 1/8  | 18   | 22.2 | 11   | 7.5  | NPT1/8 | 9/16  |
| PLF1/8-N02  |      | 18   | 25.5 | 11   | 10.5 | NPT1/4 | 11/16 |
| PLF5/32-N01 | 5/32 | 18   | 22.2 | 11   | 7.5  | NPT1/8 | 9/16  |
| PLF5/32-N02 |      | 18   | 25.5 | 11   | 10.5 | NPT1/4 | 11/16 |
| PLF1/4-N01  | 1/4  | 19   | 26.2 | 13.4 | 7.5  | NPT1/8 | 9/16  |
| PLF1/4-N02  |      | 19   | 28.2 | 13.4 | 10.5 | NPT1/4 | 11/16 |
| PLF1/4-N03  |      | 19   | 29.8 | 13.4 | 11   | NPT3/8 | 7/8   |
| PLF1/4-N04  |      | 19   | 31.8 | 13.4 | 14   | NPT1/2 | 7/8   |
| PLF5/16-N01 | 5/16 | 23   | 28.5 | 15   | 7.5  | NPT1/8 | 9/16  |
| PLF5/16-N02 |      | 23   | 32   | 15   | 10.5 | NPT1/4 | 11/16 |
| PLF5/16-N03 |      | 23   | 33   | 15   | 11   | NPT3/8 | 7/8   |
| PLF5/16-N04 |      | 23   | 35   | 15   | 14   | NPT1/2 | 7/8   |
| PLF3/8-N01  | 3/8  | 27.5 | 32.8 | 18.8 | 7.5  | NPT1/8 | 11/16 |
| PLF3/8-N02  |      | 27.5 | 36   | 18.8 | 10.5 | NPT1/4 | 11/16 |
| PLF3/8-N03  |      | 27.5 | 37   | 18.8 | 11   | NPT3/8 | 7/8   |
| PLF3/8-N04  |      | 27.5 | 39   | 18.8 | 14   | NPT1/2 | 7/8   |
| PLF1/2-N01  | 1/2  | 29.5 | 34.5 | 21   | 7.5  | NPT1/8 | 7/8   |
| PLF1/2-N02  |      | 29.5 | 38   | 21   | 10.5 | NPT1/4 | 7/8   |
| PLF1/2-N03  |      | 29.5 | 39   | 21   | 11   | NPT3/8 | 7/8   |
| PLF1/2-N04  |      | 29.5 | 41   | 21   | 14   | NPT1/2 | 7/8   |

**PLL**

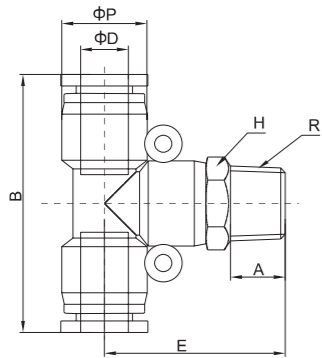


**Male Long Elbow**

| Model       | ΦD   | E    | B    | ΦP   | A    | R      | H     |
|-------------|------|------|------|------|------|--------|-------|
| PLL1/8-N01  | 1/8  | 18   | 33   | 11   | 7.5  | NPT1/8 | 7/16  |
| PLL1/8-N02  |      | 18   | 35   | 11   | 10.5 | NPT1/4 | 9/16  |
| PLL5/32-N01 | 5/32 | 18   | 33   | 11   | 7.5  | NPT1/8 | 7/16  |
| PLL5/32-N02 |      | 18   | 35   | 11   | 10.5 | NPT1/4 | 9/16  |
| PLL1/4-N01  | 1/4  | 19   | 38.5 | 13.4 | 7.5  | NPT1/8 | 1/2   |
| PLL1/4-N02  |      | 19   | 41   | 13.4 | 10.5 | NPT1/4 | 9/16  |
| PLL1/4-N03  |      | 19   | 42.5 | 13.4 | 11   | NPT3/8 | 11/16 |
| PLL1/4-N04  |      | 19   | 46   | 13.4 | 14   | NPT1/2 | 7/8   |
| PLL5/16-N01 | 5/16 | 23   | 43.5 | 15   | 7.5  | NPT1/8 | 9/16  |
| PLL5/16-N02 |      | 23   | 45.5 | 15   | 10.5 | NPT1/4 | 9/16  |
| PLL5/16-N03 |      | 23   | 47.5 | 15   | 11   | NPT3/8 | 11/16 |
| PLL5/16-N04 |      | 23   | 51   | 15   | 14   | NPT1/2 | 7/8   |
| PLL3/8-N01  | 3/8  | 27.5 | 53   | 18.8 | 7.5  | NPT1/8 | 11/16 |
| PLL3/8-N02  |      | 27.5 | 55   | 18.8 | 10.5 | NPT1/4 | 11/16 |
| PLL3/8-N03  |      | 27.5 | 56   | 18.8 | 11   | NPT3/8 | 11/16 |
| PLL3/8-N04  |      | 27.5 | 59.5 | 18.8 | 14   | NPT1/2 | 7/8   |
| PLL1/2-N01  | 1/2  | 29.5 | 60   | 21   | 7.5  | NPT1/8 | 7/8   |
| PLL1/2-N02  |      | 29.5 | 60.5 | 21   | 10.5 | NPT1/4 | 7/8   |
| PLL1/2-N03  |      | 29.5 | 61.5 | 21   | 11   | NPT3/8 | 7/8   |
| PLL1/2-N04  |      | 29.5 | 65   | 21   | 14   | NPT1/2 | 7/8   |

**PB**

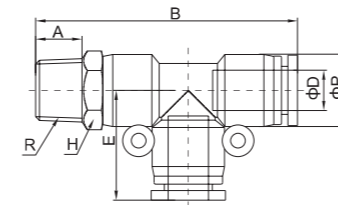
**Branch Tee**



| Model      | ΦD   | E      | B    | ΦP   | A    | R      | H     |
|------------|------|--------|------|------|------|--------|-------|
| PB1/8-N01  | 1/8  | 25.5   | 36.5 | 11   | 7.5  | NPT1/8 | 7/16  |
| PB1/8-N02  |      | 28.5   | 36.5 | 11   | 10.5 | NPT1/4 | 9/16  |
| PB5/32-0N1 | 5/32 | 25.5   | 36.5 | 11   | 7.5  | NPT1/8 | 7/16  |
| PB5/32-N02 |      | 28.5   | 36.5 | 11   | 10.5 | NPT1/4 | 9/16  |
| PB1/4-N01  | 1/4  | 26.5   | 38.5 | 13.4 | 7.5  | NPT1/8 | 1/2   |
| PB1/4-N02  |      | 29.5   | 38.5 | 13.4 | 10.5 | NPT1/4 | 9/16  |
| PB1/4-N03  |      | 30.5   | 38.5 | 13.4 | 11   | NPT3/8 | 11/16 |
| PB1/4-N04  |      | 35     | 38.5 | 13.4 | 14   | NPT1/2 | 7/8   |
| PB5/16-N01 | 5/16 | 29     | 45.5 | 15   | 7.5  | NPT1/8 | 9/16  |
| PB5/16-N02 |      | 33     | 45.5 | 15   | 10.5 | NPT1/4 | 9/16  |
| PB5/16-N03 |      | 34     | 45.5 | 15   | 11   | NPT3/8 | 11/16 |
| PB5/16-N04 |      | 37     | 45.5 | 15   | 14   | NPT1/2 | 7/8   |
| PB3/8-N01  | 3/8  | 35     | 56   | 18.8 | 7.5  | NPT1/8 | 11/16 |
| PB3/8-N02  |      | 38     | 56   | 18.8 | 10.5 | NPT1/4 | 11/16 |
| PB3/8-N03  |      | 38.5   | 56   | 18.8 | 11   | NPT3/8 | 11/16 |
| PB3/8-N04  |      | 42.5   | 56   | 18.8 | 14   | NPT1/2 | 7/8   |
| PB1/2-N01  | 1/2  | 37.5.5 | 59   | 21   | 7.5  | NPT1/8 | 7/8   |
| PB1/2-N02  |      | 39.5   | 59   | 21   | 10.5 | NPT1/4 | 7/8   |
| PB1/2-N03  |      | 42     | 59   | 21   | 11   | NPT3/8 | 7/8   |
| PB1/2-N04  |      | 43     | 59   | 21   | 14   | NPT1/2 | 7/8   |

**PD**

**Run Tee**



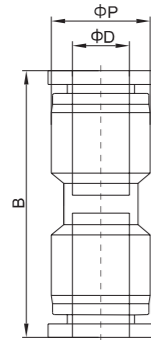
| Model      | ΦD   | E    | B    | ΦP   | A    | R      | H     |
|------------|------|------|------|------|------|--------|-------|
| PD1/8-N01  | 1/8  | 18   | 41.5 | 11   | 7.5  | NPT1/8 | 7/16  |
| PD1/8-N02  |      | 18   | 44   | 11   | 10.5 | NPT1/4 | 9/16  |
| PD5/32-0N1 | 5/32 | 18   | 41.5 | 11   | 7.5  | NPT1/8 | 7/16  |
| PD5/32-N02 |      | 18   | 44   | 11   | 10.5 | NPT1/4 | 9/16  |
| PD1/4-N01  | 1/4  | 19   | 46   | 13.4 | 7.5  | NPT1/8 | 1/2   |
| PD1/4-N02  |      | 19   | 48.5 | 13.4 | 10.5 | NPT1/4 | 9/16  |
| PD1/4-N03  |      | 19   | 49.5 | 13.4 | 11   | NPT3/8 | 11/16 |
| PD1/4-N04  |      | 19   | 54   | 13.4 | 14   | NPT1/2 | 7/8   |
| PD5/16-N01 | 5/16 | 23   | 52.5 | 15   | 7.5  | NPT1/8 | 9/16  |
| PD5/16-N02 |      | 23   | 56   | 15   | 10.5 | NPT1/4 | 9/16  |
| PD5/16-N03 |      | 23   | 57   | 15   | 11   | NPT3/8 | 11/16 |
| PD5/16-N04 |      | 23   | 60   | 15   | 14   | NPT1/2 | 7/8   |
| PD3/8-N01  | 3/8  | 28   | 63   | 18.8 | 7.5  | NPT1/8 | 11/16 |
| PD3/8-N02  |      | 28   | 66   | 18.8 | 10.5 | NPT1/4 | 11/16 |
| PD3/8-N03  |      | 28   | 67.5 | 18.8 | 11   | NPT3/8 | 11/16 |
| PD3/8-N04  |      | 28   | 70   | 18.8 | 14   | NPT1/2 | 7/8   |
| PD1/2-N01  | 1/2  | 29.5 | 67   | 21   | 7.5  | NPT1/8 | 7/8   |
| PD1/2-N02  |      | 29.5 | 69   | 21   | 10.5 | NPT1/4 | 7/8   |
| PD1/2-N03  |      | 29.5 | 69.5 | 21   | 11   | NPT3/8 | 7/8   |
| PD1/2-N04  |      | 29.5 | 72.5 | 21   | 14   | NPT1/2 | 7/8   |

**PU**

**Union Straight**



| Model  | ΦD   | B    | ΦP   |
|--------|------|------|------|
| PU1/8  | 1/8  | 32   | 11   |
| PU5/32 | 5/32 | 32.5 | 11   |
| PU1/4  | 1/4  | 35   | 13.4 |
| PU5/16 | 5/16 | 39   | 15   |
| PU3/8  | 3/8  | 47   | 18.8 |
| PU1/2  | 1/2  | 48.5 | 21   |

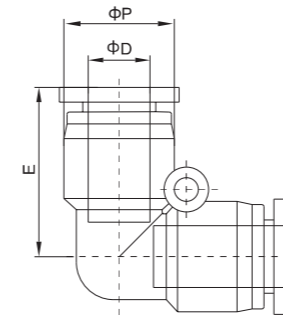


**PV**

**Union Elbow**



| Model  | ΦD   | B    | ΦP   |
|--------|------|------|------|
| PV1/8  | 1/8  | 17.5 | 11   |
| PV5/32 | 5/32 | 18   | 11   |
| PV1/4  | 1/4  | 19   | 13.4 |
| PV5/16 | 5/16 | 23   | 15   |
| PV3/8  | 3/8  | 27.5 | 18.8 |
| PV1/2  | 1/2  | 29.5 | 21   |

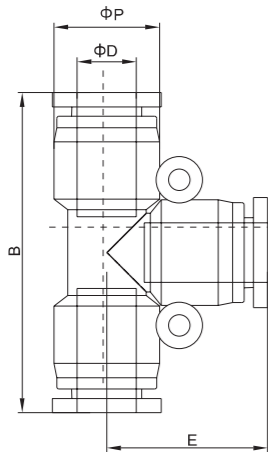


PE



Union Tee

| Model  | ΦD   | B    | ΦP   | E    |
|--------|------|------|------|------|
| PE1/8  | 1/8  | 36   | 11   | 18   |
| PE5/32 | 5/32 | 36.5 | 11   | 18   |
| PE1/4  | 1/4  | 38.5 | 13.4 | 19   |
| PE5/16 | 5/16 | 45.5 | 15   | 23   |
| PE3/8  | 3/8  | 56   | 18.8 | 28   |
| PE1/2  | 1/2  | 58.5 | 21   | 39.5 |



Pneumatic Mini Type Push In Fittings





**Specification**

|                   |                           |
|-------------------|---------------------------|
| Fluid             | Air, vacuum               |
| Pressure Range    | 0~1.0MPa                  |
| Negative Pressure | -100KPa(10Torr)           |
| Max Pressure      | 1.5MPa                    |
| Temperature Range | 0~60°C                    |
| Applicable Tube   | NYLON(PA)Polyurethane(PU) |

① **Type**

② **Tube Outer Diameter**

|                     | Metric Size |    |    |
|---------------------|-------------|----|----|
| Code                | 03          | 04 | 06 |
| Tube Outer Diameter | Φ3          | Φ4 | Φ6 |

**Characteristics**

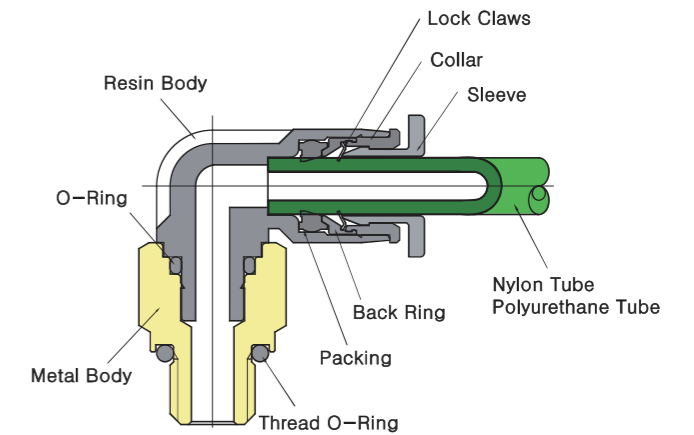
- 1.The smallest pneumatic fittings in the world. In fact,the volume is 40% less and the outside diameter is 20% less in comparison to those of the standard type.
2. Compact One-Touch Fittings are specially designed for pneumatic installations in equipment that are small and compact in size.

**Product Code System**

**Structure Chart**

**PC-C 03 - M3C**

①      ②      ③

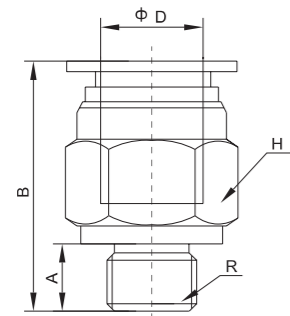


③ **Thread Type and Size**

|        | Metric Size |        |        |      |
|--------|-------------|--------|--------|------|
| Code   | M3C         | M5C    | M6C    | 01C  |
| Thread | M3x0.5      | M5x0.8 | M6x1.0 | R1/8 |

### PC-C

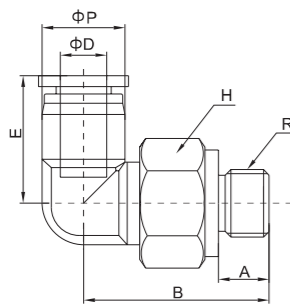
#### Male Straight



| Model    | ΦD | R      | A   | B    | H   |
|----------|----|--------|-----|------|-----|
| PC03-M3C | 3  | M3*0.5 | 3   | 15   | 5.5 |
| PC03-M5C |    | M5*0.8 | 3.5 | 15.6 | 8   |
| PC03-M6C |    | M6*1   | 3.9 | 15.9 | 8   |
| PC04-M3C | 4  | M3*0.5 | 3   | 17   | 5.5 |
| PC04-M5C |    | M5*0.8 | 3.5 | 17   | 8   |
| PC04-M6C |    | M6*1   | 3.9 | 17.4 | 8   |
| PC06-M5C | 6  | M5*0.8 | 3.5 | 17.6 | 8   |
| PC06-M6C |    | M6*1   | 3.9 | 18   | 8   |
| PC06-01C |    | R1/8   | 7   | 20   | 10  |

### PL-C

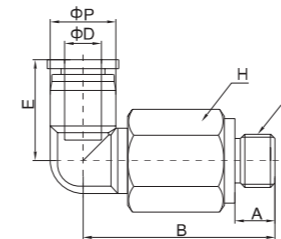
#### Male Elbow



| Model    | ΦD | R      | A   | ΦP   | E    | B    | H   |
|----------|----|--------|-----|------|------|------|-----|
| PL03-M3C | 3  | M3*0.5 | 3   | 6.2  | 11.1 | 15   | 5.5 |
| PL03-M5C |    | M5*0.8 | 3.5 | 6.2  | 11.1 | 15.6 | 8   |
| PL03-M6C |    | M6*1   | 3.9 | 6.2  | 11.1 | 15.9 | 8   |
| PL04-M3C | 4  | M3*0.5 | 3   | 8.1  | 15.9 | 17   | 5.5 |
| PL04-M5C |    | M5*0.8 | 3.5 | 8.1  | 15.9 | 17   | 8   |
| PL04-M6C |    | M6*1   | 3.9 | 8.1  | 15.9 | 17.4 | 8   |
| PL06-M5C | 6  | M5*0.8 | 3.5 | 10.7 | 16.4 | 17.6 | 8   |
| PL06-M6C |    | M6*1   | 3.9 | 10.7 | 16.4 | 18   | 8   |
| PL06-01C |    | R1/8   | 7   | 10.7 | 16.4 | 20   | 10  |

### PLL-C

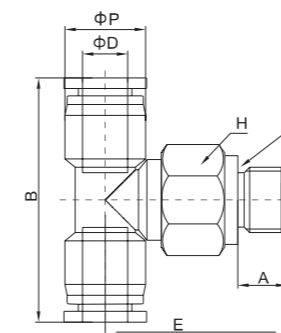
#### Male Long Elbow



| Model     | ΦD | R      | A   | ΦP   | E    | B    | H   |
|-----------|----|--------|-----|------|------|------|-----|
| PLL03-M3C | 3  | M3*0.5 | 3   | 6.2  | 11.1 | 22.4 | 5.5 |
| PLL03-M5C |    | M5*0.8 | 3.5 | 6.2  | 11.1 | 21.7 | 8   |
| PLL03-M6C |    | M6*1   | 3.9 | 6.2  | 11.1 | 27.8 | 8   |
| PLL04-M3C | 4  | M3*0.5 | 3   | 8.1  | 15.9 | 28.4 | 5.5 |
| PLL04-M5C |    | M5*0.8 | 3.5 | 8.1  | 15.9 | 27.2 | 8   |
| PLL04-M6C |    | M6*1   | 3.9 | 8.1  | 15.9 | 27.6 | 8   |
| PLL06-M5C | 6  | M5*0.8 | 3.5 | 10.7 | 16.4 | 28.2 | 8   |
| PLL06-M6C |    | M6*1   | 3.9 | 10.7 | 16.4 | 34.3 | 8   |
| PLL06-01C |    | R1/8   | 7   | 10.7 | 16.4 | 38.8 | 10  |

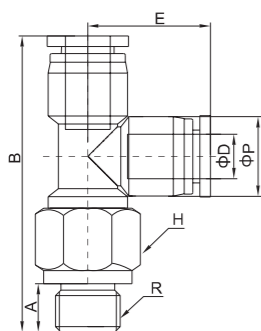
### PB-C

#### Branch Tee



| Model    | ΦD | E    | B    | ΦP   | A   | R      | H   |
|----------|----|------|------|------|-----|--------|-----|
| PB03-M3C | 3  | 12.4 | 22.8 | 6.2  | 3   | M3*0.5 | 5.5 |
| PB03-M5C |    | 13.5 | 22.8 | 6.2  | 3.5 | M5*0.8 | 8   |
| PB03-M6C |    | 15.5 | 22.8 | 6.2  | 3.9 | M6*1   | 8   |
| PB04-M3C | 4  | 14.5 | 28.2 | 8.1  | 3   | M3*0.5 | 5.5 |
| PB04-M5C |    | 15   | 28.2 | 8.1  | 3.5 | M5*0.8 | 8   |
| PB04-M6C |    | 15.5 | 28.2 | 8.1  | 3.9 | M6*1   | 8   |
| PB06-M5C | 6  | 15.5 | 32.2 | 10.7 | 3.5 | M5*0.8 | 8   |
| PB06-M6C |    | 16.5 | 32.2 | 10.7 | 3.9 | M6*1   | 8   |
| PB06-01C |    | 17.4 | 32.2 | 10.7 | 7   | R1/8   | 10  |

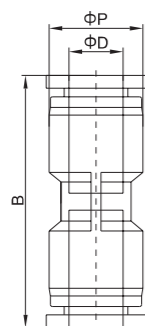
**PD-C**



**Run Tee**

| Model    | ΦD | E    | B    | ΦP   | A   | R      | H   |
|----------|----|------|------|------|-----|--------|-----|
| PD03-M3C | 3  | 11.4 | 22.6 | 6.2  | 3   | M3*0.5 | 5.5 |
| PD03-M5C |    | 11.4 | 24.7 | 6.2  | 3.5 | M5*0.8 | 8   |
| PD03-M6C |    | 11.4 | 26.7 | 6.2  | 3.9 | M6*1   | 8   |
| PD04-M3C | 4  | 14.1 | 28.1 | 8.1  | 3   | M3*0.5 | 5.5 |
| PD04-M5C |    | 14.1 | 28.6 | 8.1  | 3.5 | M5*0.8 | 8   |
| PD04-M6C |    | 14.1 | 29   | 8.1  | 3.9 | M6*1   | 8   |
| PD06-M5C | 6  | 16.1 | 30.8 | 10.7 | 3.5 | M5*0.8 | 8   |
| PD06-M6C |    | 16.1 | 31.5 | 10.7 | 3.9 | M6*1   | 8   |
| PD06-01C |    | 16.1 | 32.4 | 10.7 | 7   | R1/8   | 10  |

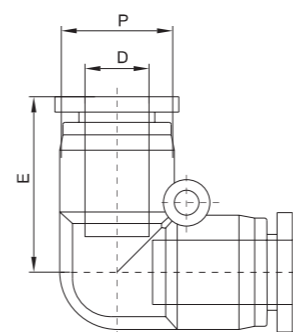
**PU-C**



**Union Straight**

| Model | ΦD | B    | ΦP   |
|-------|----|------|------|
| PU3C  | 3  | 19.8 | 6.2  |
| PU4C  | 4  | 25   | 8.1  |
| PU6C  | 6  | 25.6 | 10.7 |

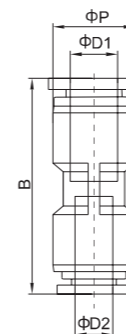
**PV-C**



**Union Elbow**

| Model | ΦD | B    | ΦP   |
|-------|----|------|------|
| PV3C  | 3  | 11.6 | 6.2  |
| PV4C  | 4  | 15.5 | 8.1  |
| PV6C  | 6  | 18.4 | 10.7 |

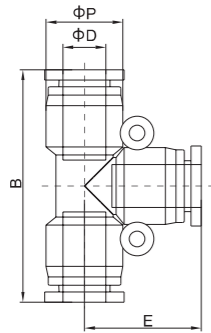
**PG-C**



**Unequal Union Straight**

| Model  | ΦD1 | ΦD2 | B    | ΦP   |
|--------|-----|-----|------|------|
| PG04-3 | 4   | 3   | 24.5 | 8.1  |
| PG06-4 | 6   | 4   | 25.5 | 10.7 |

PE-C



Union Tee

| Model | ΦD | B    | ΦP   | E    |
|-------|----|------|------|------|
| PE3C  | 3  | 22.8 | 6.2  | 11.4 |
| PE4C  | 4  | 28.2 | 8.1  | 14.1 |
| PE6C  | 6  | 32.2 | 10.7 | 16.1 |

Throttle Valve



**Specification**

|                   |                           |
|-------------------|---------------------------|
| Fluid             | Air, vacuum               |
| Pressure Range    | 0~1.0MPa                  |
| Negative Pressure | -100KPa(10Torr)           |
| Max Pressure      | 1.5MPa                    |
| Temperature Range | 0~60°C                    |
| Applicable Tube   | NYLON(PA)Polyurethane(PU) |

① **Type**

② **Tube Outer Diameter**

|                     | Metric Size |    |    |     |     |     |
|---------------------|-------------|----|----|-----|-----|-----|
| Code                | 04          | 06 | 08 | 10  | 12  | 16  |
| Tube Outer Diameter | Φ4          | Φ6 | Φ8 | Φ10 | Φ12 | Φ16 |

③ **Thread Type and Size**

|        | 55° Taper Pipe Thread |      |      |      |      |
|--------|-----------------------|------|------|------|------|
| Code   | 01                    | 02   | 03   | 04   | 06   |
| Thread | R1/8                  | R1/4 | R3/8 | R1/2 | R3/4 |

|        | 55° G-Thread |      |      |      |
|--------|--------------|------|------|------|
| Code   | G01          | G02  | G03  | G04  |
| Thread | G1/8         | G1/4 | G3/8 | G1/2 |

|        | Metric Size |      |      |       |
|--------|-------------|------|------|-------|
| Code   | M5          | M6   | M8   | M10   |
| Thread | M5x0.8      | M6x1 | M8x1 | M10x1 |

**Characteristics**

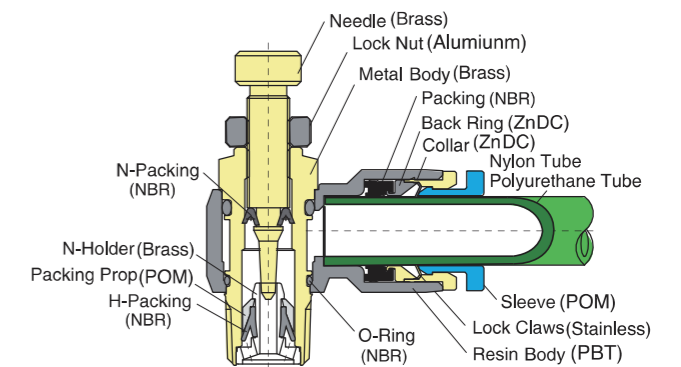
- 1.Speed Controllers precisely permit the optimal rate of airflow for the smooth cylinder movement of a driving device.
- 2.Unidirectional airflow is available for either exhaust or inlet flow control methods.

**Product Code System**

**SC 08 - 01**

①      ②      ③

**Structure Chart**



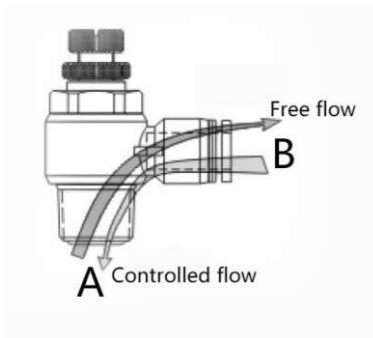
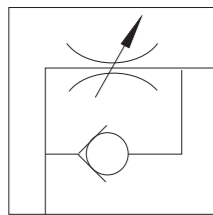
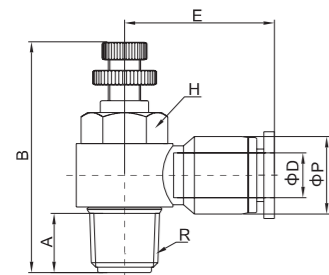
| Inch Size |       |      |       |      |      |
|-----------|-------|------|-------|------|------|
| 5/32      | 3/16  | 1/4  | 5/16  | 3/8  | 1/2  |
| Φ5/32     | Φ3/16 | Φ1/4 | Φ5/16 | Φ3/8 | Φ1/2 |

|        | UNF      | American Standand taper pipe thread(NPT) |        |        |        |        |
|--------|----------|--|--------|--------|--------|--------|
| Code   | U10      | N01                                      | N02    | N02    | N04    | N06    |
| Thread | 10-32UNF | NPT1/8                                   | NPT1/4 | NPT3/8 | NPT1/2 | NPT3/4 |

| Metric Size |          |         |         |         |
|-------------|----------|---------|---------|---------|
| M12         | M12A     | M14     | M16     | M20     |
| M12x1.25    | M12Ax1.5 | M14x1.5 | M16x1.5 | M20x1.5 |

SC

Control-in

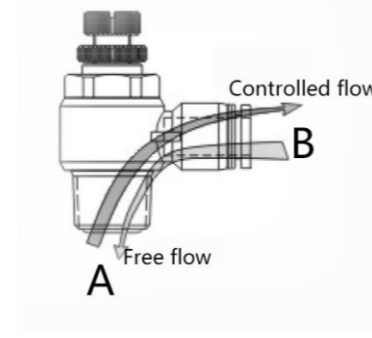
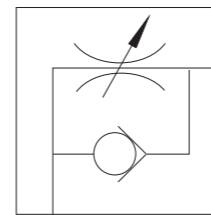
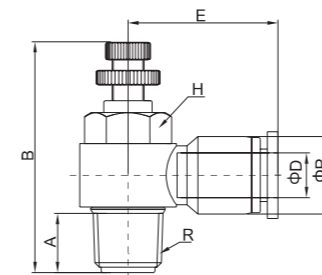


**Limited-in:**  
Controlled air flow from B to A  
Free air flow from A to B

| Model      | ΦD | E    | B    | ΦP   | A   | G    | H  |
|------------|----|------|------|------|-----|------|----|
| Limited-in |    |      |      |      |     |      |    |
| SC04-M5B   | 4  | 20   | 28   | 11   | 3.8 | M5   | 8  |
| SC04-01B   |    | 22.3 | 37   | 11   | 7.5 | R1/8 | 12 |
| SC04-02B   |    | 24.1 | 44.5 | 11   | 11  | R1/4 | 14 |
| SC06-M5B   | 6  | 21.9 | 28   | 13.4 | 3.5 | M5   | 8  |
| SC06-01B   |    | 23.1 | 37   | 13.4 | 7.5 | R1/8 | 12 |
| SC06-02B   |    | 25   | 44.5 | 13.4 | 11  | R1/4 | 14 |
| SC06-03B   |    | 26.9 | 48   | 13.4 | 12  | R3/8 | 19 |
| SC06-04B   |    | 29.8 | 52.5 | 13   | 13  | R1/2 | 24 |
| SC08-01B   | 8  | 25.6 | 37   | 15   | 7.5 | R1/8 | 12 |
| SC08-02B   |    | 28.5 | 44.5 | 15   | 11  | R1/4 | 14 |
| SC08-03B   |    | 29.6 | 48   | 15   | 12  | R3/8 | 19 |
| SC08-04B   |    | 32.5 | 52.5 | 15   | 13  | R1/2 | 24 |
| SC10-01B   | 10 | 30.1 | 37   | 18.8 | 7.5 | R1/8 | 12 |
| SC10-02B   |    | 32.3 | 44.5 | 18.8 | 11  | R1/4 | 14 |
| SC10-03B   |    | 32.9 | 48   | 18.8 | 12  | R3/8 | 19 |
| SC10-04B   |    | 35.8 | 52.5 | 18.8 | 13  | R1/2 | 24 |
| SC12-02B   | 12 | 33.5 | 44.5 | 21   | 11  | R1/4 | 14 |
| SC12-03B   |    | 35.6 | 48   | 21   | 12  | R3/8 | 19 |
| SC12-04B   |    | 36.5 | 52.5 | 21   | 13  | R1/2 | 24 |

SC

Control-out

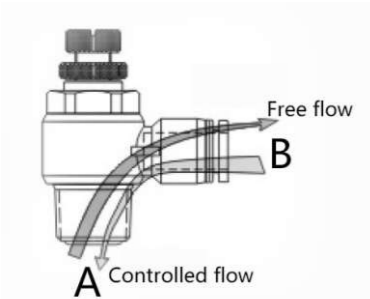
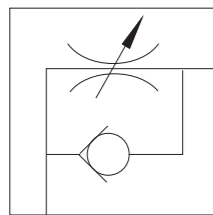
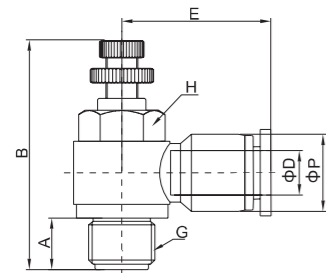


**Limited-out:**  
Controlled air flow from A to B,  
Free air flow from B to A

| Model       | ΦD | E    | B    | ΦP   | A   | G    | H  |
|-------------|----|------|------|------|-----|------|----|
| Limited-out |    |      |      |      |     |      |    |
| SC04-M5     | 4  | 20   | 28   | 11   | 3.8 | M5   | 8  |
| SC04-01     |    | 22.3 | 37   | 11   | 7.5 | R1/8 | 12 |
| SC04-02     |    | 24.1 | 44.5 | 11   | 11  | R1/4 | 14 |
| SC06-M5     | 6  | 21.9 | 28   | 13.4 | 3.5 | M5   | 8  |
| SC06-01     |    | 23.1 | 37   | 13.4 | 7.5 | R1/8 | 12 |
| SC06-02     |    | 25   | 44.5 | 13.4 | 11  | R1/4 | 14 |
| SC06-03     |    | 26.9 | 48   | 13.4 | 12  | R3/8 | 19 |
| SC06-04     |    | 29.8 | 52.5 | 13   | 13  | R1/2 | 24 |
| SC08-01     | 8  | 25.6 | 37   | 15   | 7.5 | R1/8 | 12 |
| SC08-02     |    | 28.5 | 44.5 | 15   | 11  | R1/4 | 14 |
| SC08-03     |    | 29.6 | 48   | 15   | 12  | R3/8 | 19 |
| SC08-04     |    | 32.5 | 52.5 | 15   | 13  | R1/2 | 24 |
| SC10-01     | 10 | 30.1 | 37   | 18.8 | 7.5 | R1/8 | 12 |
| SC10-02     |    | 32.3 | 44.5 | 18.8 | 11  | R1/4 | 14 |
| SC10-03     |    | 32.9 | 48   | 18.8 | 12  | R3/8 | 19 |
| SC10-04     |    | 35.8 | 52.5 | 18.8 | 13  | R1/2 | 24 |
| SC12-02     | 12 | 33.5 | 44.5 | 21   | 11  | R1/4 | 14 |
| SC12-03     |    | 35.6 | 48   | 21   | 12  | R3/8 | 19 |
| SC12-04     |    | 36.5 | 52.5 | 21   | 13  | R1/2 | 24 |

### SC-G

#### Control-in

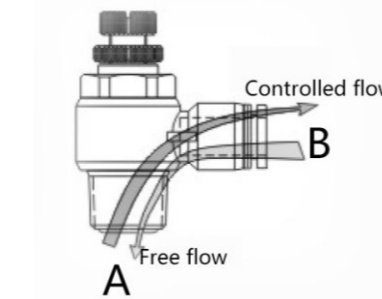
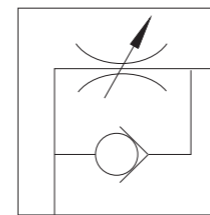
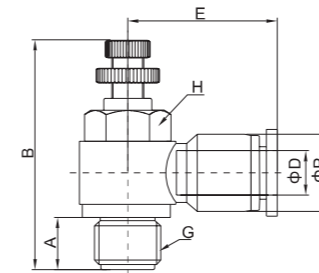


**Limited-in:**  
Controlled air flow from B to A  
Free air flow from A to B

| Model      | $\Phi D$ | E    | B    | $\Phi P$ | A   | G    | H  |
|------------|----------|------|------|----------|-----|------|----|
| Limited-in |          |      |      |          |     |      |    |
| SC04-G01B  | 4        | 22.3 | 37   | 11       | 7.5 | G1/8 | 12 |
| SC04-G02B  |          | 24.1 | 44.5 | 11       | 11  | G1/4 | 14 |
| SC06-G01B  | 6        | 23.1 | 37   | 13.4     | 7.5 | G1/8 | 12 |
| SC06-G02B  |          | 25   | 44.5 | 13.4     | 11  | G1/4 | 14 |
| SC06-G03B  |          | 26.9 | 48   | 13.4     | 12  | G3/8 | 19 |
| SC06-G04B  |          | 29.8 | 52.5 | 13       | 13  | G1/2 | 24 |
| SC08-G01B  | 8        | 25.6 | 37   | 15       | 7.5 | G1/8 | 12 |
| SC08-G02B  |          | 28.5 | 44.5 | 15       | 11  | G1/4 | 14 |
| SC08-G03B  |          | 29.6 | 48   | 15       | 12  | G3/8 | 19 |
| SC08-G04B  |          | 32.5 | 52.5 | 15       | 13  | G1/2 | 24 |
| SC10-G01B  | 10       | 30.1 | 37   | 18.8     | 7.5 | G1/8 | 12 |
| SC10-G02B  |          | 32.3 | 44.5 | 18.8     | 11  | G1/4 | 14 |
| SC10-G03B  |          | 32.9 | 48   | 18.8     | 12  | G3/8 | 19 |
| SC10-G04B  |          | 35.8 | 52.5 | 18.8     | 13  | G1/2 | 24 |
| SC12-G02B  | 12       | 33.5 | 44.5 | 21       | 11  | G1/4 | 14 |
| SC12-G03B  |          | 35.6 | 48   | 21       | 12  | G3/8 | 19 |
| SC12-G04B  |          | 36.5 | 52.5 | 21       | 13  | G1/2 | 24 |

### SC-G

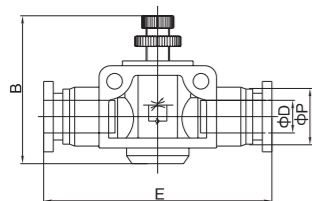
#### Control-out



**Limited-out:**  
Controlled air flow from A to B,  
Free air flow from B to A

| Model       | $\Phi D$ | E    | B    | $\Phi P$ | A   | G    | H  |
|-------------|----------|------|------|----------|-----|------|----|
| Limited-out |          |      |      |          |     |      |    |
| SC04-G01    | 4        | 22.3 | 37   | 11       | 7.5 | G1/8 | 12 |
| SC04-G02    |          | 24.1 | 44.5 | 11       | 11  | G1/4 | 14 |
| SC06-G01    | 6        | 23.1 | 37   | 13.4     | 7.5 | G1/8 | 12 |
| SC06-G02    |          | 25   | 44.5 | 13.4     | 11  | G1/4 | 14 |
| SC06-G03    |          | 26.9 | 48   | 13.4     | 12  | G3/8 | 19 |
| SC06-G04    |          | 29.8 | 52.5 | 13       | 13  | G1/2 | 24 |
| SC08-G01    | 8        | 25.6 | 37   | 15       | 7.5 | G1/8 | 12 |
| SC08-G02    |          | 28.5 | 44.5 | 15       | 11  | G1/4 | 14 |
| SC08-G03    |          | 29.6 | 48   | 15       | 12  | G3/8 | 19 |
| SC08-G04    |          | 32.5 | 52.5 | 15       | 13  | G1/2 | 24 |
| SC10-G01    | 10       | 30.1 | 37   | 18.8     | 7.5 | G1/8 | 12 |
| SC10-G02    |          | 32.3 | 44.5 | 18.8     | 11  | G1/4 | 14 |
| SC10-G03    |          | 32.9 | 48   | 18.8     | 12  | G3/8 | 19 |
| SC10-G04    |          | 35.8 | 52.5 | 18.8     | 13  | G1/2 | 24 |
| SC12-G02    | 12       | 33.5 | 44.5 | 21       | 11  | G1/4 | 14 |
| SC12-G03    |          | 35.6 | 48   | 21       | 12  | G3/8 | 19 |
| SC12-G04    |          | 36.5 | 52.5 | 21       | 13  | G1/2 | 24 |

SU



| Model | ΦD | E    | B    | ΦP   |
|-------|----|------|------|------|
| SU04  | 4  | 39.5 | 25.7 | 11   |
| SU06  | 6  | 47.6 | 41.8 | 13.4 |
| SU08  | 8  | 52.5 | 45.6 | 14.8 |
| SU10  | 10 | 63.2 | 52.2 | 18.8 |
| SU12  | 12 | 74.1 | 55   | 21   |

Hand Valves





**Specification**

|                   |                           |
|-------------------|---------------------------|
| Fluid             | Air, vacuum               |
| Pressure Range    | 0~1.0MPa                  |
| Negative Pressure | -100KPa(10Torr)           |
| Max Pressure      | 1.5MPa                    |
| Temperature Range | 0~60°C                    |
| Applicable Tube   | NYLON(PA)Polyurethane(PU) |

① **Type**

② **Tube Outer Diameter**

|                     | Metric Size |    |    |     |     |     |
|---------------------|-------------|----|----|-----|-----|-----|
| Code                | 04          | 06 | 08 | 10  | 12  | 16  |
| Tube Outer Diameter | Φ4          | Φ6 | Φ8 | Φ10 | Φ12 | Φ16 |

③ **Thread Type and Size**

|        | 55° Taper Pipe Thread |      |      |      |      |
|--------|-----------------------|------|------|------|------|
| Code   | 01                    | 02   | 03   | 04   | 06   |
| Thread | R1/8                  | R1/4 | R3/8 | R1/2 | R3/4 |

|        | 55° G-Thread |      |      |      |
|--------|--------------|------|------|------|
| Code   | G01          | G02  | G03  | G04  |
| Thread | G1/8         | G1/4 | G3/8 | G1/2 |

|        | Metric Size |      |      |       |
|--------|-------------|------|------|-------|
| Code   | M5          | M6   | M8   | M10   |
| Thread | M5x0.8      | M6x1 | M8x1 | M10x1 |

**Characteristics**

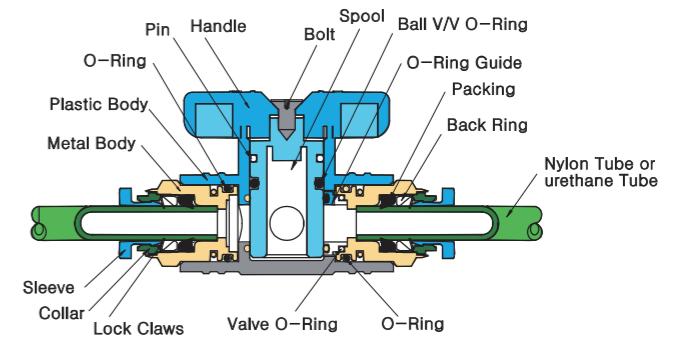
1.To control the air flow switch.

**Product Code System**

**HVFS 06 - 01**

①      ②      ③

**Structure Chart**

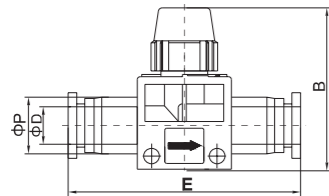


| Inch Size |       |      |       |      |      |
|-----------|-------|------|-------|------|------|
| 5/32      | 3/16  | 1/4  | 5/16  | 3/8  | 1/2  |
| Φ5/32     | Φ3/16 | Φ1/4 | Φ5/16 | Φ3/8 | Φ1/2 |

|        | UNF      | American Standand taper pipe thread(NPT) |        |        |        |        |
|--------|----------|--|--------|--------|--------|--------|
| Code   | U10      | N01                                      | N02    | N02    | N04    | N06    |
| Thread | 10-32UNF | NPT1/8                                   | NPT1/4 | NPT3/8 | NPT1/2 | NPT3/4 |

| Metric Size |          |         |         |         |
|-------------|----------|---------|---------|---------|
| M12         | M12A     | M14     | M16     | M20     |
| M12x1.25    | M12Ax1.5 | M14x1.5 | M16x1.5 | M20x1.5 |

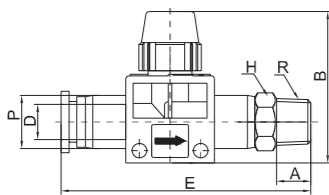
### HVFF



### Hand Valves

| Model      |            | ΦD | E    | B    | ΦP   |
|------------|------------|----|------|------|------|
| Two Ways   | Three Ways |    |      |      |      |
| HVFF06-06B | HVFF06-06  | 6  | 51.6 | 41.5 | 14.8 |
| HVFF08-06B | HVFF08-06  | 8  | 52.1 | 41.5 | 14.8 |
| HVFF08-08B | HVFF08-08  | 8  | 52.6 | 41.5 | 14.8 |
| HVFF10-10B | HVFF10-10  | 10 | 64.2 | 46   | 21   |
| HVFF12-10B | HVFF12-10  | 12 | 64.4 | 46   | 21   |
| HVFF12-12B | HVFF12-12  | 12 | 64.7 | 46   | 21   |

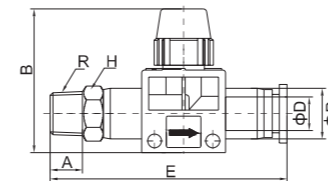
### HVFS



### Hand Valves

| Model      |            | ΦD | E    | B    | ΦP   | A   | R    | H  |
|------------|------------|----|------|------|------|-----|------|----|
| Two Ways   | Three Ways |    |      |      |      |     |      |    |
| HVFS01-06B | HVFS01-06  | 6  | 58.2 | 41.5 | 14.8 | 7   | R1/8 | 12 |
| HVFS02-06B | HVFS02-06  | 6  | 60.8 | 41.5 | 14.8 | 9.5 | R1/4 | 14 |
| HVFS03-06B | HVFS03-06  | 6  | 62.2 | 41.5 | 14.8 | 10  | R3/8 | 17 |
| HVFS01-08B | HVFS01-08  | 8  | 59.2 | 41.5 | 14.8 | 7   | R1/8 | 14 |
| HVFS02-08B | HVFS02-08  | 8  | 61.2 | 41.5 | 14.8 | 9.5 | R1/4 | 14 |
| HVFS03-08B | HVFS03-08  | 8  | 62.8 | 41.5 | 14.8 | 10  | R3/8 | 17 |
| HVFS02-10B | HVFS02-10  | 10 | 72.8 | 46   | 21   | 9.5 | R1/4 | 17 |
| HVFS03-10B | HVFS03-10  | 10 | 73.8 | 46   | 21   | 10  | R3/8 | 17 |
| HVFS04-10B | HVFS04-10  | 10 | 77.2 | 46   | 21   | 13  | R1/2 | 21 |
| HVFS02-12B | HVFS02-12  | 12 | 73.6 | 46   | 21   | 9.5 | R1/4 | 21 |
| HVFS03-12B | HVFS03-12  | 12 | 74.5 | 46   | 21   | 10  | R3/8 | 21 |
| HVFS04-12B | HVFS04-12  | 12 | 77.5 | 46   | 21   | 13  | R1/2 | 21 |

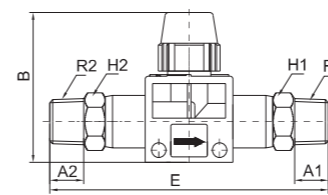
### HVSF



### Hand Valves

| Model      |            | ΦD | E    | B    | ΦP   | A   | R    | H  |
|------------|------------|----|------|------|------|-----|------|----|
| Two Ways   | Three Ways |    |      |      |      |     |      |    |
| HVSF01-06B | HVSF01-06  | 6  | 58.2 | 41.5 | 14.8 | 7   | R1/8 | 12 |
| HVSF02-06B | HVSF02-06  | 6  | 60.8 | 41.5 | 14.8 | 9.5 | R1/4 | 14 |
| HVSF03-06B | HVSF03-06  | 6  | 62.2 | 41.5 | 14.8 | 10  | R3/8 | 17 |
| HVSF01-08B | HVSF01-08  | 8  | 59.2 | 41.5 | 14.8 | 7   | R1/8 | 14 |
| HVSF02-08B | HVSF02-08  | 8  | 61.2 | 41.5 | 14.8 | 9.5 | R1/4 | 14 |
| HVSF03-08B | HVSF03-08  | 8  | 62.8 | 41.5 | 14.8 | 10  | R3/8 | 17 |
| HVSF02-10B | HVSF02-10  | 10 | 72.8 | 46   | 21   | 9.5 | R1/4 | 17 |
| HVSF03-10B | HVSF03-10  | 10 | 73.8 | 46   | 21   | 10  | R3/8 | 17 |
| HVSF04-10B | HVSF04-10  | 10 | 77.2 | 46   | 21   | 13  | R1/2 | 21 |
| HVSF02-12B | HVSF02-12  | 12 | 73.6 | 46   | 21   | 9.5 | R1/4 | 21 |
| HVSF03-12B | HVSF03-12  | 12 | 74.5 | 46   | 21   | 10  | R3/8 | 21 |
| HVSF04-12B | HVSF04-12  | 12 | 77.5 | 46   | 21   | 13  | R1/2 | 21 |

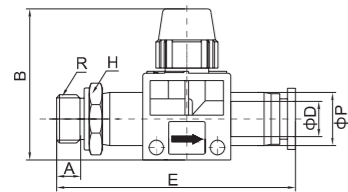
### HVSS



### Hand Valves

| Model      |            | E    | B    | R1   | R2   | A1  | A2  | H1 | H2 |
|------------|------------|------|------|------|------|-----|-----|----|----|
| Two Ways   | Three Ways |      |      |      |      |     |     |    |    |
| HVSS01-01B | HVSS01-01  | 65   | 41.5 | R1/8 | R1/8 | 7   | 7   | 14 | 14 |
| HVSS02-01B | HVSS02-01  | 68   | 41.5 | R1/4 | R1/8 | 9.5 | 7   | 17 | 14 |
| HVSS02-02B | HVSS02-02  | 67.1 | 41.5 | R1/4 | R1/4 | 9.5 | 9.5 | 17 | 17 |
| HVSS03-02B | HVSS03-02  | 82.5 | 46   | R3/8 | R1/4 | 10  | 9.5 | 17 | 17 |
| HVSS03-03B | HVSS03-03  | 83.5 | 46   | R3/8 | R3/8 | 10  | 10  | 17 | 17 |
| HVSS04-03B | HVSS04-03  | 90.5 | 46   | R1/2 | R3/8 | 13  | 10  | 21 | 17 |
| HVSS04-04B | HVSS04-04  | 94.5 | 46   | R1/2 | R1/2 | 13  | 13  | 21 | 21 |

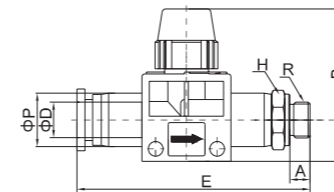
### HVFS-G



### Hand Valves

| Model        |             | ΦD | E    | B    | ΦP   | A   | R    | H  |
|--------------|-------------|----|------|------|------|-----|------|----|
| Two Ways     | Three Ways  |    |      |      |      |     |      |    |
| HVFS G01-06B | HVFS G01-06 | 6  | 56.2 | 41.5 | 14.8 | 5.5 | G1/8 | 14 |
| HVFS G02-06B | HVFS G02-06 | 6  | 58.8 | 41.5 | 14.8 | 7.5 | G1/4 | 17 |
| HVFS G03-06B | HVFS G03-06 | 6  | 61   | 41.5 | 14.8 | 8.5 | G3/8 | 20 |
| HVFS G01-08B | HVFS G01-08 | 8  | 57.2 | 41.5 | 14.8 | 5.5 | G1/8 | 14 |
| HVFS G02-08B | HVFS G02-08 | 8  | 59.2 | 41.5 | 14.8 | 7.5 | G1/4 | 17 |
| HVFS G03-08B | HVFS G03-08 | 8  | 61.5 | 41.5 | 14.8 | 8.5 | G3/8 | 20 |
| HVFS G02-10B | HVFS G02-10 | 10 | 71.3 | 46   | 21   | 7.5 | G1/4 | 17 |
| HVFS G03-10B | HVFS G03-10 | 10 | 72.2 | 46   | 21   | 8.5 | G3/8 | 20 |
| HVFS G04-10B | HVFS G04-10 | 10 | 75.2 | 46   | 21   | 11  | G1/2 | 24 |
| HVFS G02-12B | HVFS G02-12 | 12 | 71.6 | 46   | 21   | 7.5 | G1/4 | 17 |
| HVFS G03-12B | HVFS G03-12 | 12 | 72.5 | 46   | 21   | 8.5 | G3/8 | 20 |
| HVFS G04-12B | HVFS G04-12 | 12 | 75.5 | 46   | 21   | 11  | G1/2 | 24 |

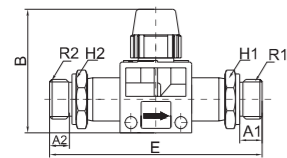
### HVSF-G



### Hand Valves

| Model        |             | ΦD | E    | B    | ΦP   | A   | R    | H  |
|--------------|-------------|----|------|------|------|-----|------|----|
| Two Ways     | Three Ways  |    |      |      |      |     |      |    |
| HVSF G01-06B | HVSF G01-06 | 6  | 56.2 | 41.5 | 14.8 | 5.5 | G1/8 | 14 |
| HVSF G02-06B | HVSF G02-06 | 6  | 58.8 | 41.5 | 14.8 | 7.5 | G1/4 | 17 |
| HVSF G03-06B | HVSF G03-06 | 6  | 61   | 41.5 | 14.8 | 8.5 | G3/8 | 20 |
| HVSF G01-08B | HVSF G01-08 | 8  | 57.2 | 41.5 | 14.8 | 5.5 | G1/8 | 14 |
| HVSF G02-08B | HVSF G02-08 | 8  | 59.2 | 41.5 | 14.8 | 7.5 | G1/4 | 17 |
| HVSF G03-08B | HVSF G03-08 | 8  | 61.5 | 41.5 | 14.8 | 8.5 | G3/8 | 20 |
| HVSF G02-10B | HVSF G02-10 | 10 | 71.3 | 46   | 21   | 7.5 | G1/4 | 17 |
| HVSF G03-10B | HVSF G03-10 | 10 | 72.2 | 46   | 21   | 8.5 | G3/8 | 20 |
| HVSF G04-10B | HVSF G04-10 | 10 | 75.2 | 46   | 21   | 11  | G1/2 | 24 |
| HVSF G02-12B | HVSF G02-12 | 12 | 71.6 | 46   | 21   | 7.5 | G1/4 | 17 |
| HVSF G03-12B | HVSF G03-12 | 12 | 72.5 | 46   | 21   | 8.5 | G3/8 | 20 |
| HVSF G04-12B | HVSF G04-12 | 12 | 75.5 | 46   | 21   | 11  | G1/2 | 24 |

HVSS-G



Hand Valves

| Model        |             | E  | B    | R1   | R2   | A1  | A2  | H1 | H2 |
|--------------|-------------|----|------|------|------|-----|-----|----|----|
| Two Ways     | Three Ways  |    |      |      |      |     |     |    |    |
| HVSS G01-01B | HVSS G01-01 | 60 | 41.5 | G1/8 | G1/8 | 5.5 | 5.5 | 14 | 14 |
| HVSS G02-01B | HVSS G02-01 | 64 | 41.5 | G1/4 | G1/8 | 7.5 | 5.5 | 17 | 14 |
| HVSS G02-02B | HVSS G02-02 | 63 | 41.5 | G1/4 | G1/4 | 7.5 | 7.5 | 17 | 17 |
| HVSS G03-02B | HVSS G03-02 | 80 | 46   | G3/8 | G1/4 | 8.5 | 7.5 | 20 | 17 |
| HVSS G03-03B | HVSS G03-03 | 81 | 46   | G3/8 | G3/8 | 8.5 | 8.5 | 20 | 20 |
| HVSS G04-03B | HVSS G04-03 | 87 | 46   | G1/2 | G3/8 | 11  | 8.5 | 24 | 20 |
| HVSS G04-04B | HVSS G04-04 | 90 | 46   | G1/2 | G1/2 | 11  | 11  | 24 | 24 |

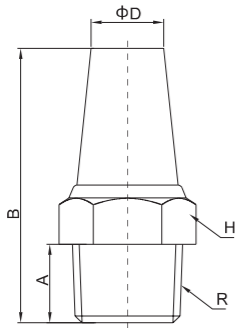
Pneumatic Muffler



SSL



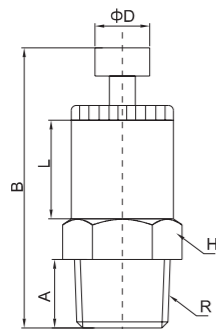
| Model  | ΦD | R    | A   | B  | H  |
|--------|----|------|-----|----|----|
| SSL-01 | 8  | R1/8 | 6.5 | 24 | 12 |
| SSL-02 | 11 | R1/4 | 8.5 | 33 | 15 |
| SSL-03 | 14 | R3/8 | 10  | 44 | 19 |
| SSL-04 | 18 | R1/2 | 10  | 49 | 21 |
| SSL-06 | 21 | R3/4 | 11  | 57 | 27 |



SSLB



| Model   | ΦD | R    | A   | B  | L    | H  |
|---------|----|------|-----|----|------|----|
| SSLB-01 | 6  | R1/8 | 5.5 | 38 | 11   | 12 |
| SSLB-02 | 7  | R1/4 | 7.5 | 40 | 11   | 13 |
| SSLB-03 | 12 | R3/8 | 8   | 46 | 14.5 | 17 |
| SSLB-04 | 14 | R1/2 | 11  | 57 | 18.5 | 21 |
| SSLB-06 | 17 | R3/4 | 13  | 69 | 24   | 27 |



SSLP

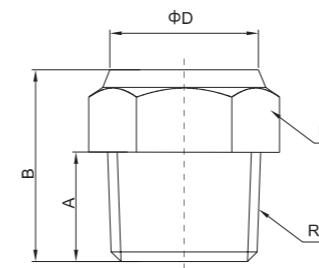


| Model   | R    |
|---------|------|
| SSLP-01 | R1/8 |
| SSLP-02 | R1/4 |
| SSLP-03 | R3/8 |
| SSLP-04 | R1/2 |
| SSLP-06 | R3/4 |

SSLF



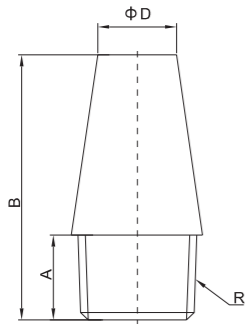
| Model   | ΦD | R    | A    | B  | H  |
|---------|----|------|------|----|----|
| SSLF-01 | 10 | R1/8 | 6.5  | 11 | 12 |
| SSLF-02 | 13 | R1/4 | 8.5  | 14 | 15 |
| SSLF-03 | 16 | R3/8 | 10   | 15 | 19 |
| SSLF-04 | 17 | R1/2 | 11   | 16 | 21 |
| SSLF-06 | 22 | R3/4 | 11.5 | 19 | 27 |



SSLD



| Model   | ΦD | R    | A   | B    |
|---------|----|------|-----|------|
| SSLD-01 | 8  | R1/8 | 4.5 | 19.5 |
| SSLD-02 | 11 | R1/4 | 6   | 26   |
| SSLD-03 | 14 | R3/8 | 7   | 35.5 |
| SSLD-04 | 18 | R1/2 | 8   | 42   |
| SSLD-06 | 22 | R3/4 | 9   | 46   |



SSLA



| Model   | R    |
|---------|------|
| SSLA-01 | R1/8 |
| SSLA-02 | R1/4 |
| SSLA-03 | R3/8 |
| SSLA-04 | R1/2 |
| SSLA-06 | R3/4 |