



Solenoid Valve CATALOG

HERED PNEUMATIC CO.,LTD

WWW.HERED.COM

HERED®

CONTENT

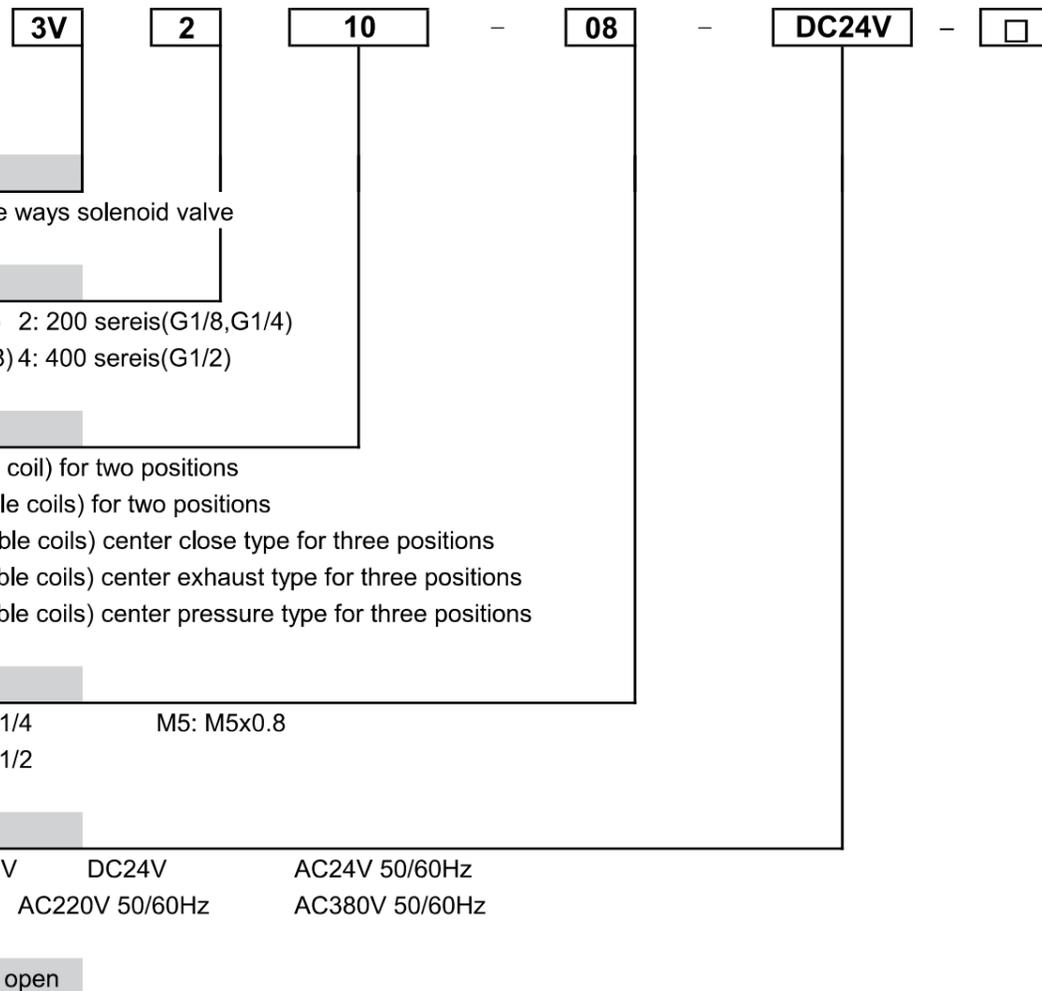
3V Series 2positions/3ways Solenoid Valve	-----	04
4V Series 2positions/5ways Solenoid Valve	-----	06
3A Series 2positions/3ways Air Control Valve	-----	08
4A Series 2positions/5ways Air Control Valve	-----	12
5V Series 2positions/3ways or 2positions/5ways Solenoid Valve	-----	14
5V3120,5V3220,5V5120,5V5220 Series Solenoid Valve	-----	16
3V1 Series 2positions/3ways Solenoid Valve	-----	22
2V025 Series 2positions/2ways Solenoid Valve	-----	26
5VMP series Diaphragm Solenoid Valve	-----	30
4M Series 2positions/5ways Plate Type Solenoid Valve	-----	34
Manifold for 4V,3V,4A,3A series valves	-----	38

3V Series 2positions/3ways Solenoid Valve



3V110-06

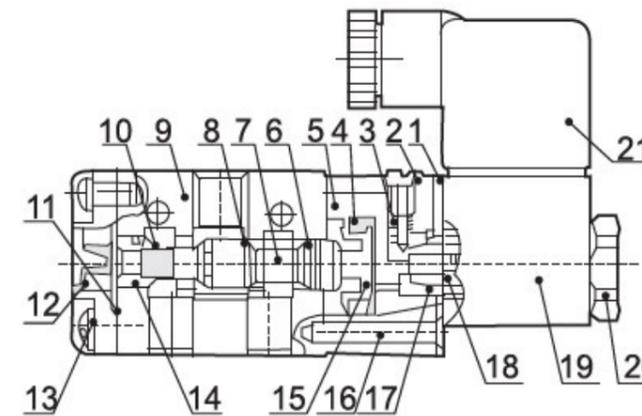
1. Ordering Code :



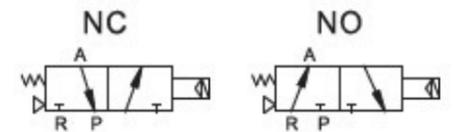
2.Characteristics:

- 1) The protection grade for this series solenoid valve is IP65.
- 2) Different voltages are available for coils.
- 3) Pressure unit: 1kgf/cm²=1bar=0.1MPa=100KPa=14.5psi
- 4) Lead wire type is available, please remind when you order.
- 5) Different thread types can be offered according to customers' requirements, e.g.: PT, NPT etc.

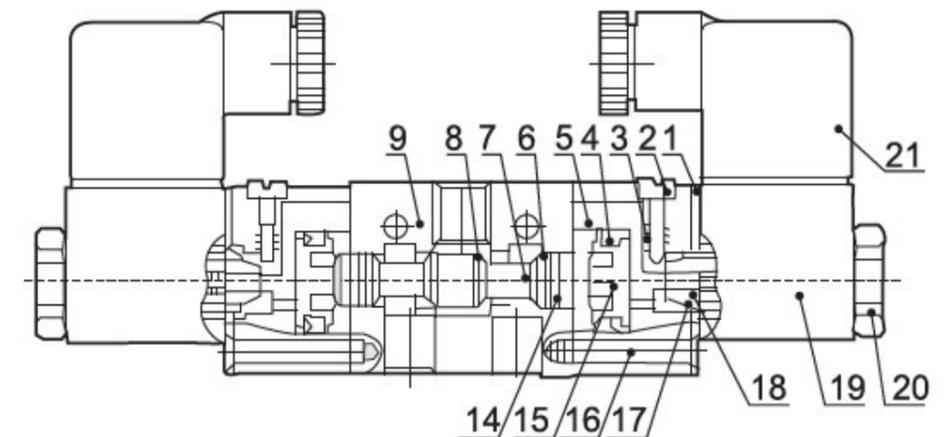
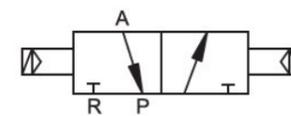
3.Internal Structure:



Single-Head Type



Double-Head Type



No.:	Designation	No.:	Designation	No.:	Designation
1.	Body of valve	8.	Iron cover	15.	Cord-locks
2.	Sealing O ring	9.	Cord-locks	16.	Name plate
3.	Assembly of iron core	10.	Name plate	17.	Cord-locks
4.	Assembly of pilot head	11.	Spring Gasket	18.	Name plate
5.	Magnetic plate	12.	Head cover nut	19.	Spring Gasket
6.	Spring	13.	Assembly of coil	20.	Head cover nut
7.	Assembly of coil	14.	Iron cover	21.	Head cover nut

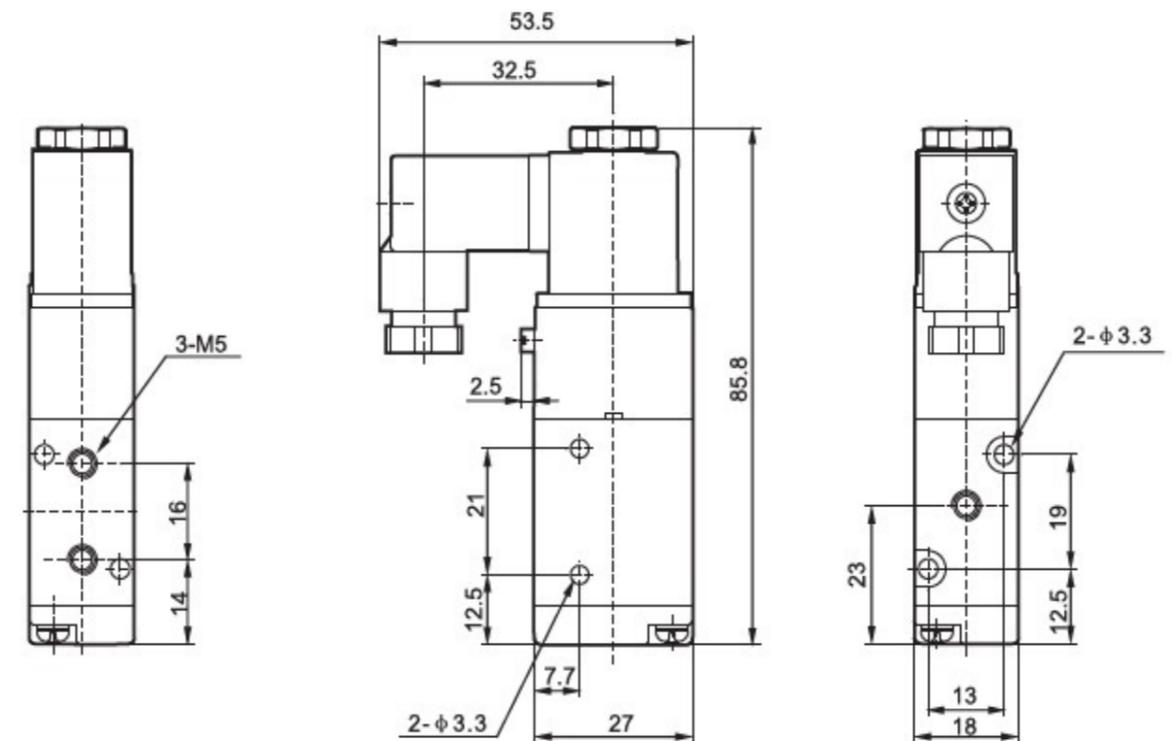
4.Specification:

Model	Acting head	3V100 Series		3V200 Series		3V300 Series		3V400 Series
	Single head	3V110-M5	3V110-06	3V210-06	3V210-08	3V310-08	3V310-10	3V410-15
	Double head	3V120-M5	3V120-06	3V220-06	3V220-08	3V320-08	3V320-10	3V420-15
Applicable medium		≤40μ Filtered Air						
Motion pattern		Inner guide type						
Working pressure		0.15~0.8 MPa						
Proof Pressure		1.2MPa						
Temperature range		NBR: 5℃~50℃						
Port size		M5x0.8	G1/8	G1/8	G1/4	G1/4	G3/8	G1/2
Effective section area (mm ²)		10	12	14	16	25	30	50
Cv Value		0.56	0.67	0.78	0.89	1.4	1.68	2.79
Available Voltage		DC5, DC12V,DC24V,AC24V,AC36V,AC110V,AC220V,AC380V						
Power consumption		AC220V:2W, AC110V:2.5W,AC24V:3.5W,DC24V:3W,DC12V:2.5W						
Voltage range		±10%						
Material of body		Aluminum alloy						
Highest action frequency		5 cycles/second						
Shortest excitation time		0.05 s						
Sealing material		NBR or VITON						

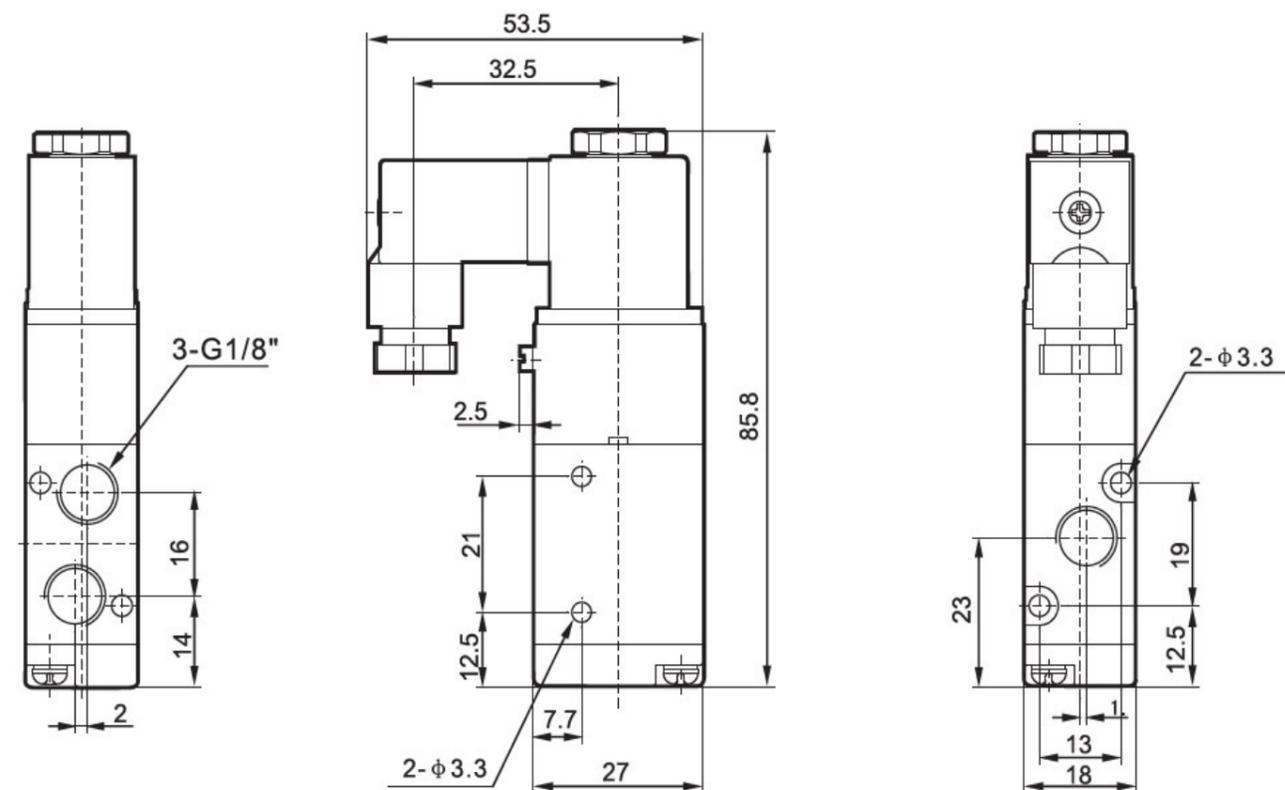
* 1 kgf/cm² = 1 bar = 0.1 Mpa = 100KPa = 14.5psi

5. Overall and Dimension Sheet:

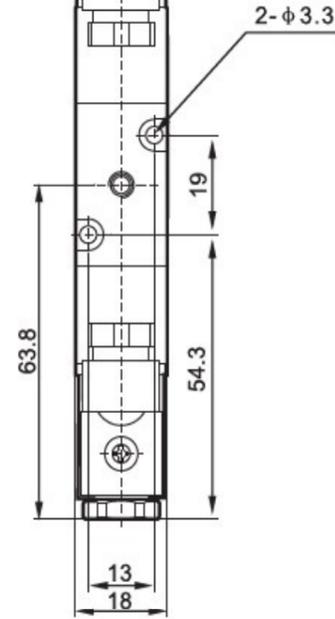
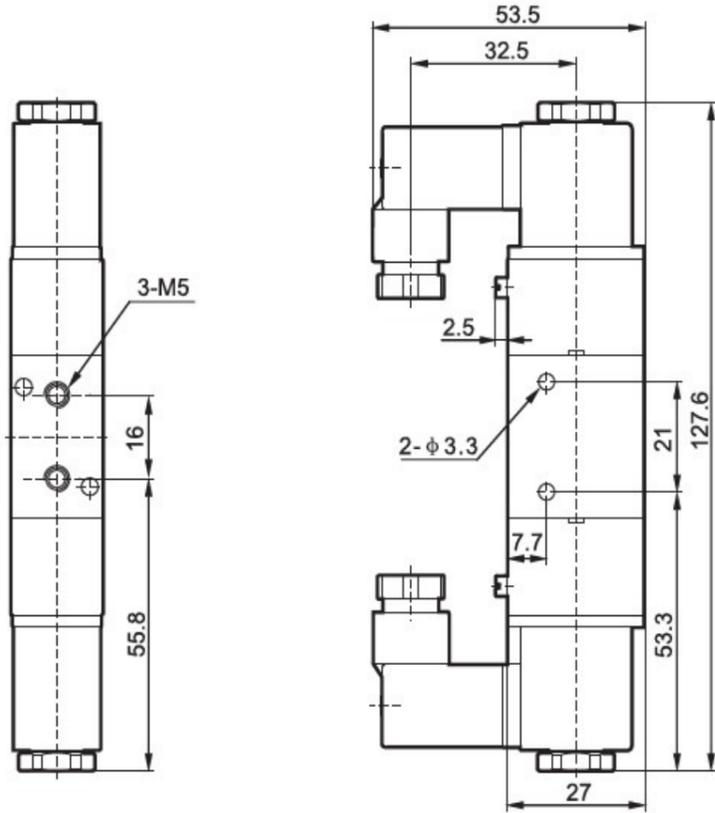
3V110-M5



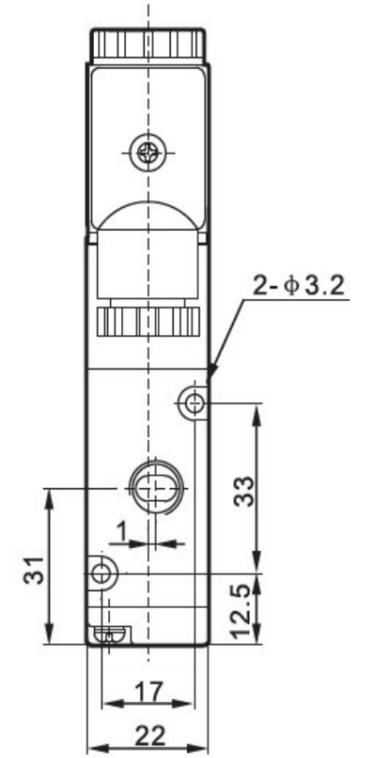
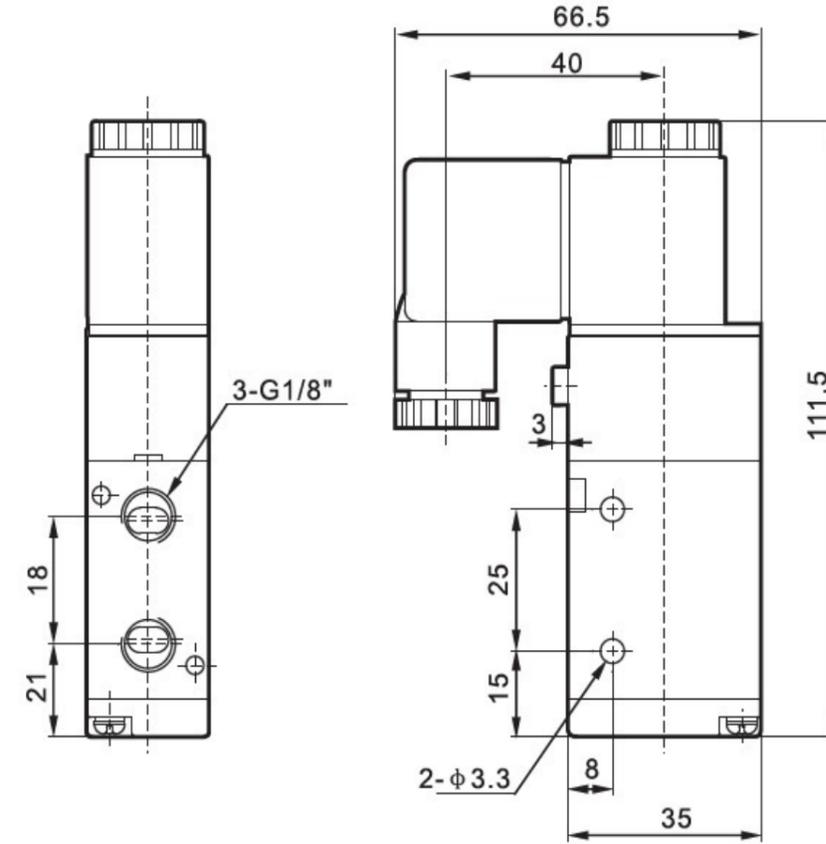
3V110-06



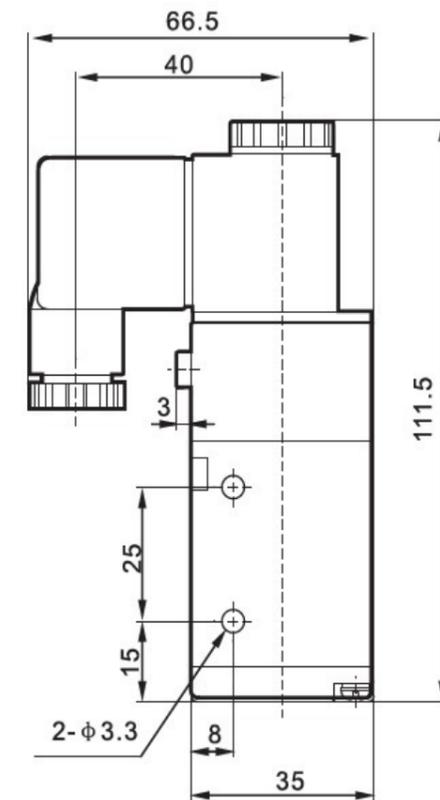
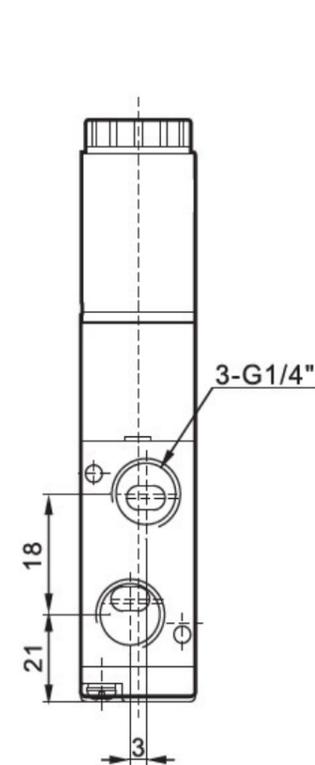
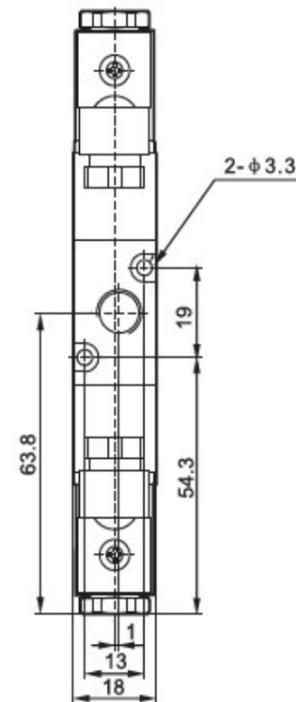
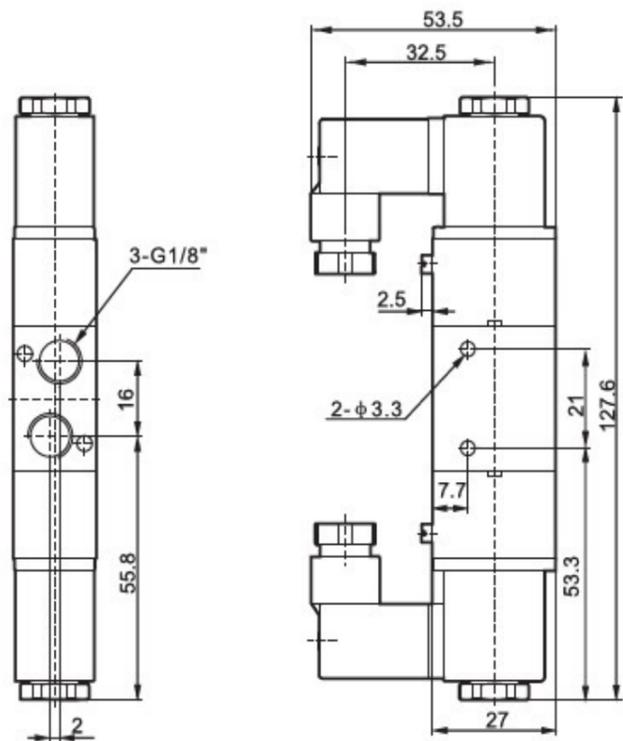
3V120-M5



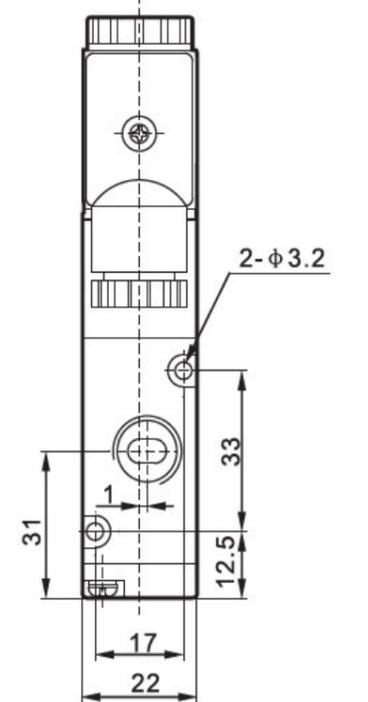
3V210-06



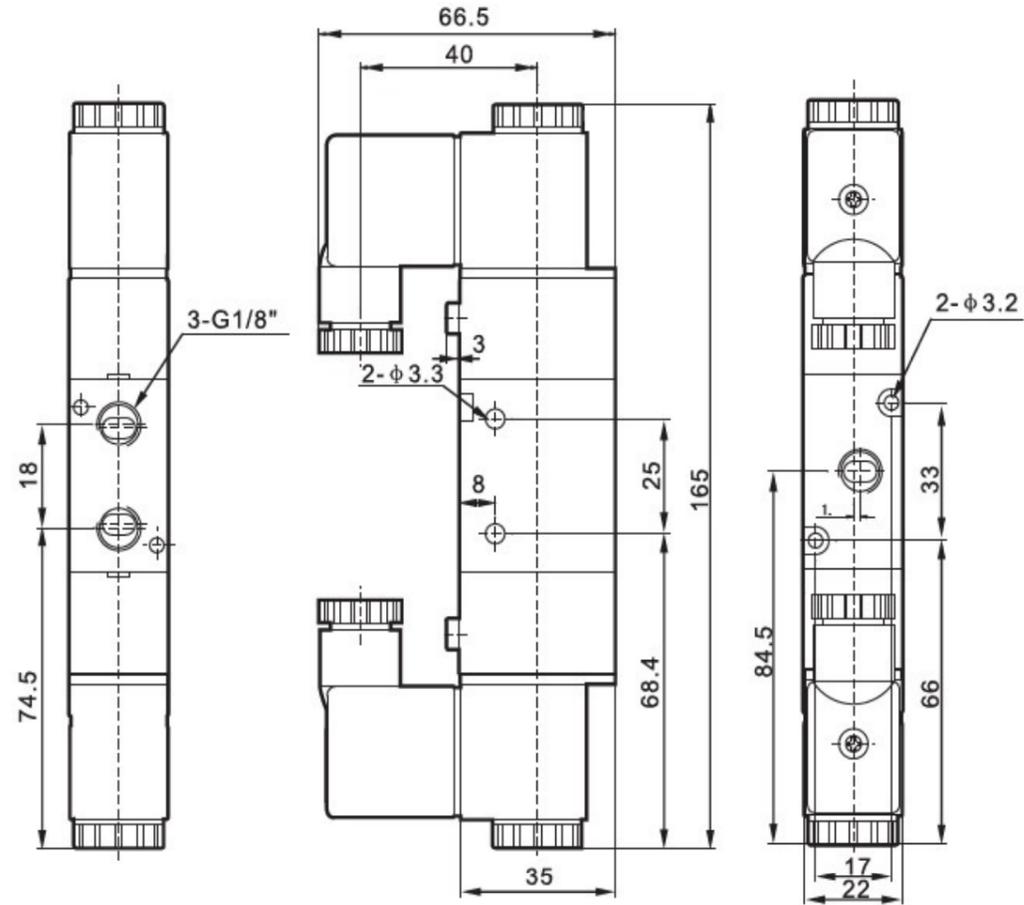
3V120-06



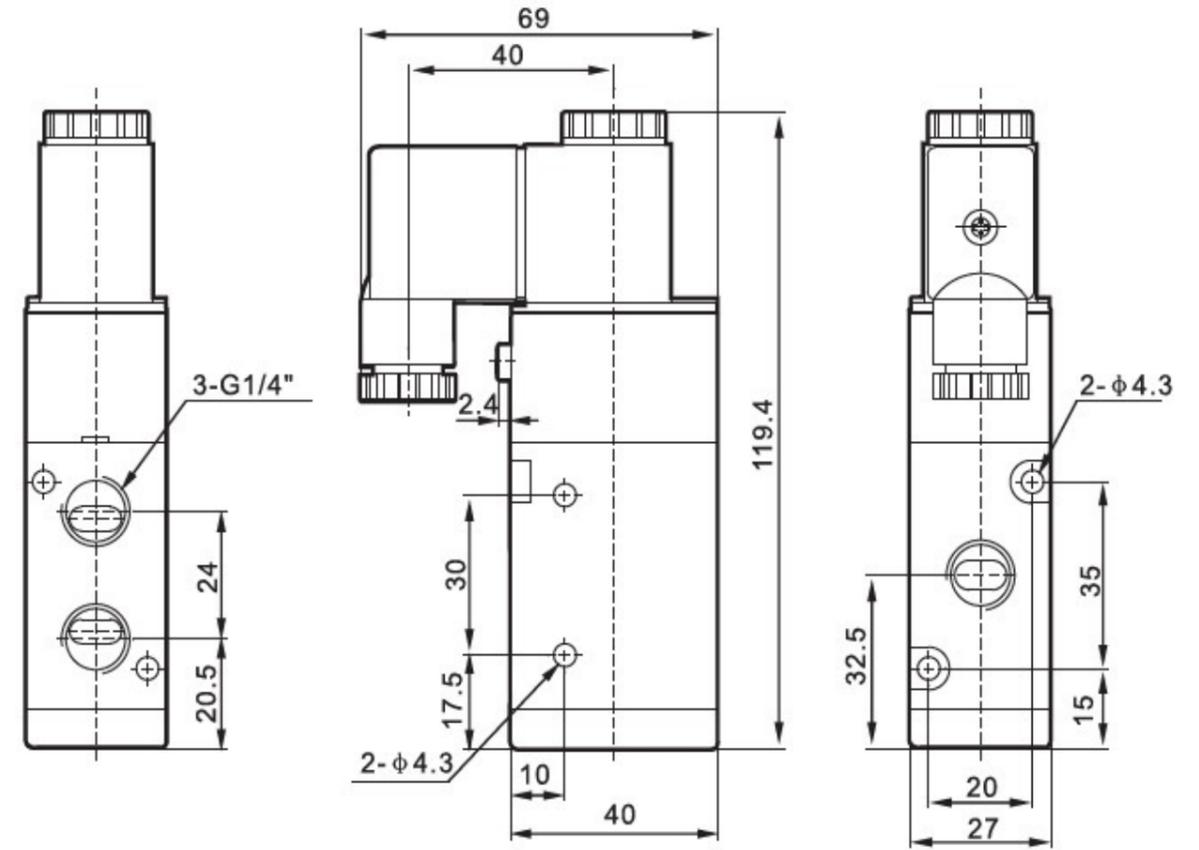
3V210-08



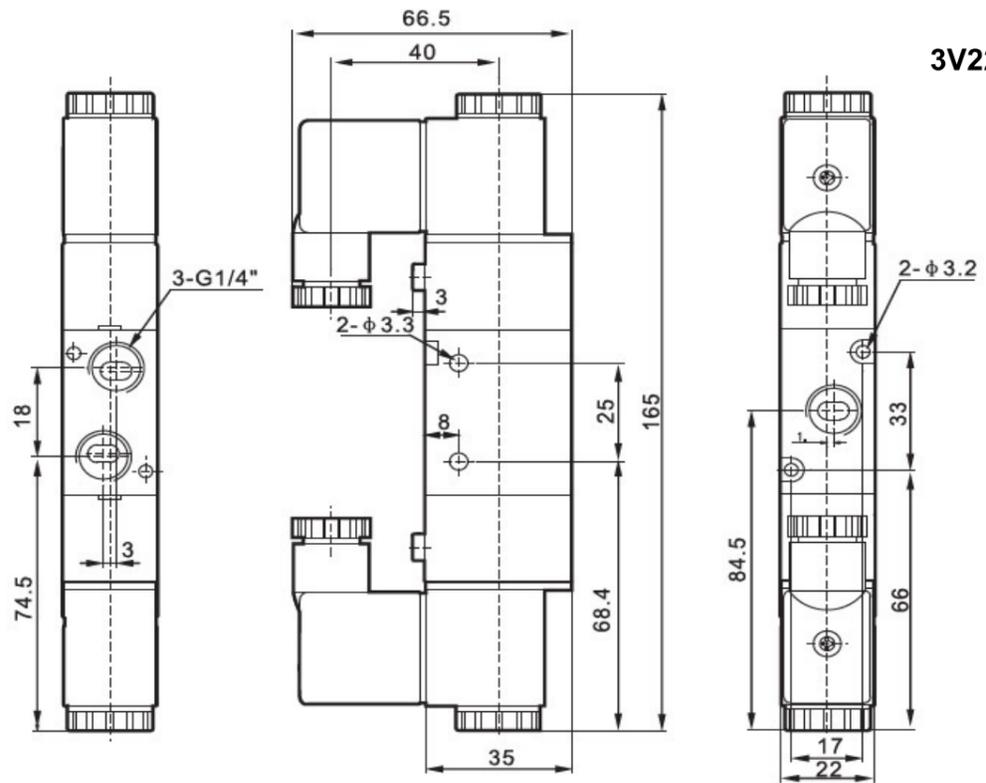
3V220-06



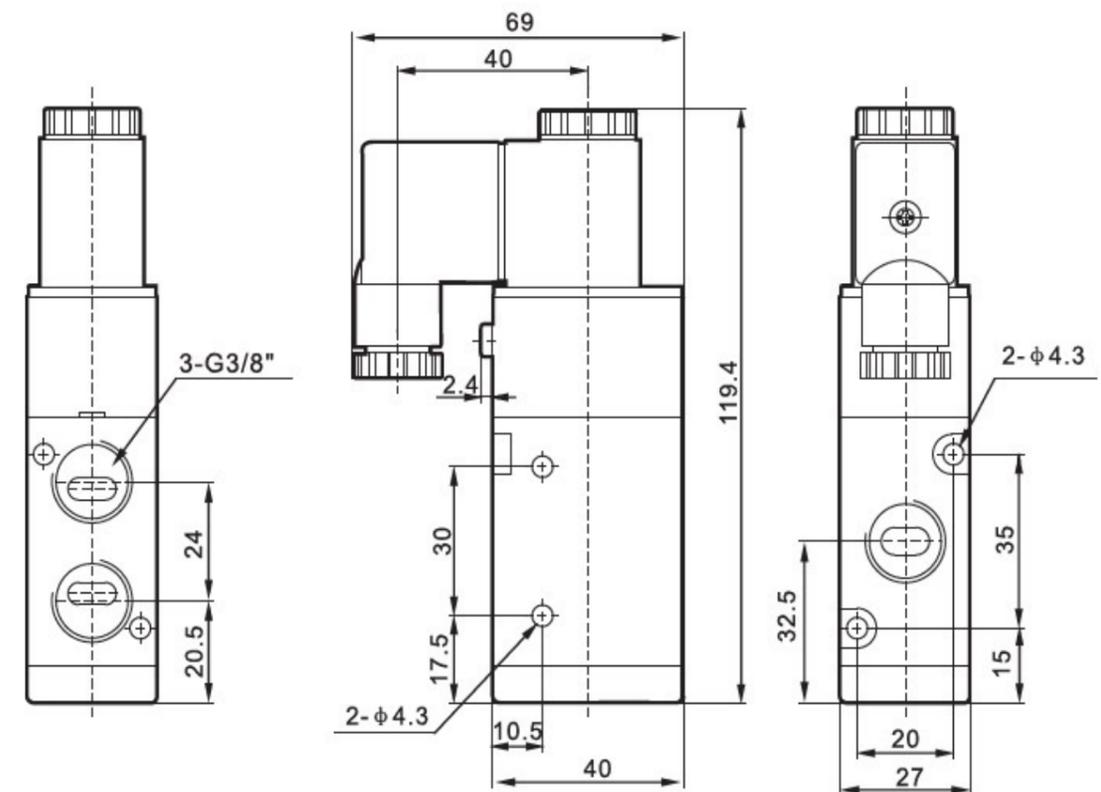
3V310-08



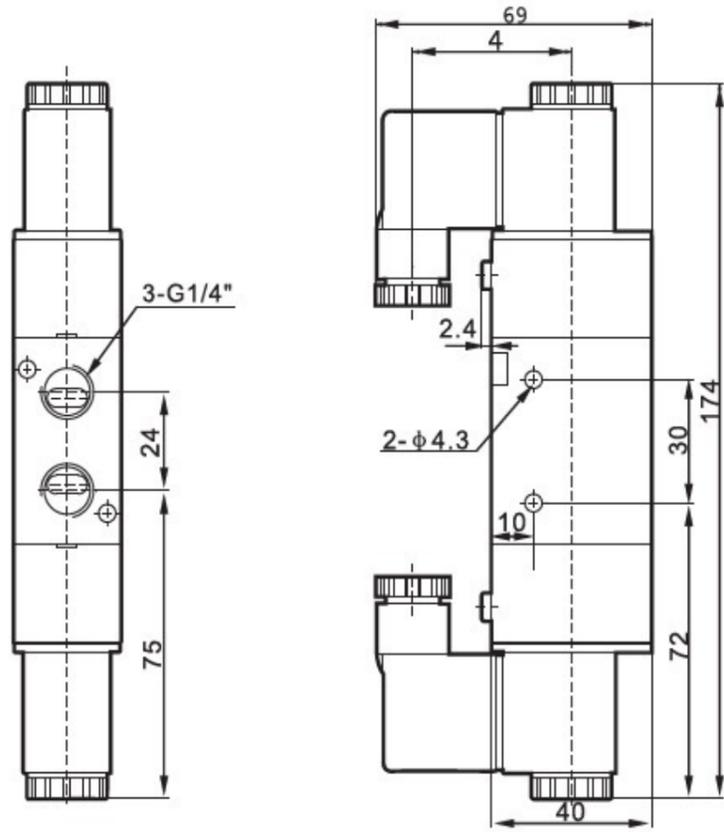
3V220-08



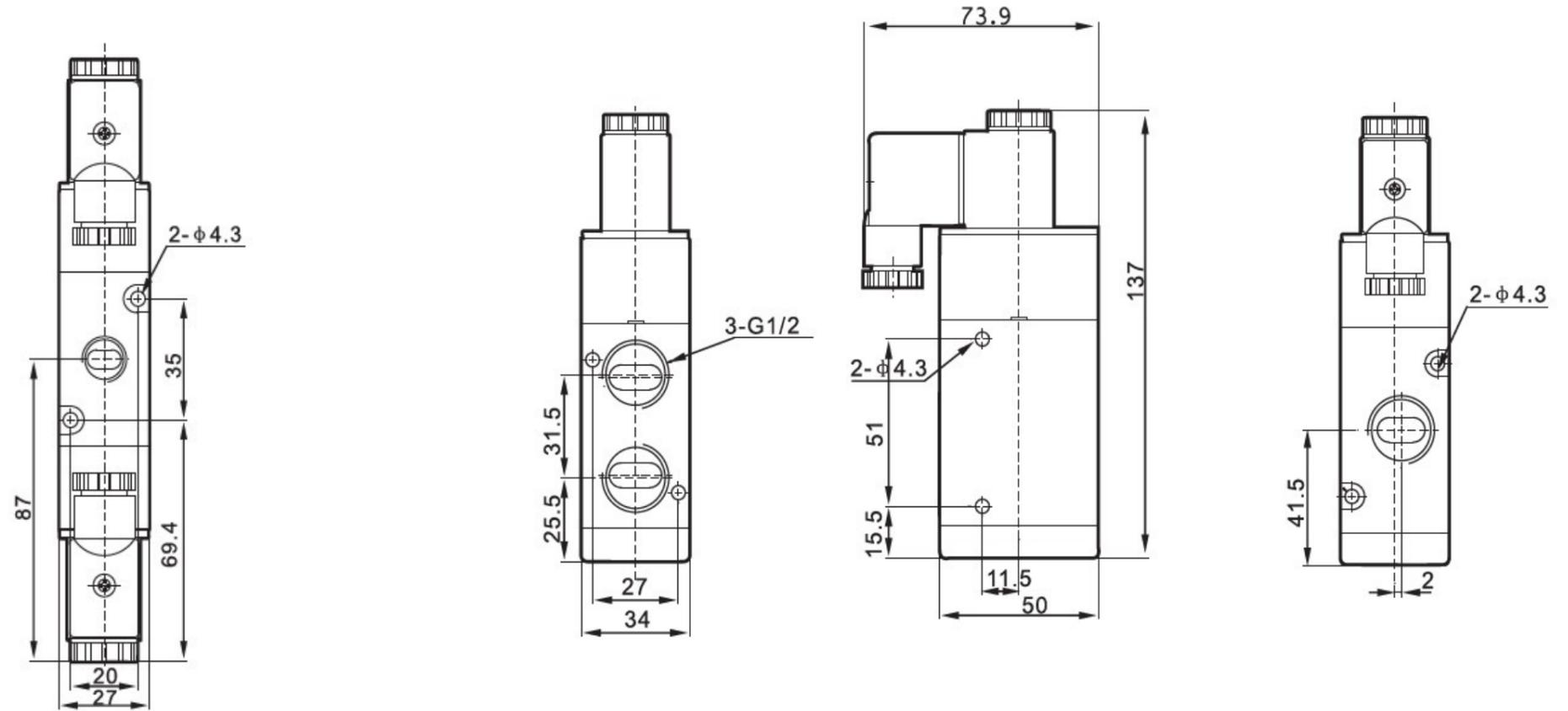
3V310-10



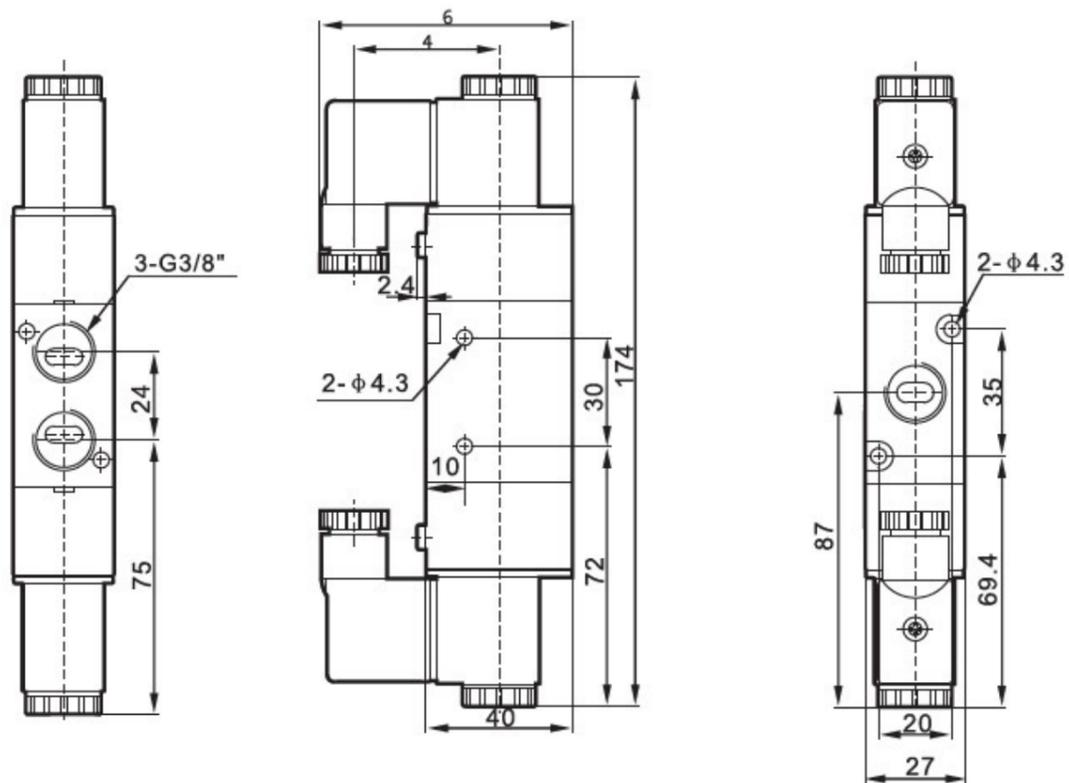
3V320-08



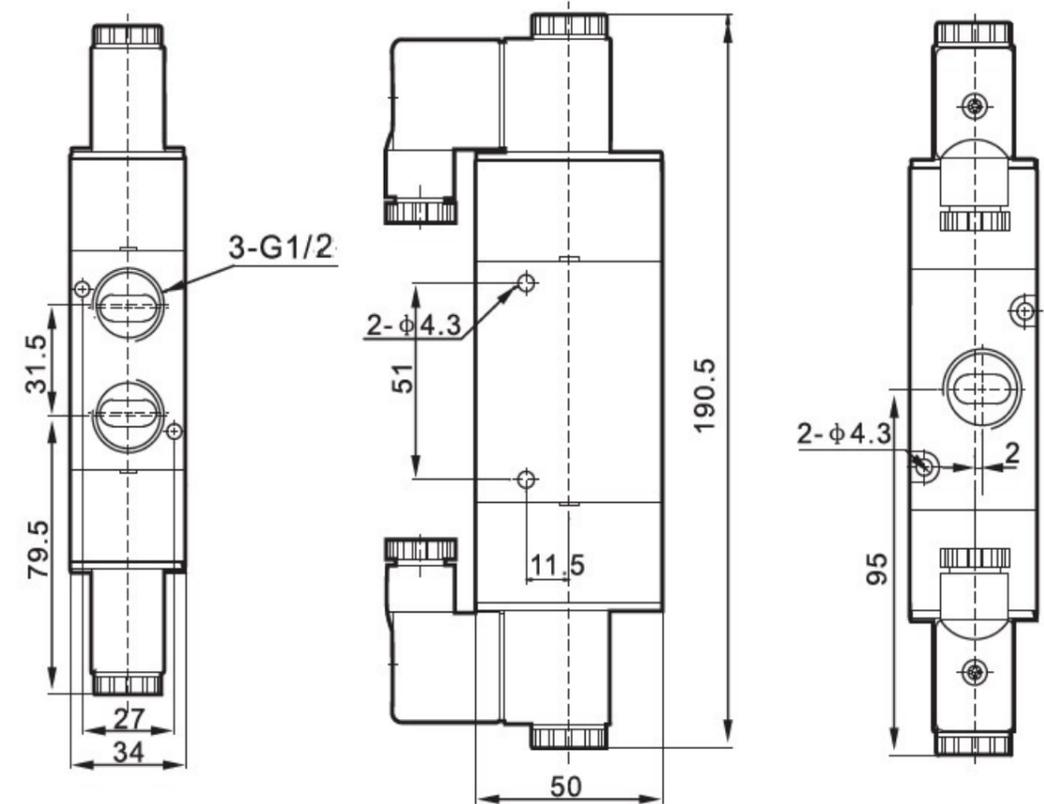
3V410-15



3V320-10



3V420-15



4V Series 2positions/5ways Solenoid Valve

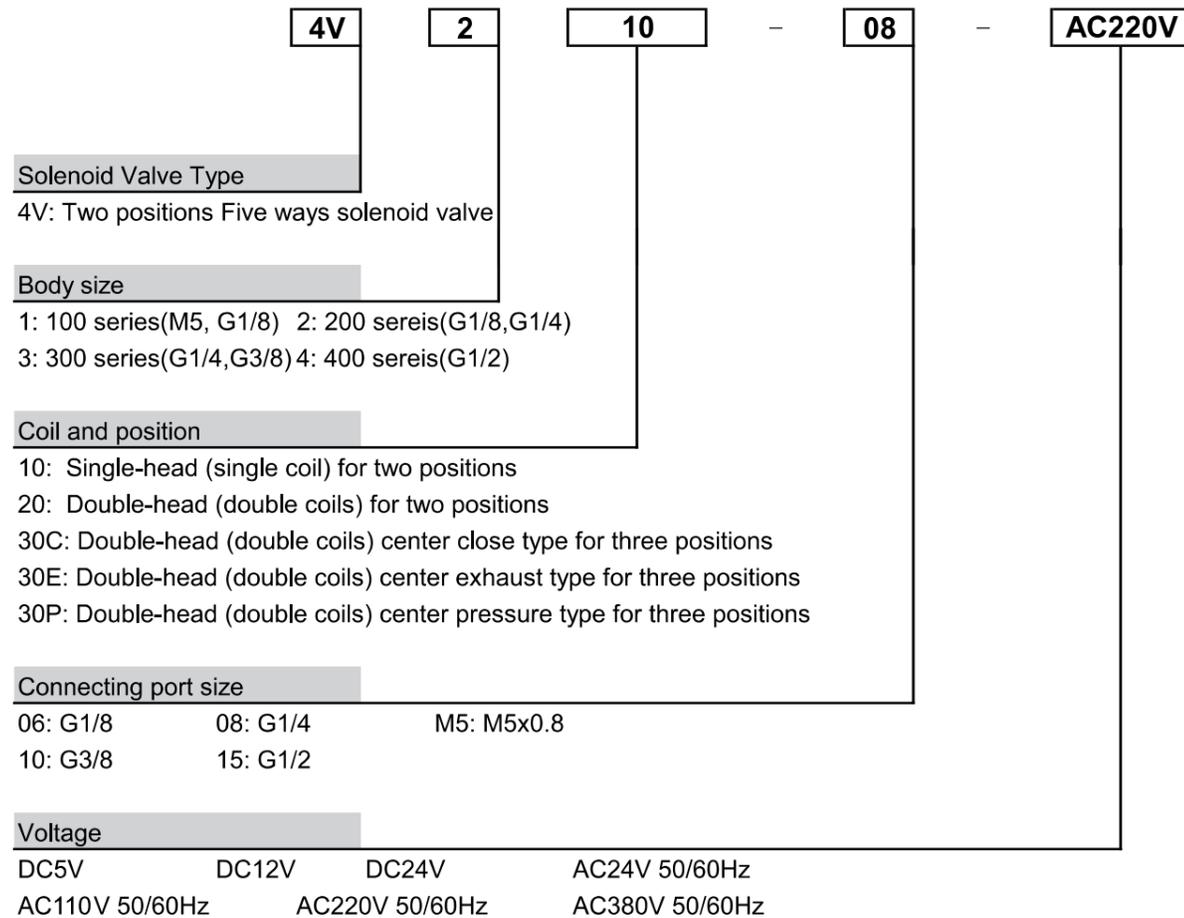


4V210-08

4V220-08

4V230-08

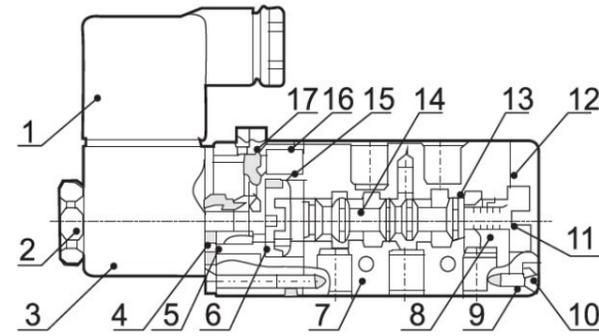
1. Ordering Code :



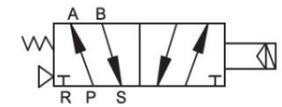
2.Characteristics:

- 1) The protection grade for this series solenoid valve is IP65.
- 2) Different voltages are available for coils.
- 3) Pressure unit: 1kgf/cm²=1bar=0.1MPa=100KPa=14.5psi
- 4) Lead wire type is available, please remind when you order.
- 5) Different thread types can be offered according to customers' requirements, e.g.: PT, NPT etc.

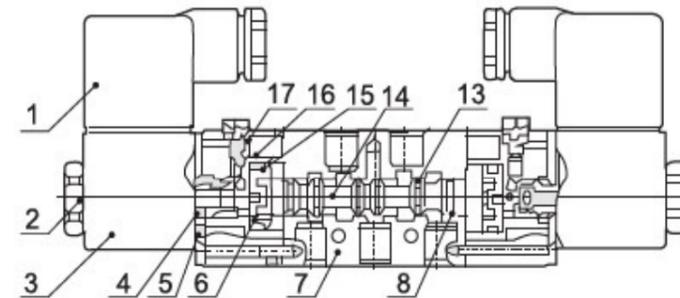
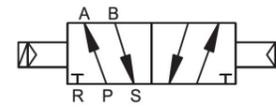
3.Internal Structure:



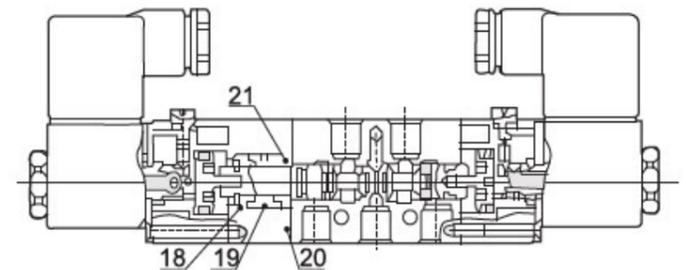
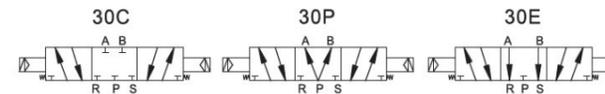
Single-Head Type
(4V110~4V410)



Double-Head Type
(4V120~4V420)



Double-Head Type
(4V130~4V430)



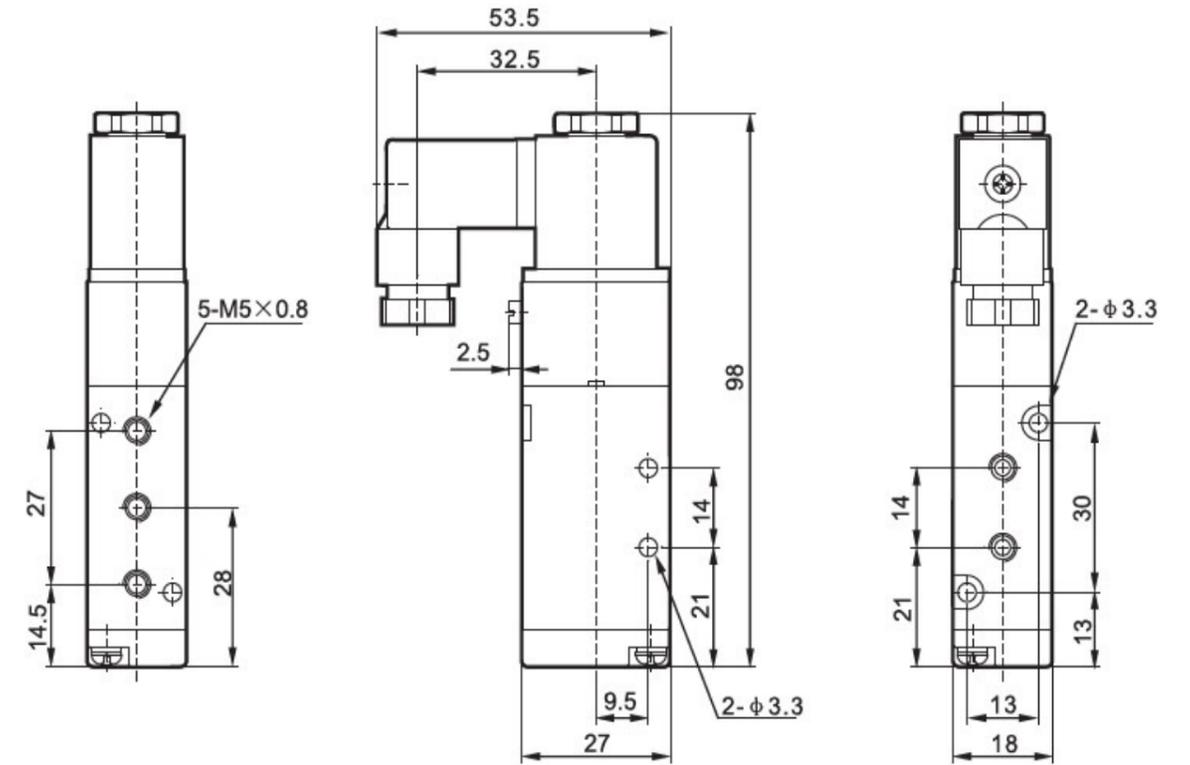
No.:	Designation	No.:	Designation	No.:	Designation
1.	Connector	8.	Wearing	15.	O ring
2.	Nut	9.	End cap	16.	Spring
3.	Coil	10.	Screw	17.	Pin
4.	Active amature	11.	Spring	18.	Spring seat
5.	Steel part	12.	Sealing ring	19.	Spring
6.	Piston	13.	O ring	20.	Side cover
7.	Valve body	14.	Spool	21.	Spring seat

4.Specification:

Model	Acting head	4V100 Series		4V200 Series		4V300 Series		4V400 Series
	Single head	4V110-M5	4V110-06	4V210-06	4V210-08	4V310-08	4V310-10	4V410-15
Double head	4V120-M5	4V120-06	4V220-06	4V220-08	4V320-08	4V320-10	4V420-15	
Center close	4V130C-M5	4V130C-06	4V230C-06	4V230C-08	4V330C-08	4V330C-10	4V430C-15	
Center exhaust	4V130E-M5	4V130E-06	4V230E-06	4V230E-08	4V330E-08	4V330E-10	4V430E-15	
Center pressure	4V130P-M5	4V130P-06	4V230P-06	4V230P-08	4V330P-08	4V330P-10	4V430P-15	
Applicable medium	≤40μ Filtered Air							
Motion pattern	Inner guide type							
Working pressure	0.15~0.8 MPa							
Proof Pressure	1.2MPa							
Temperature range	NBR: 5°C~50°C							
Port size	M5x0.8	G1/8	G1/8	G1/4	G1/4	G3/8	G1/2	
Effective section area (mm ²)	10	12	14	16	25	30	50	
Cv Value	0.56	0.67	0.78	0.89	1.4	1.68	2.79	
Available Voltage	DC5, DC12V,DC24V,AC24V,AC36V,AC110V,AC220V,AC380V							
Power consumption	AC220V:2W, AC110V:2.5W,AC24V:3.5W,DC24V:3W,DC12V:2.5W							
Voltage range	±10%							
Material of body	Aluminum alloy							
Highest action frequency	5 cycles/second							
Shortest excitation time	0.05 s							
Sealing material	NBR or VITON							

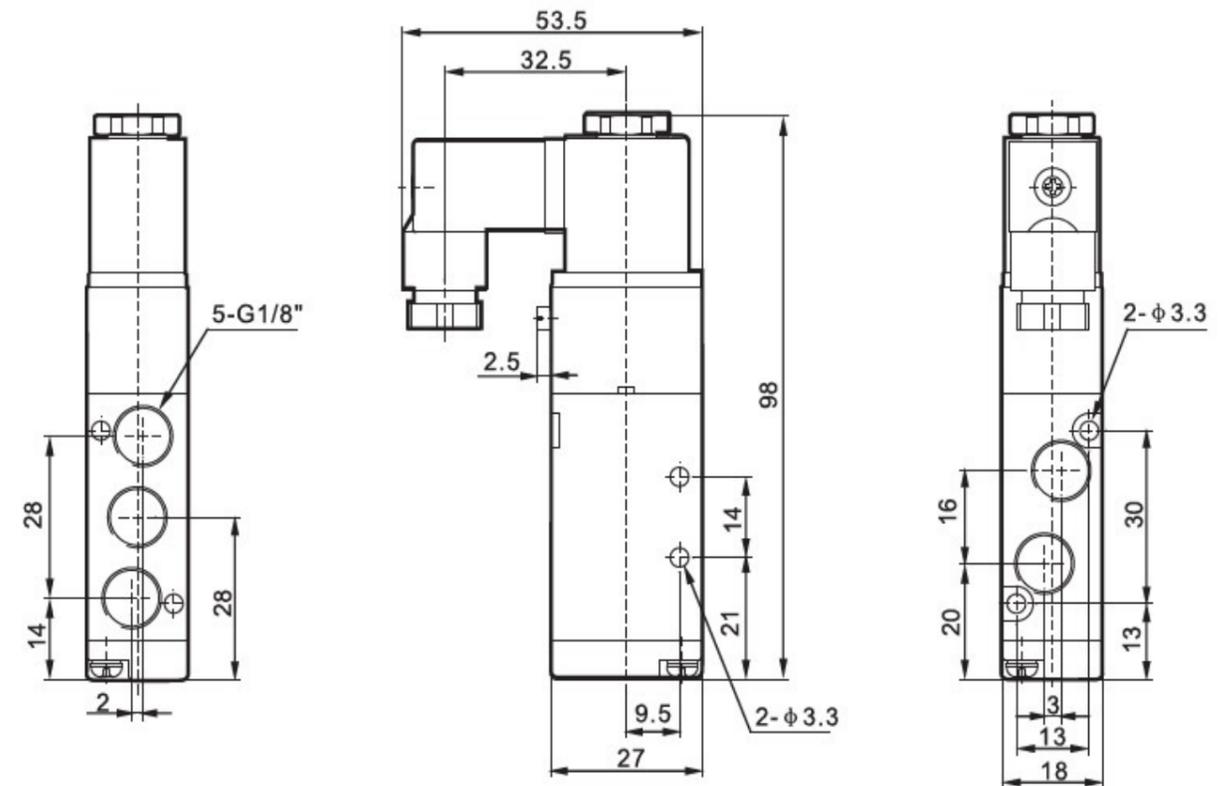
5. Overall and Dimension Sheet:

4V110-M5

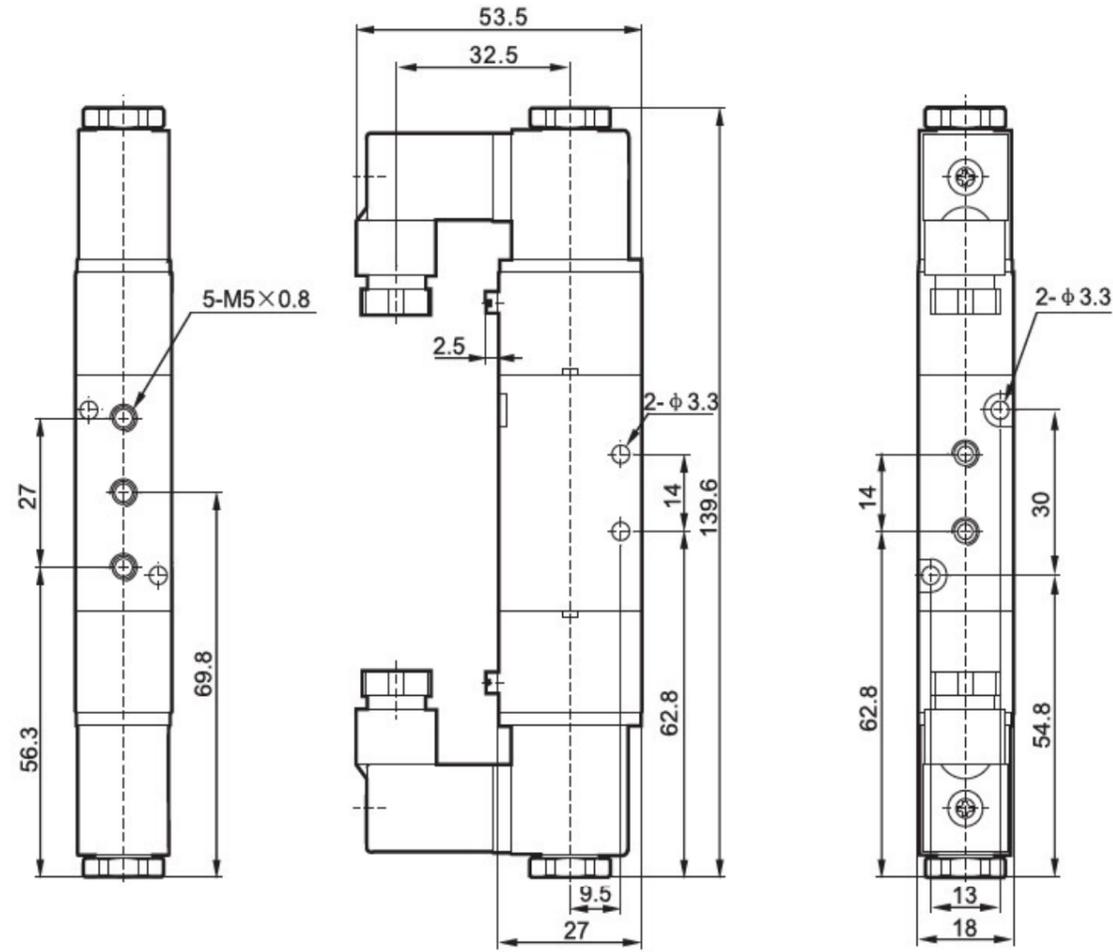


* 1 kgf/cm² = 1 bar = 0.1 Mpa = 100KPa = 14.5psi

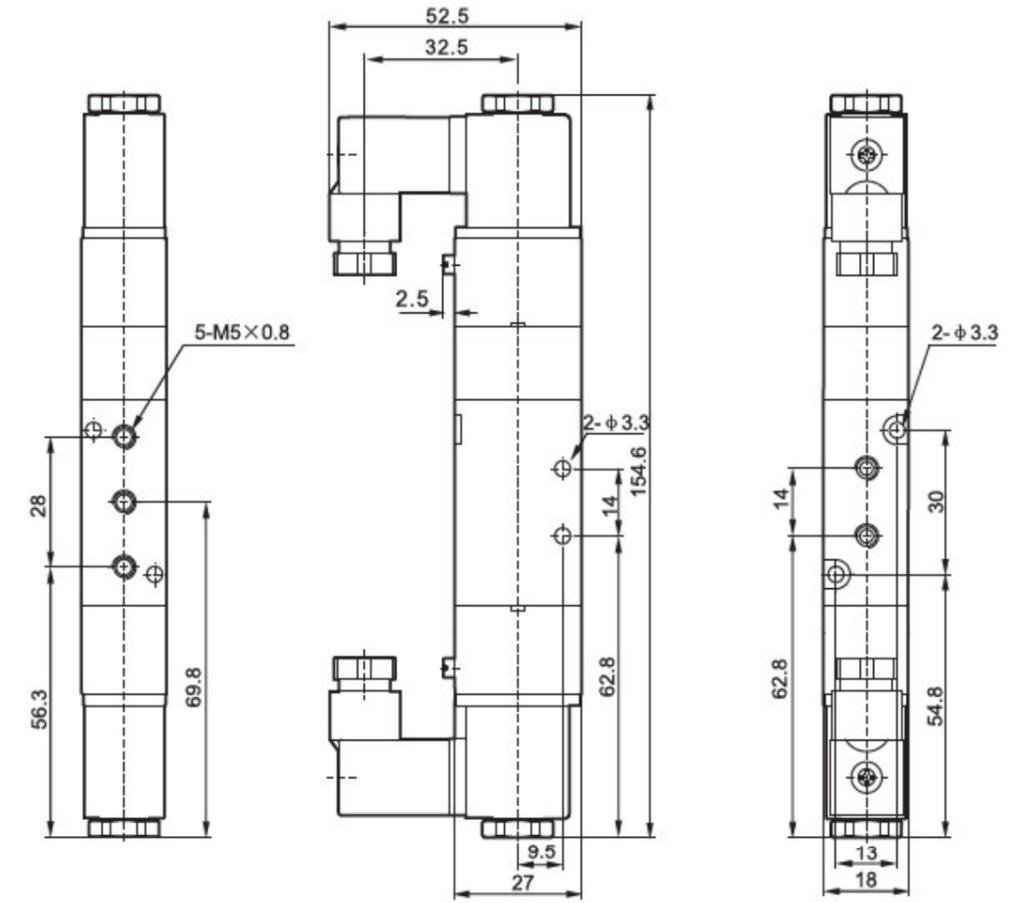
4V110-06



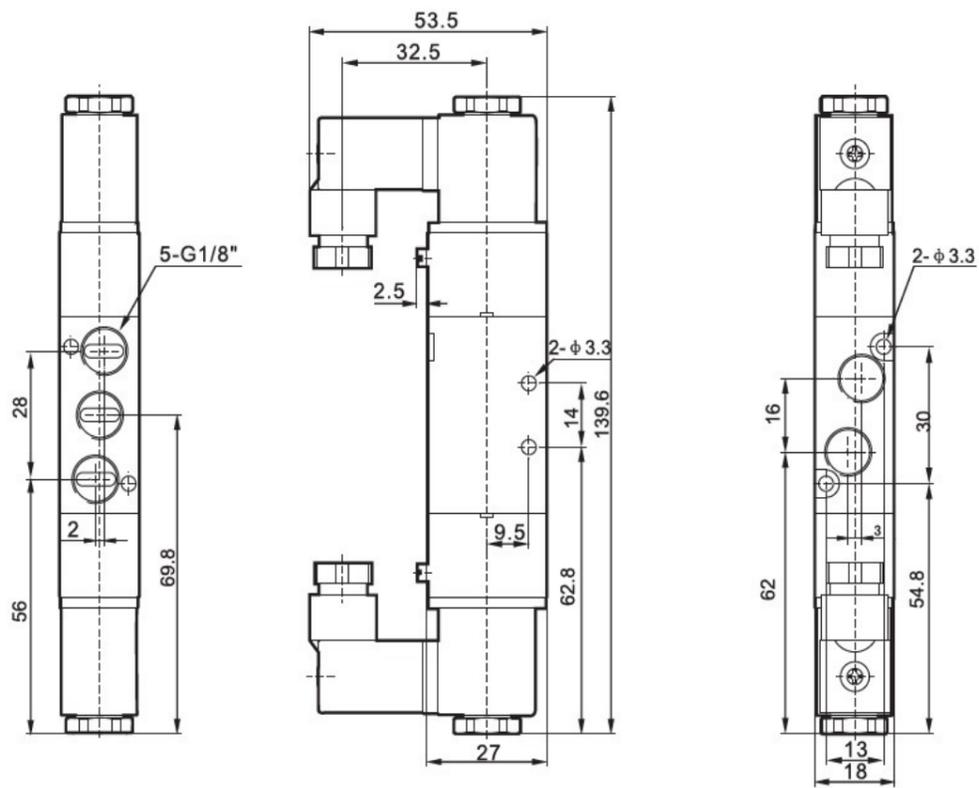
4V120-M5



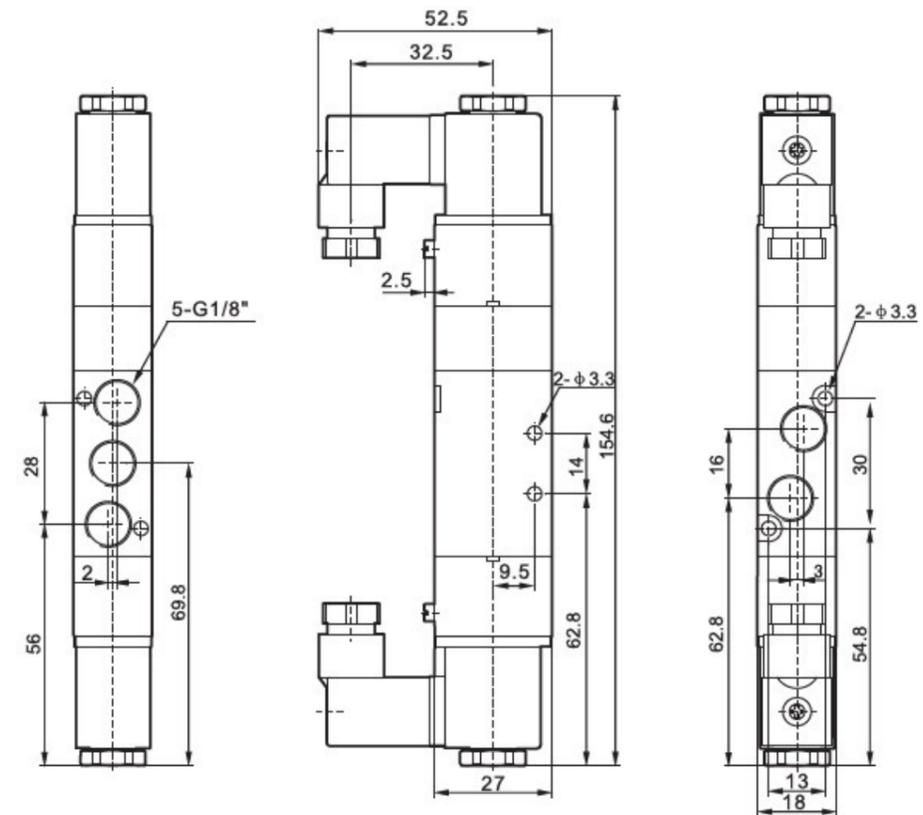
4V130C-M5



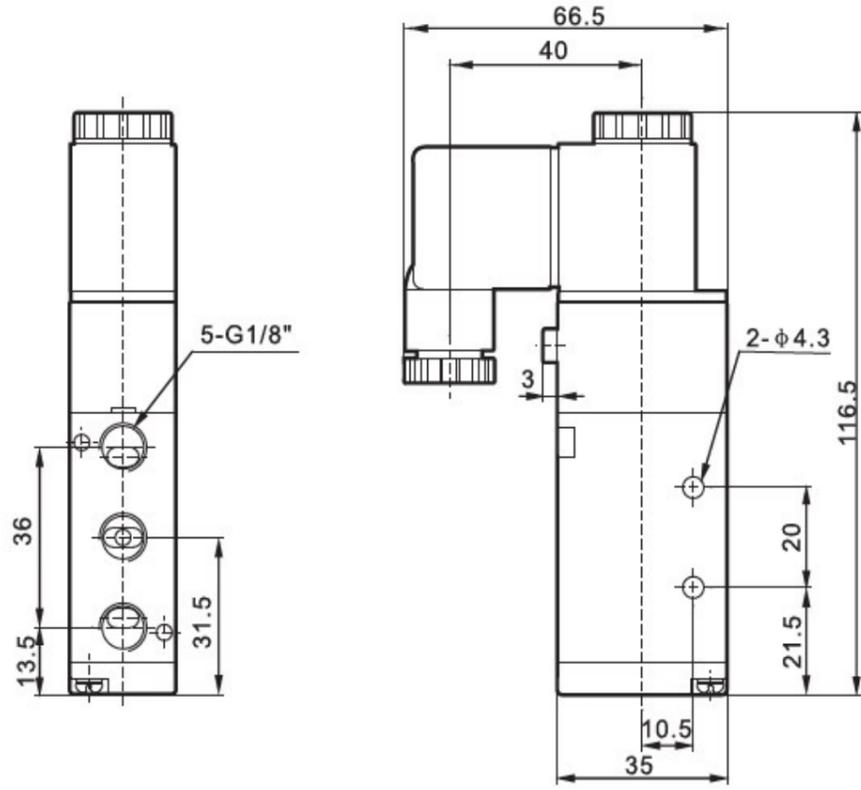
4V120-06



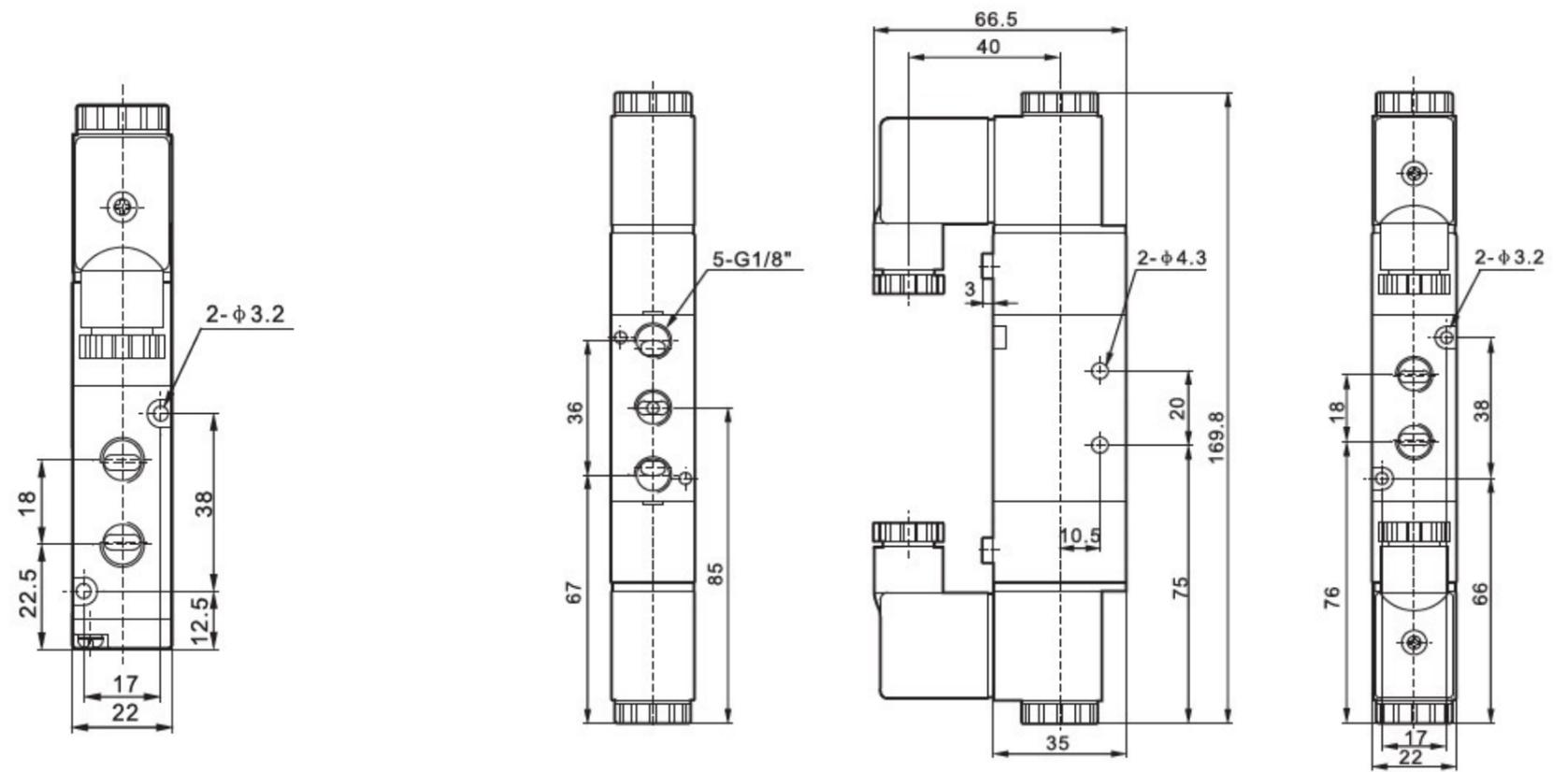
4V130C-06



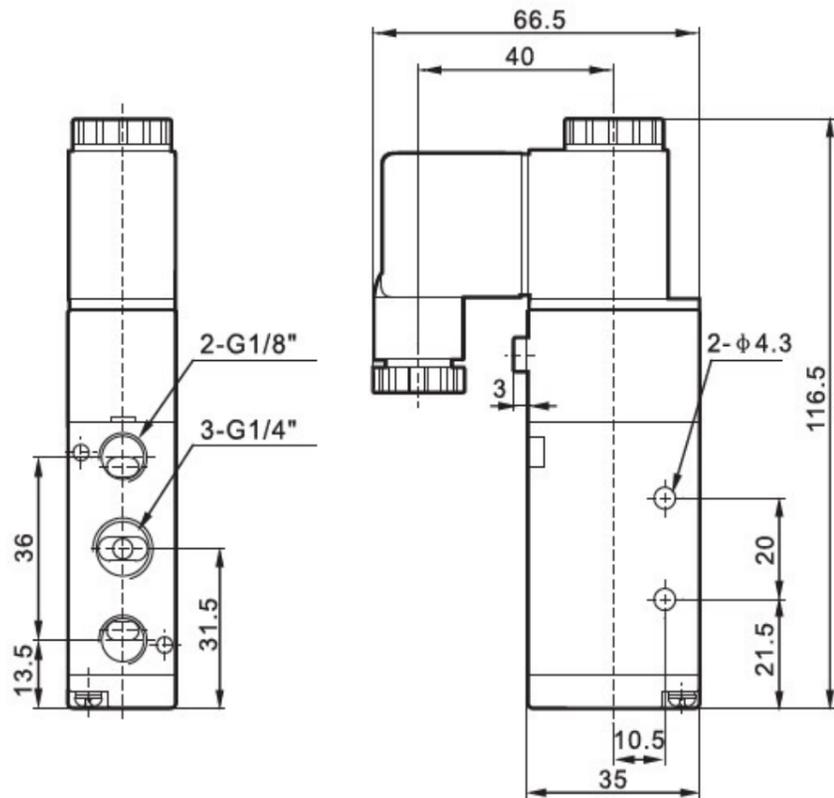
4V210-06



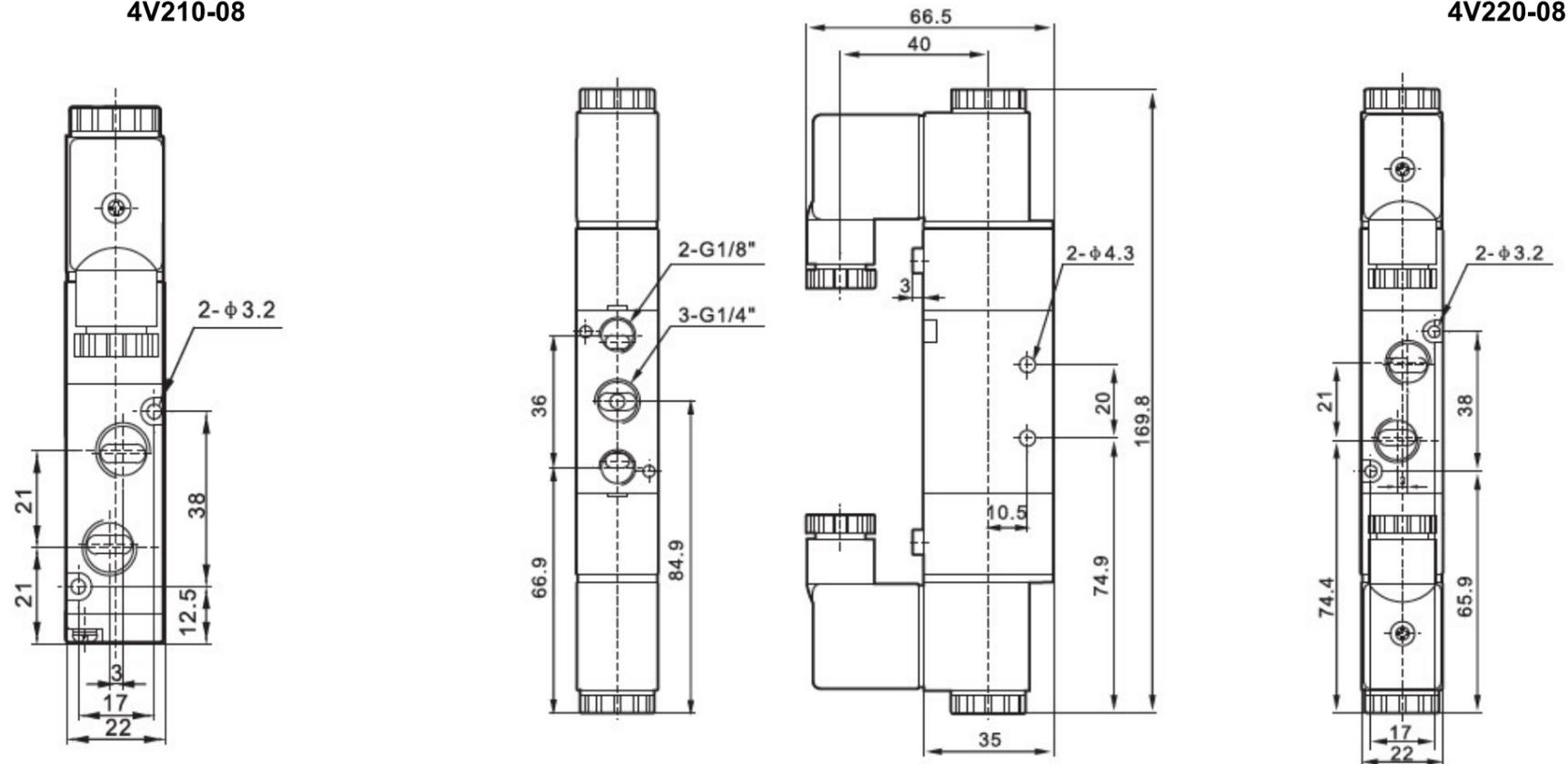
4V220-06



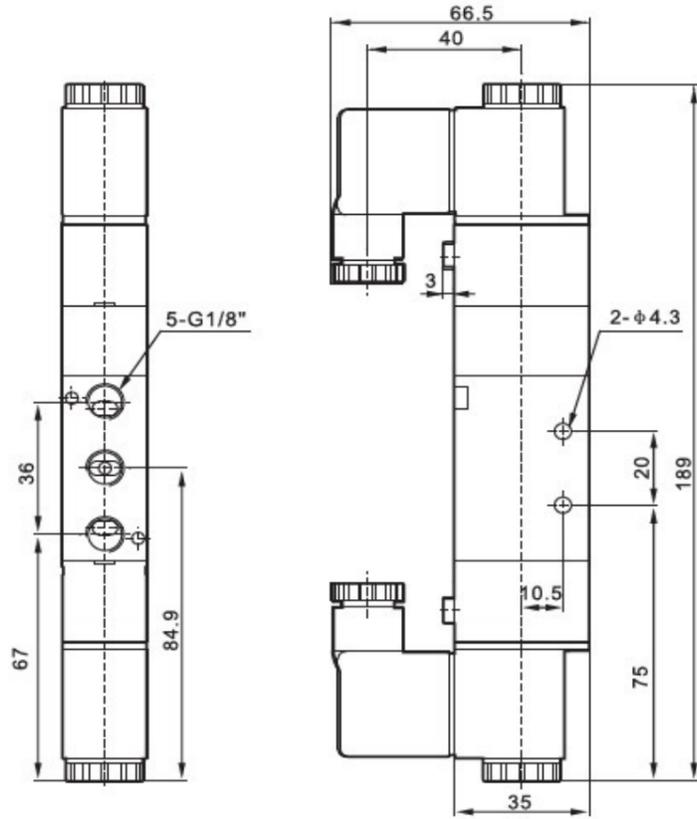
4V210-08



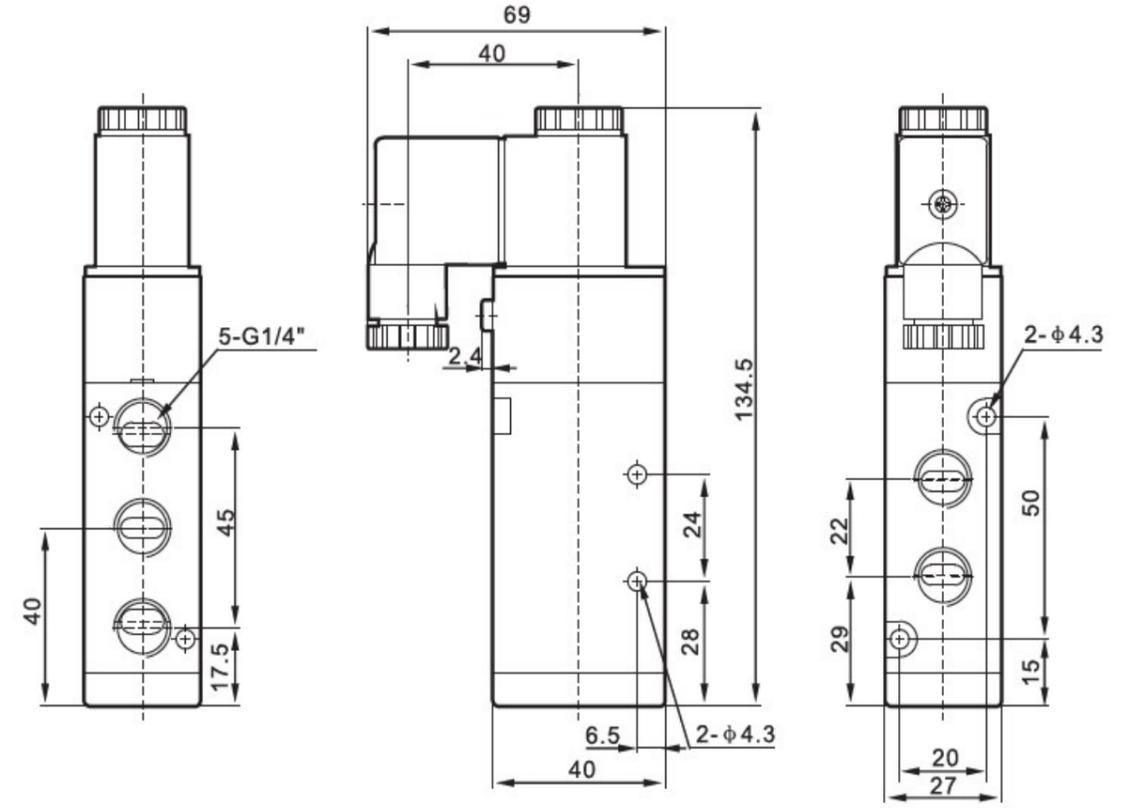
4V220-08



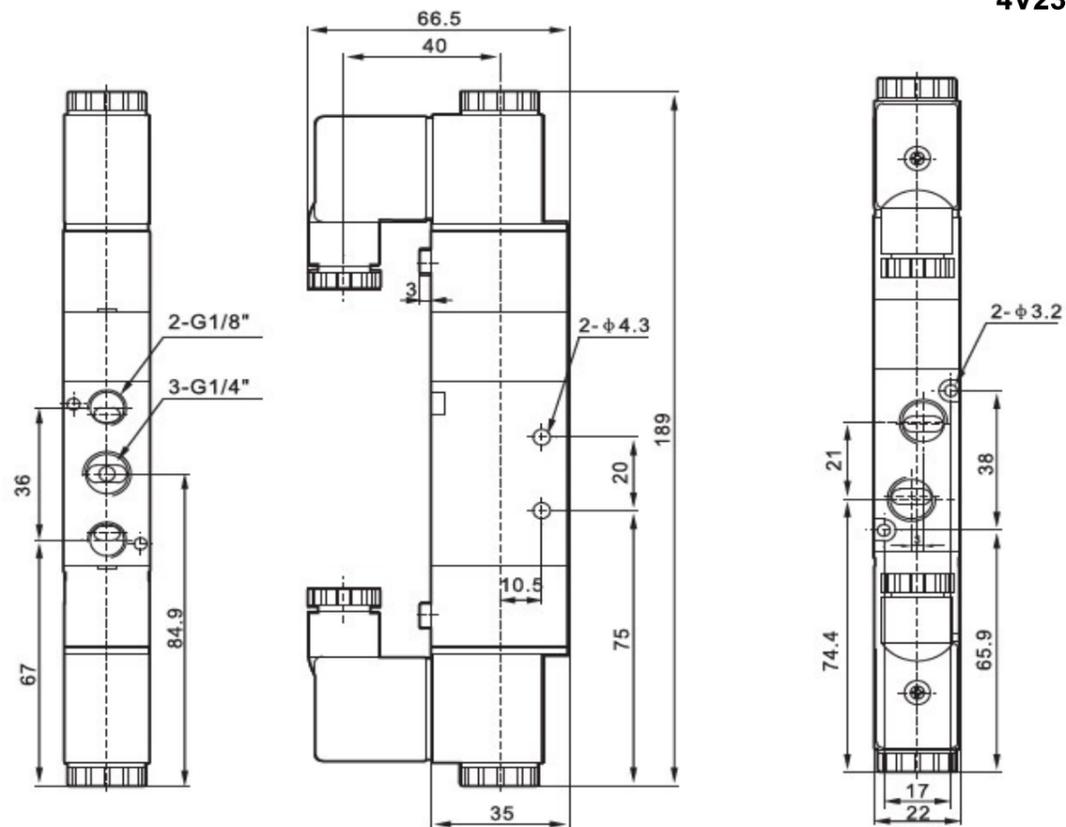
4V230C-06



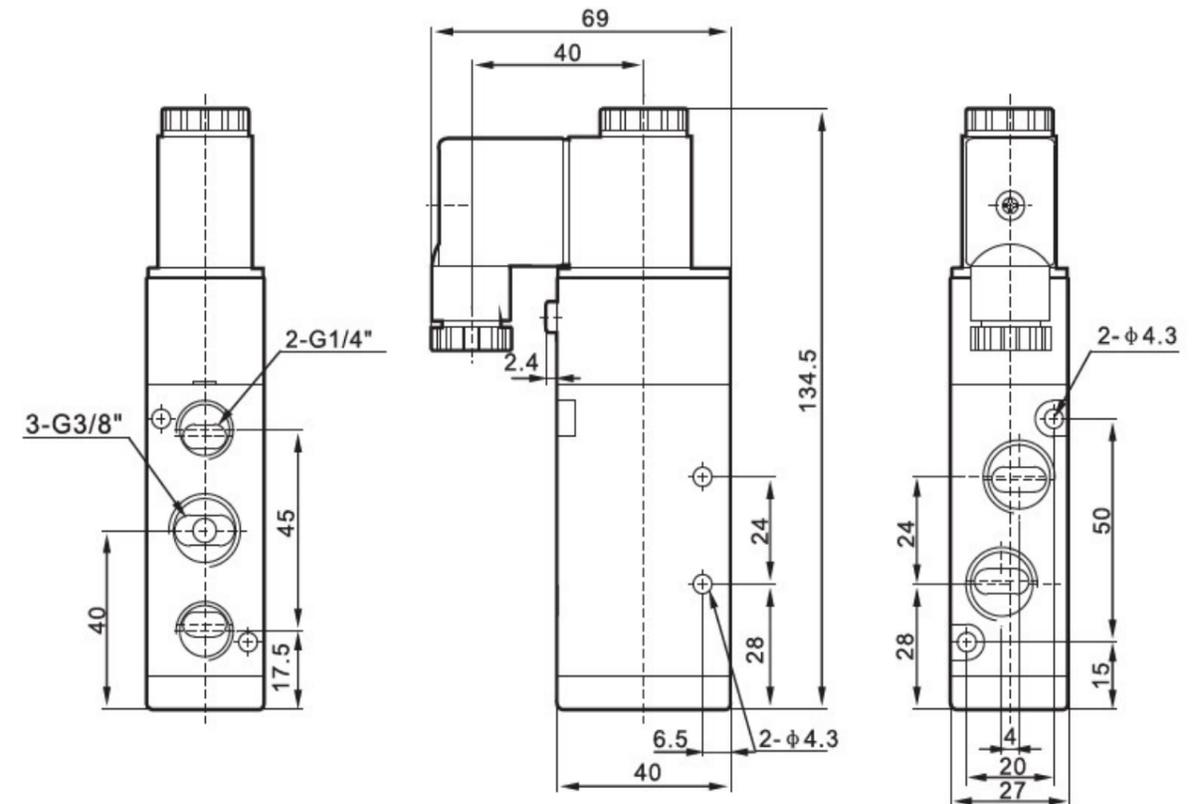
4V310-08



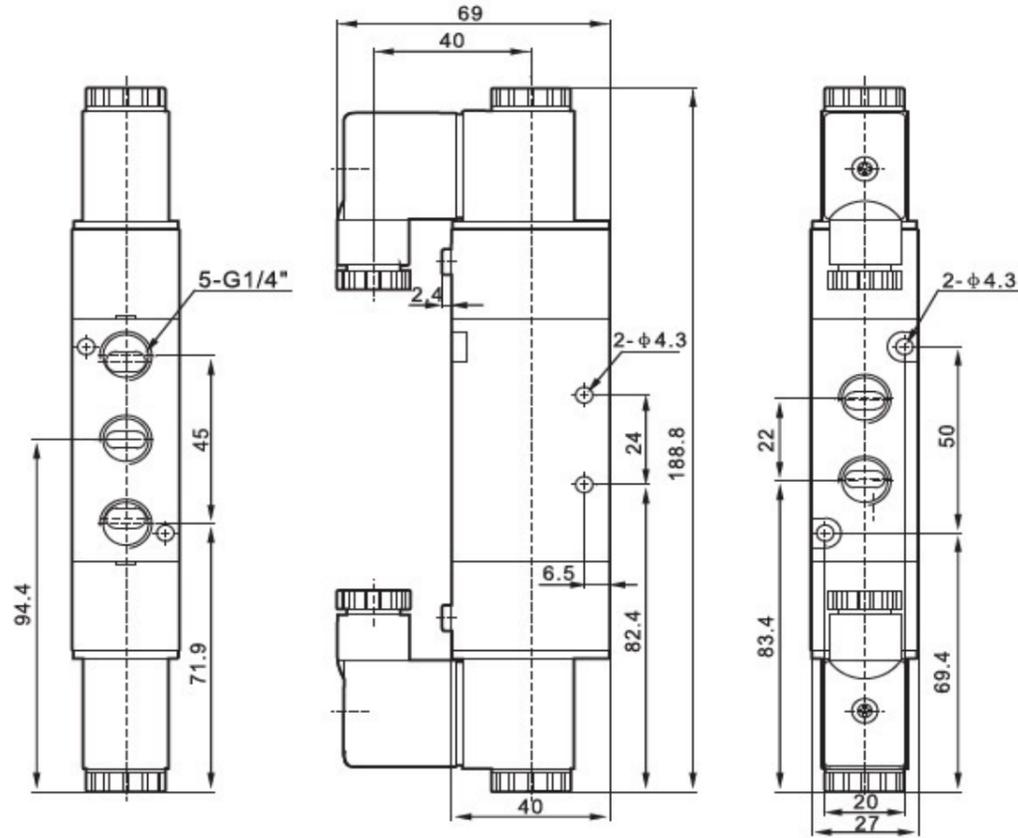
4V230C-08



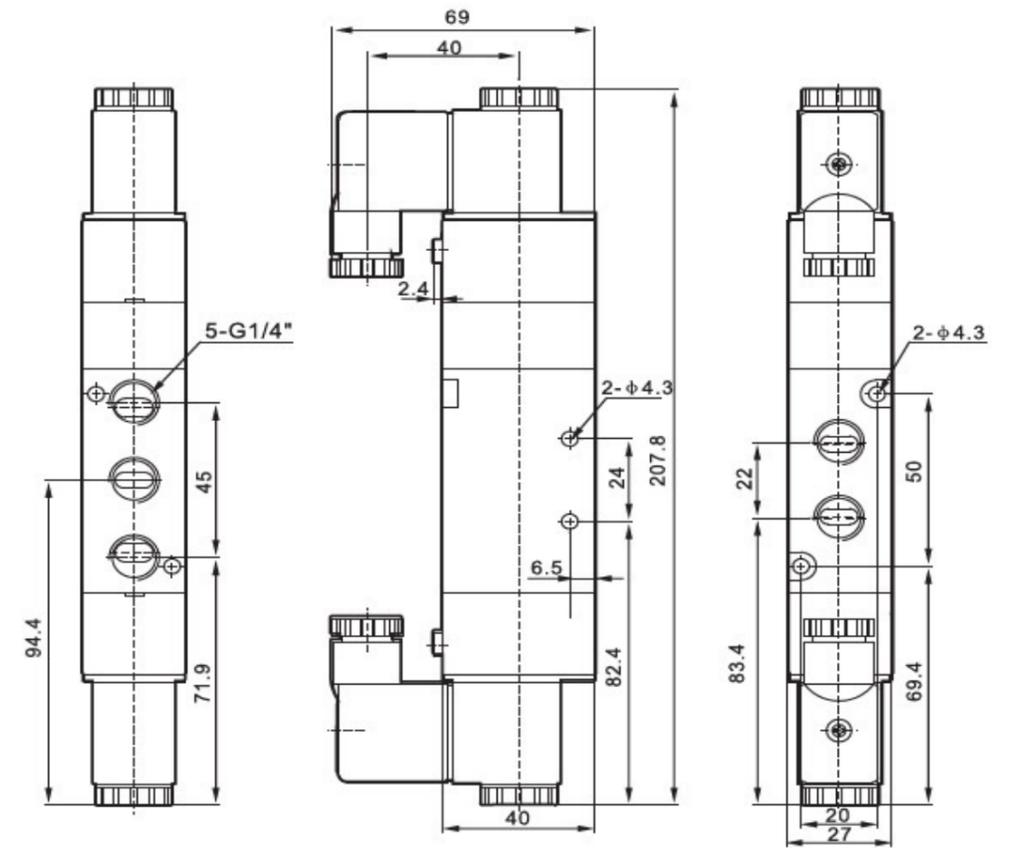
4V310 10



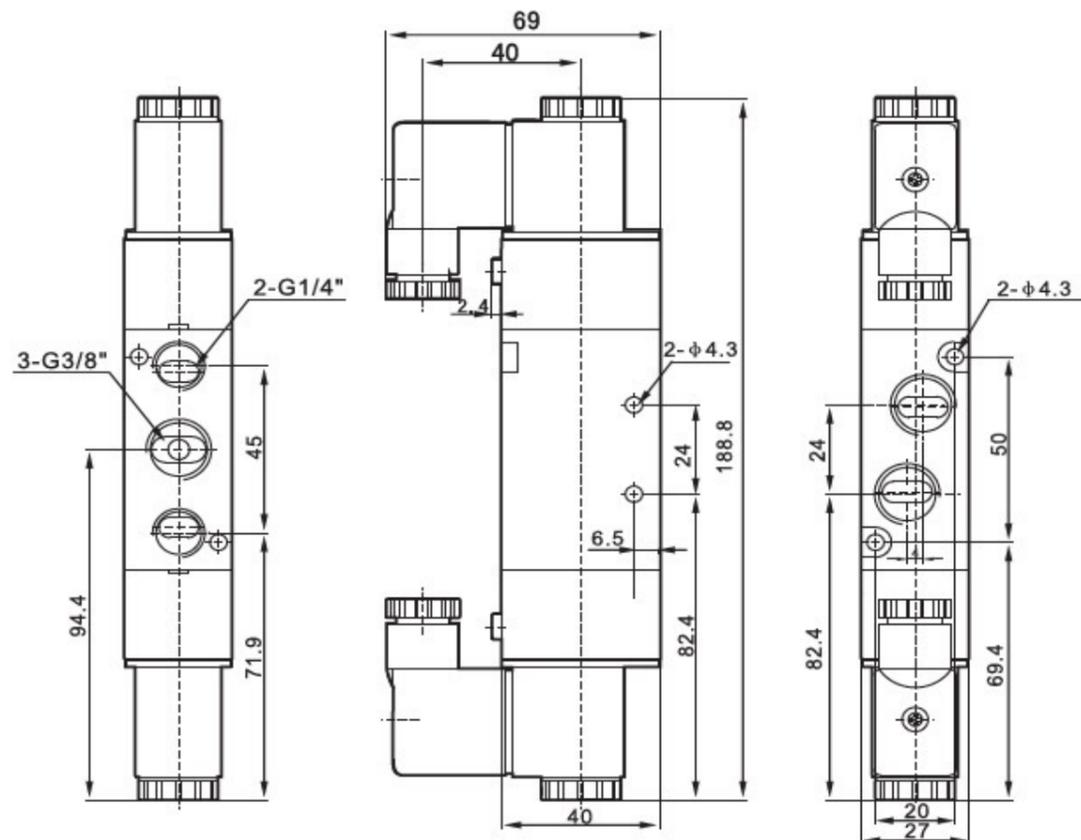
4V320-08



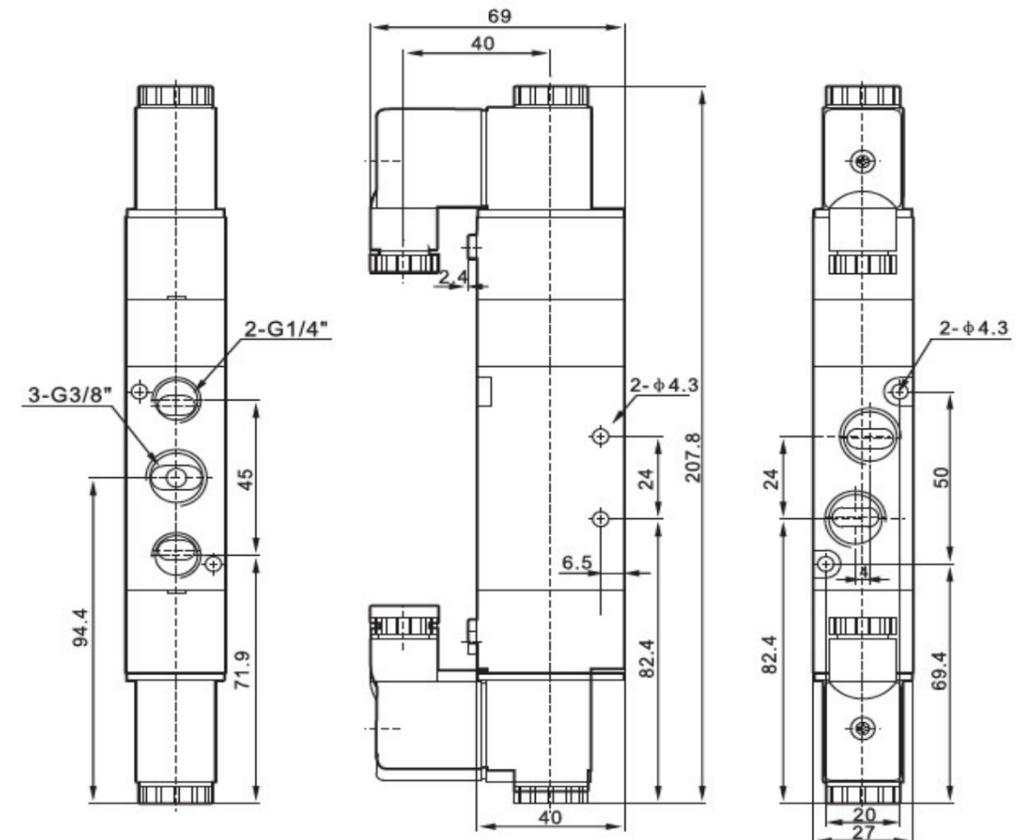
4V330C-08



4V320-10

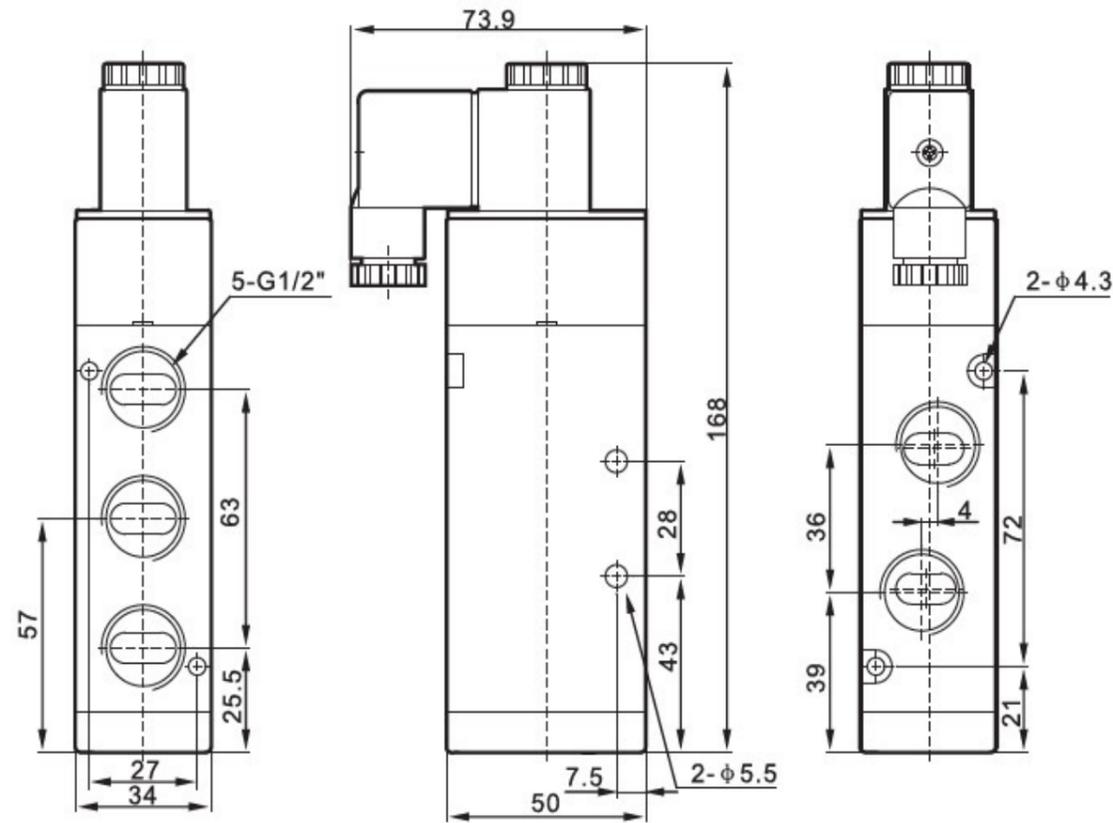


4V330C-10



4V410-15

3A Series 2positions/3ways Air Control Valve



3A110-06



3A210-08



3A310-10

1. Ordering Code :



Air Valve Type

3A: Two positions Three ways air control valve

Body size

1: 100 series(M5, G1/8) 2: 200 series(G1/8,G1/4)
3: 300 series(G1/4,G3/8) 4: 400 series(G1/2)

Coil and position

10: Single-head for two positions
20: Double-head for two positions
30C: Double-head center close type for three positions
30E: Double-head center exhaust type for three positions
30P: Double-head center pressure type for three positions

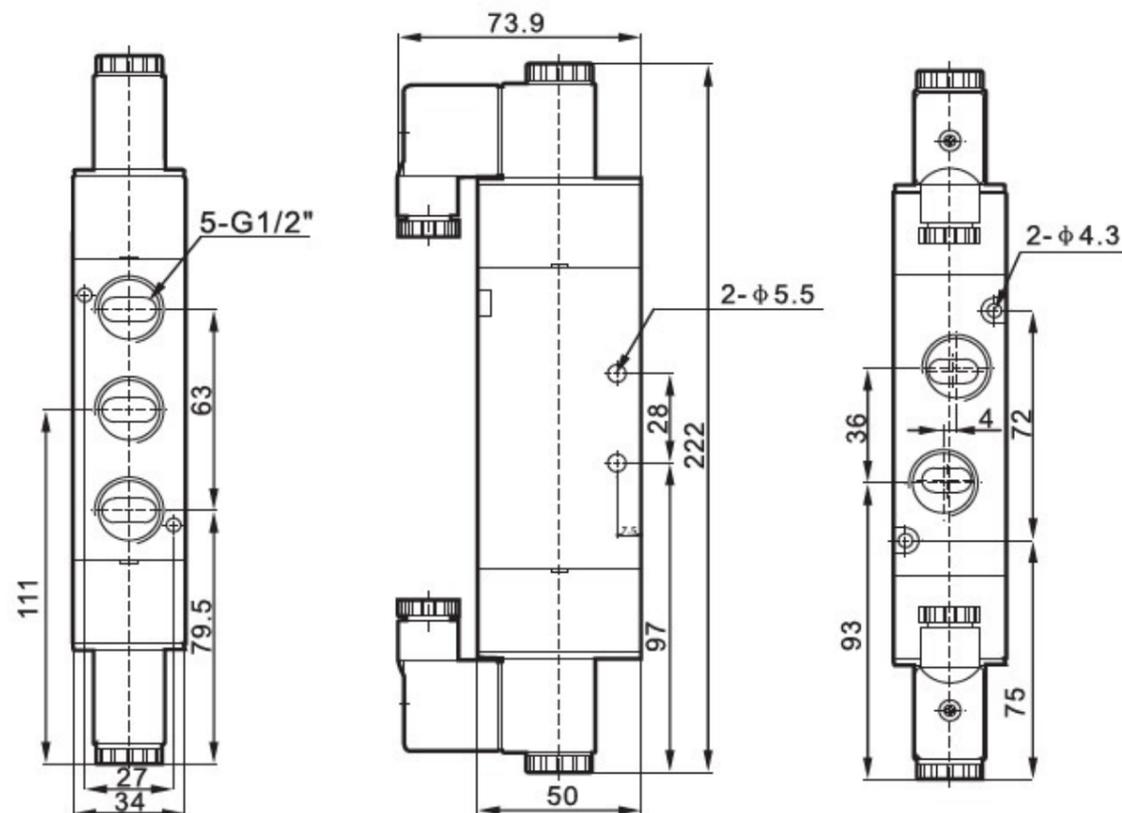
Connecting port size

06: G1/8 08: G1/4 M5: M5x0.8
10: G3/8 15: G1/2

Normal close or normal open

Blank: Normal close
NO: Normal open

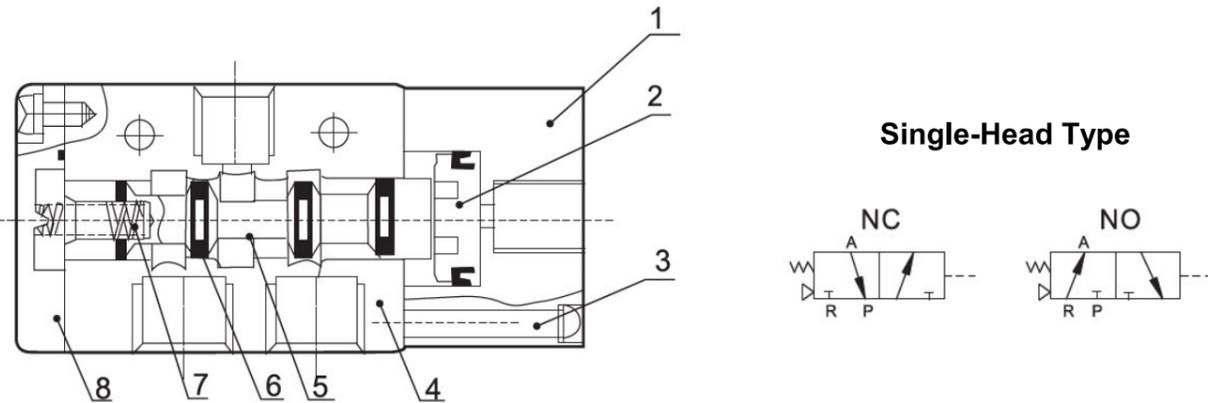
4V420-15
4V430C-15



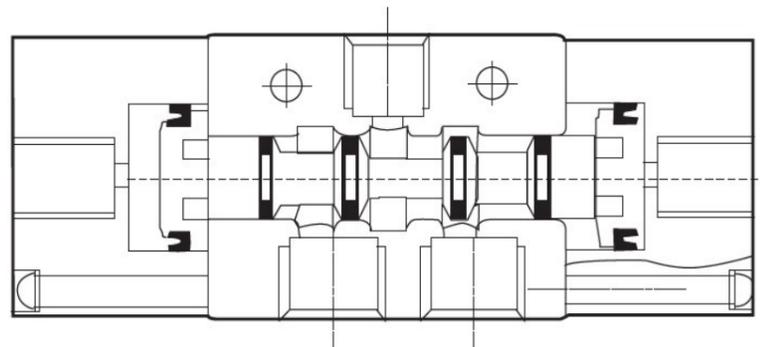
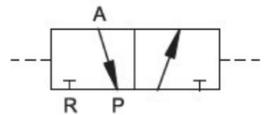
2.Characteristics:

- 1) This series air valves are with high dust prevention.
- 2) Different sealing materials are available like NBR, EPDM, VITON.
- 3) Pressure unit: 1kgf/cm²=1bar=0.1MPa=100KPa=14.5psi
- 4) Different thread types can be offered according to customers' requirements, e.g.: PT, NPT etc.

3.Internal Structure:



Double-Head Type



4.Specification:

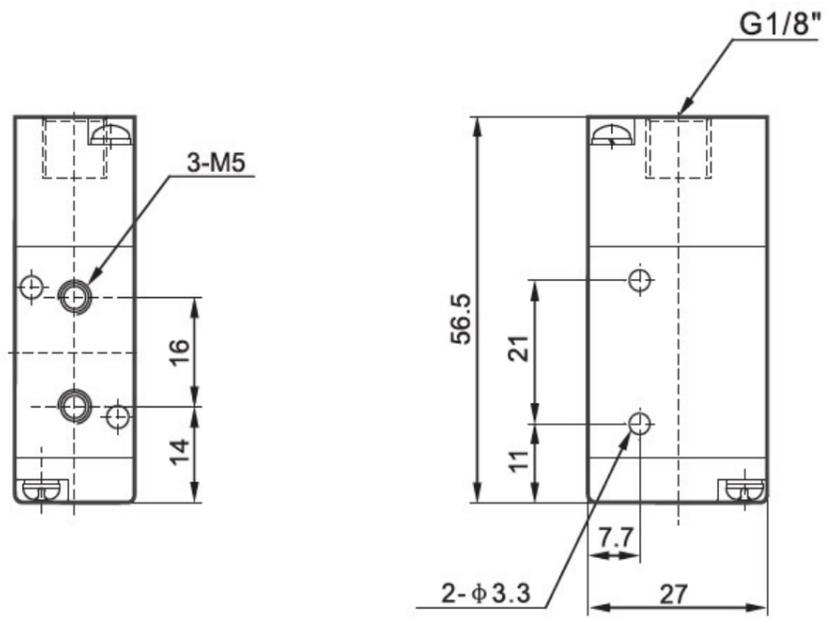
Model	Acting head	3A100 Series		3A200 Series		3A300 Series		3A400 Series
	Single head	3A110-M5	3A110-06	3A210-06	3A210-08	3A310-08	3A310-10	3A410-15
	Double head	3A120-M5	3A120-06	3A220-06	3A220-08	3A320-08	3A320-10	3A420-15
Applicable medium		≤40μ Filtered Air						
Motion pattern		Inner guide type						
Working pressure		0.15~0.8 MPa						
Proof Pressure		1.2MPa						
Temperature range		NBR: 5℃~50℃						
Port size		M5x0.8	G1/8	G1/8	G1/4	G1/4	G3/8	G1/2
Effective section area (mm ²)		10	12	14	16	25	30	50
Cv Value		0.56	0.67	0.78	0.89	1.4	1.68	2.79
Material of body		Aluminum alloy						
Highest action frequency		5 cycles/second						
Shortest excitation time		0.05 s						
Sealing material		NBR or VITON						

* 1 kgf/cm² = 1 bar = 0.1 Mpa = 100KPa = 14.5psi

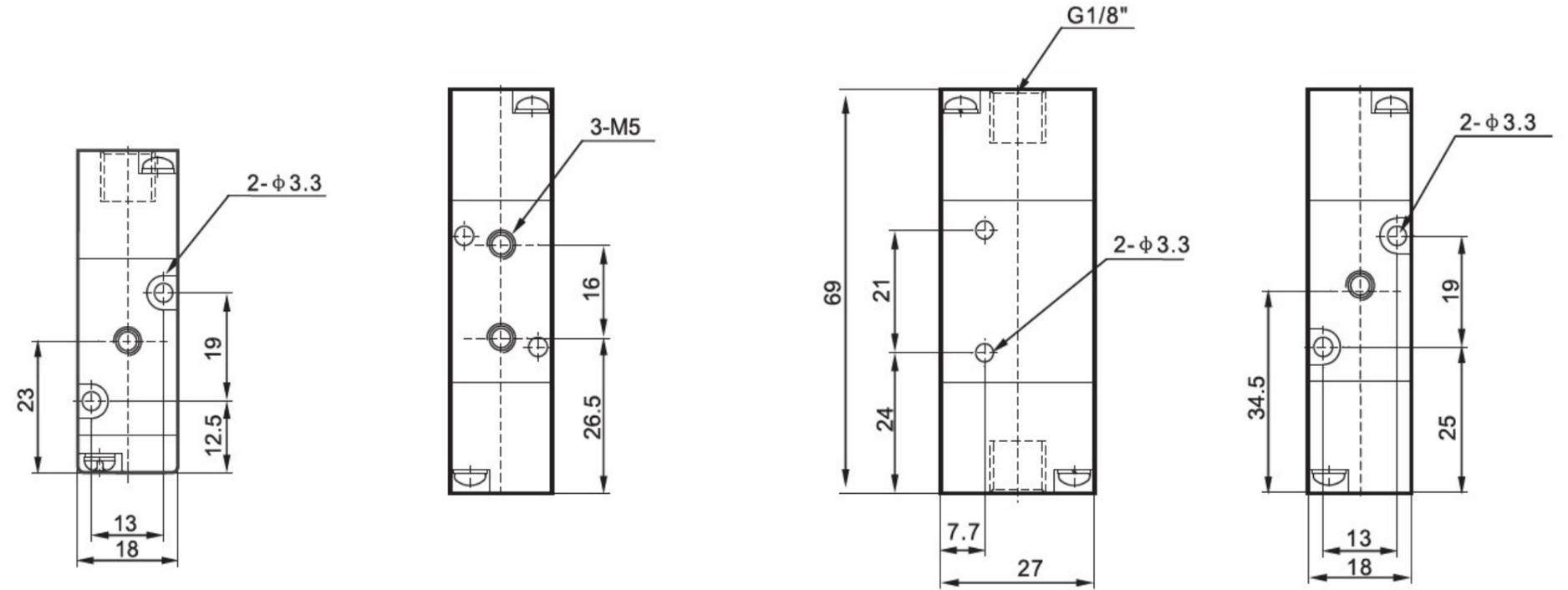
No.:	Designation	No.:	Designation	No.:	Designation
1.	Air control cover	4.	Valve body	7.	Spring
2.	Piston	5.	Spool	8.	Rear cover
3.	Screw	6.	O ring		

5. Overall and Dimension Sheet:

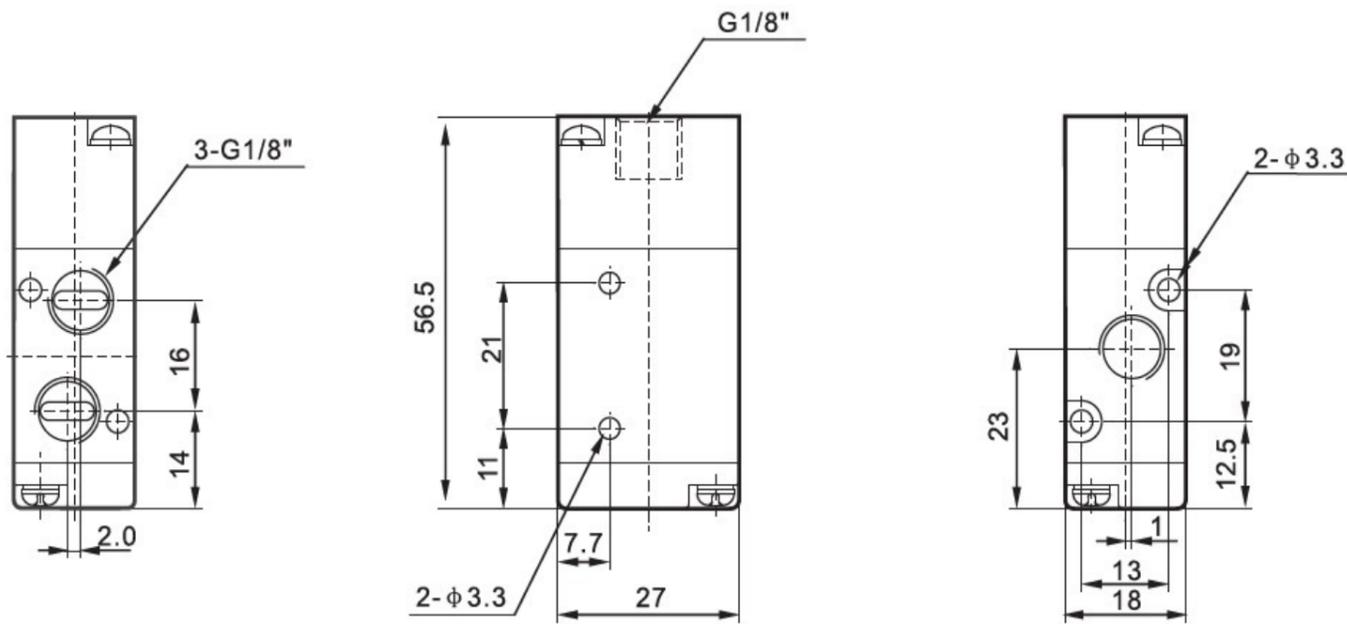
3A110-M5



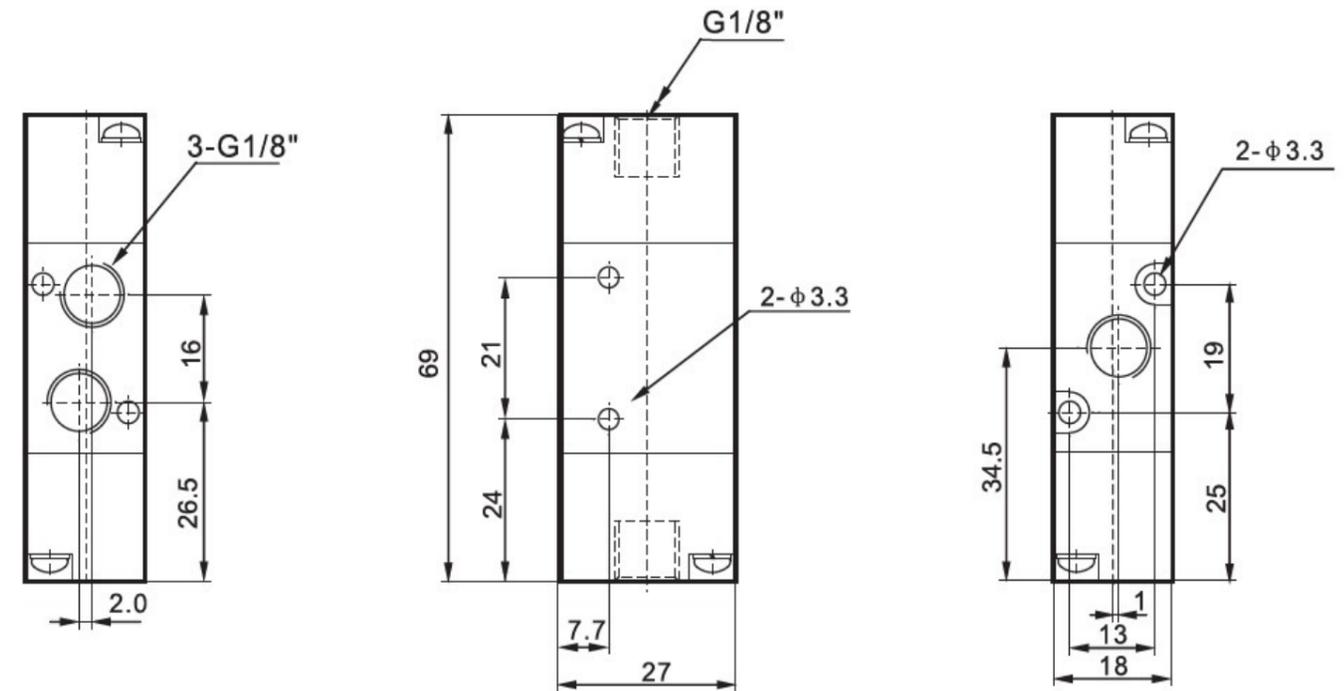
3A120-M5



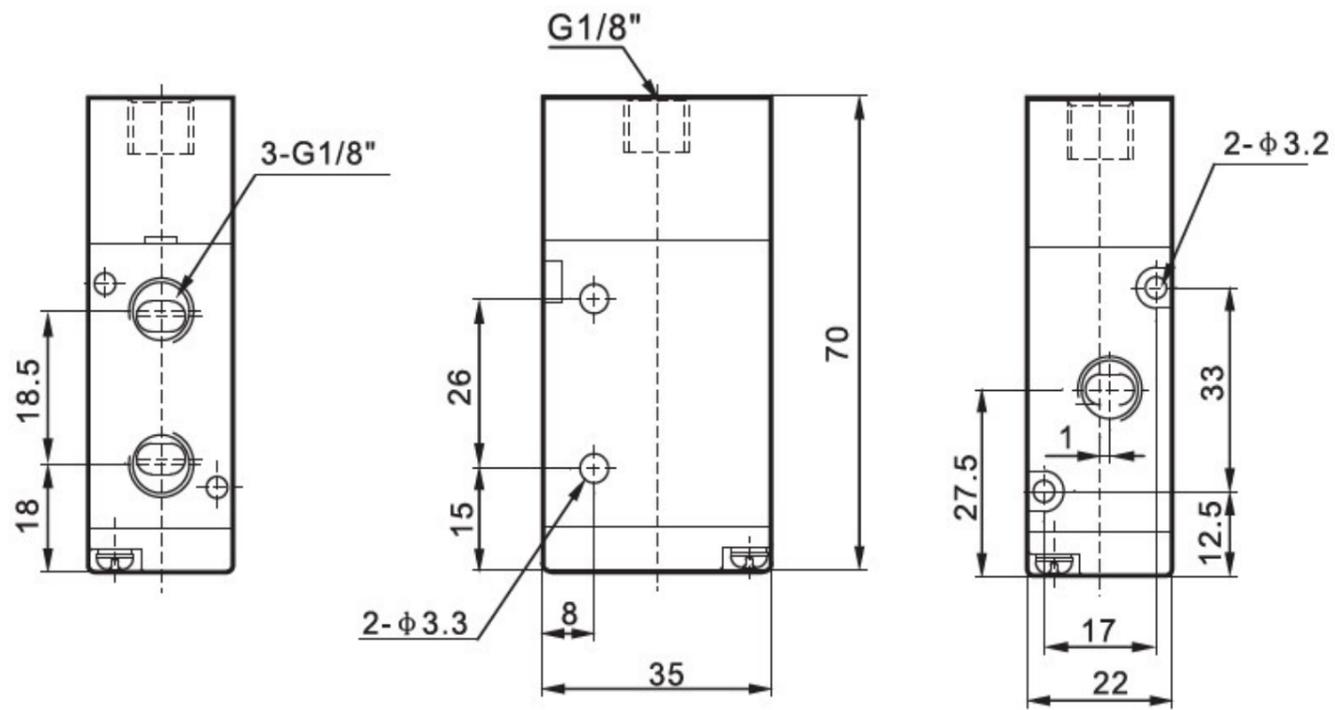
3A110-06



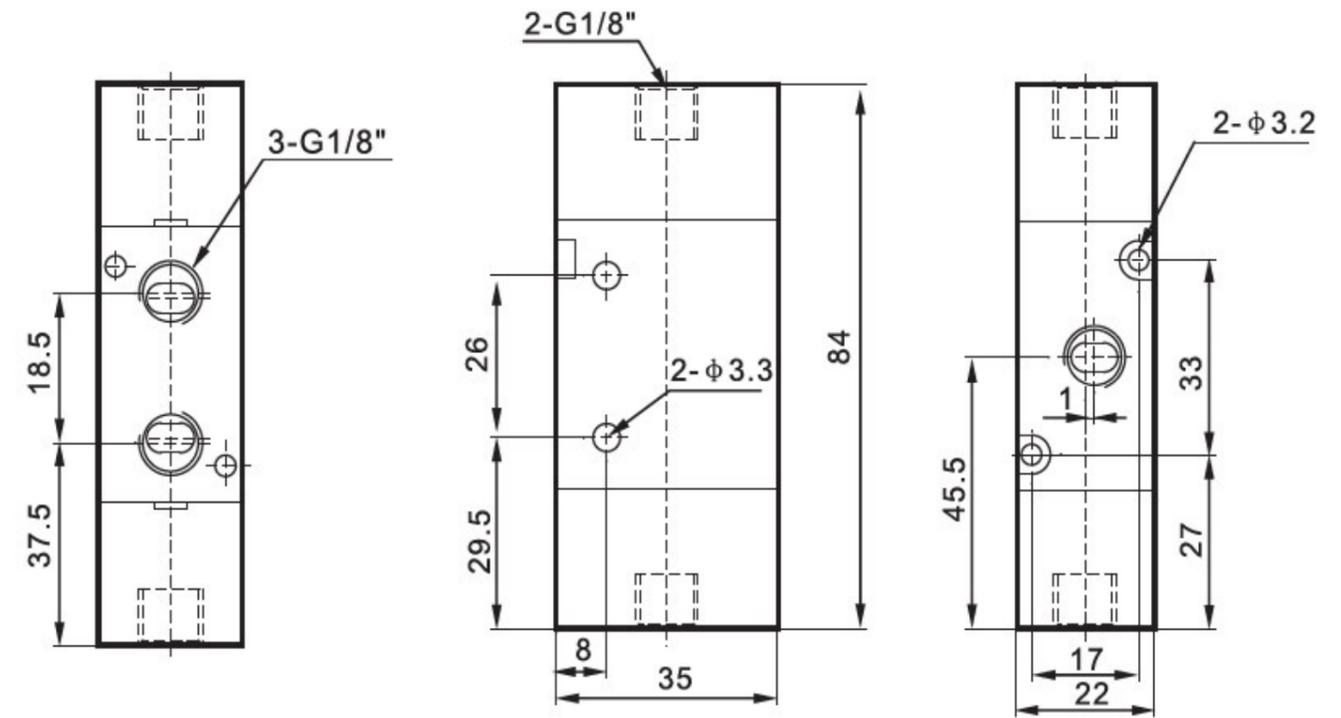
3A120-06



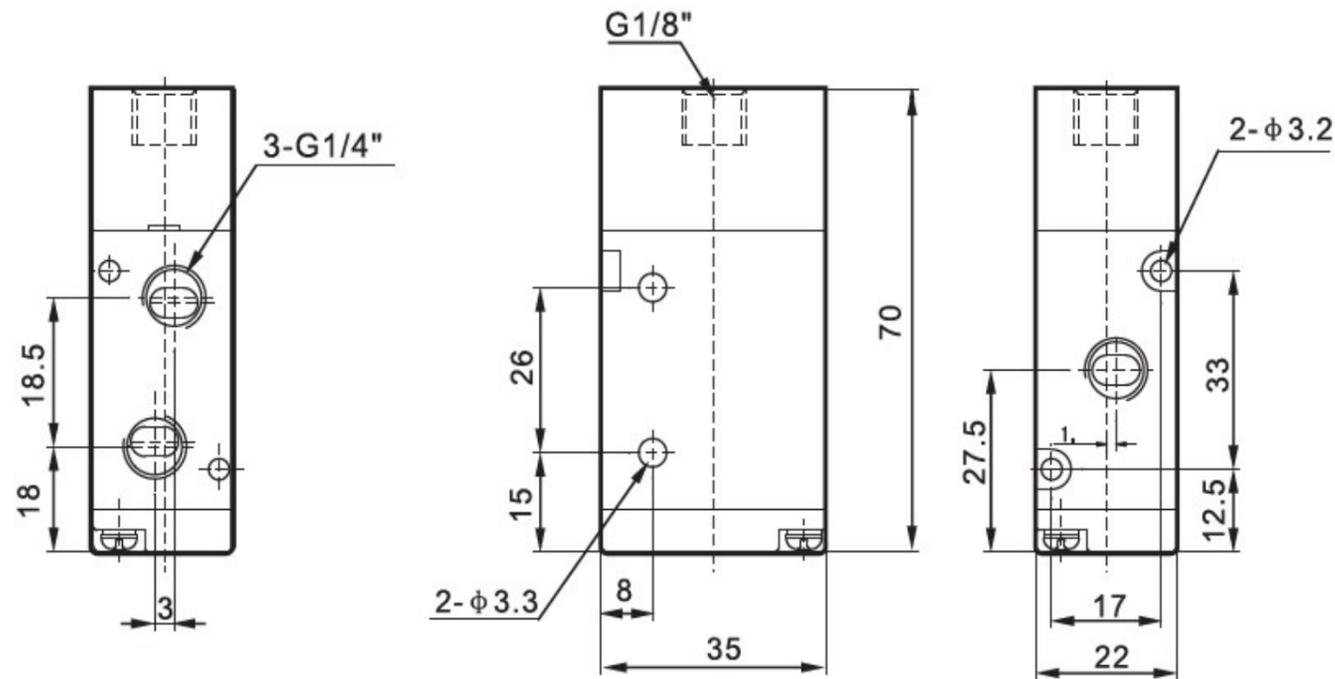
3A210-06



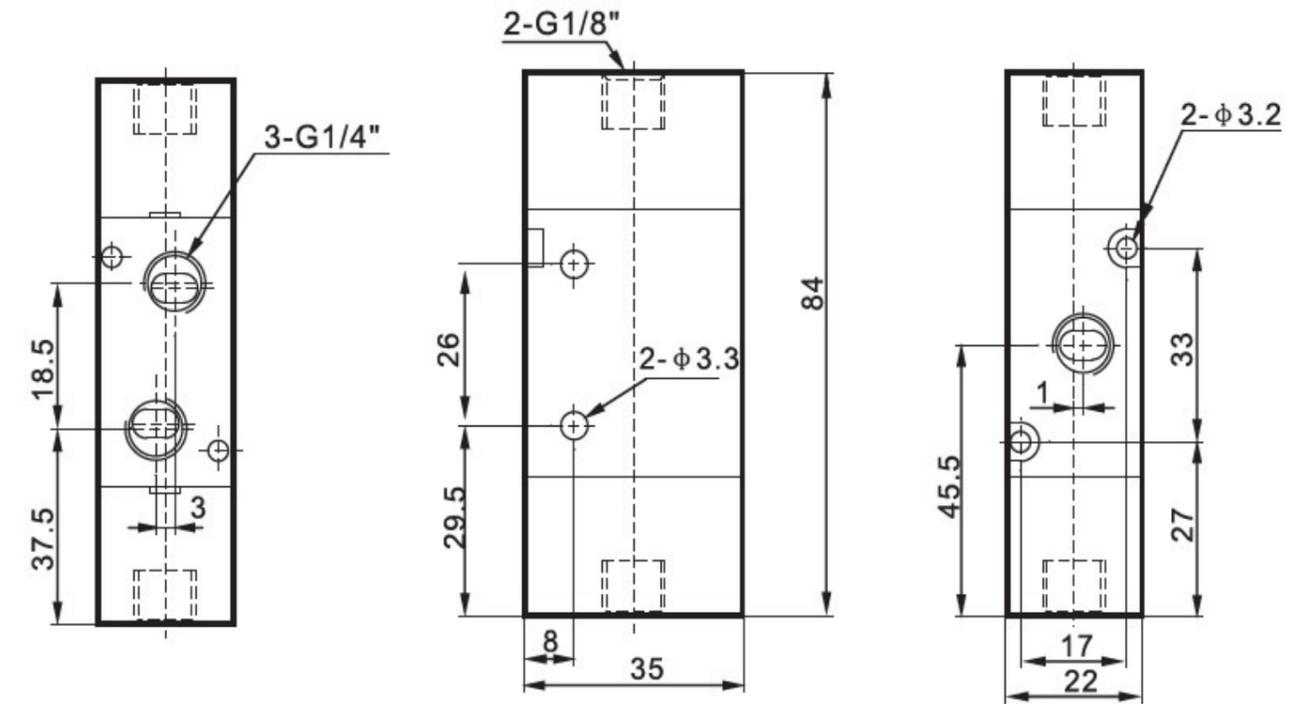
3A220-06



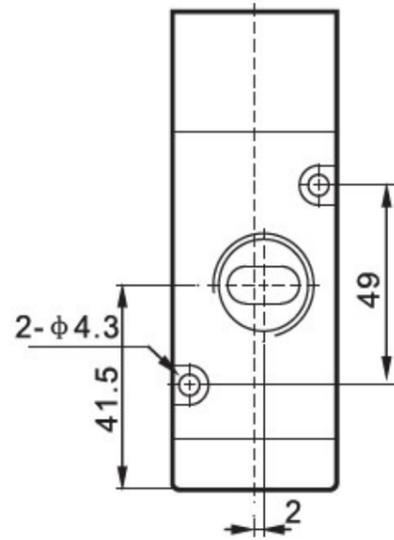
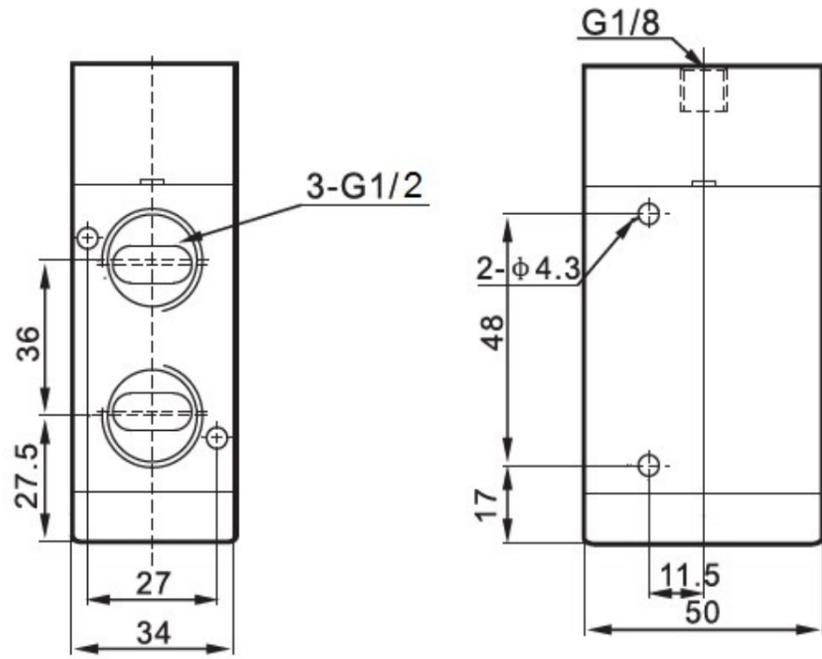
3A210-08



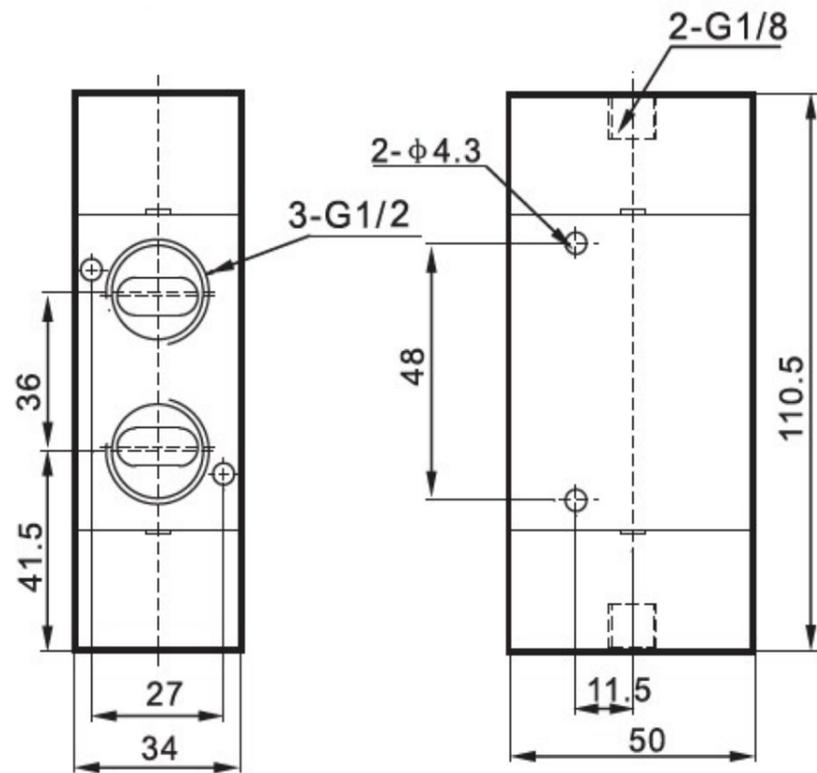
3A220-08



3A410-15



3A420-15



4A Series 2positions/5ways Air Control Valve



4A210-08



4A220-08



4A310-10

1.Ordering Code :



Air Valve Type

4A: Two positions Five ways air control valve

Body size

1: 100 series(M5, G1/8) 2: 200 series(G1/8,G1/4)
3: 300 series(G1/4,G3/8) 4: 400 series(G1/2)

Coil and position

10: Single-head for two positions
20: Double-head for two positions
30C: Double-head center close type for three positions
30E: Double-head center exhaust type for three positions
30P: Double-head center pressure type for three positions

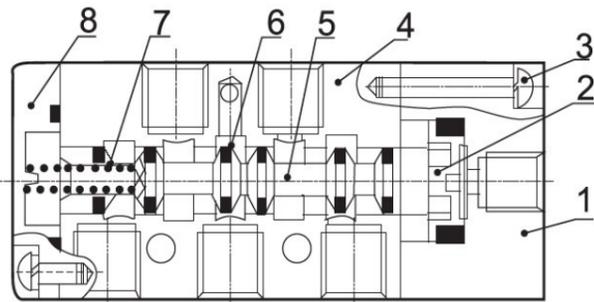
Connecting port size

06: G1/8 08: G1/4 M5: M5x0.8
10: G3/8 15: G1/2

2.Characteristics:

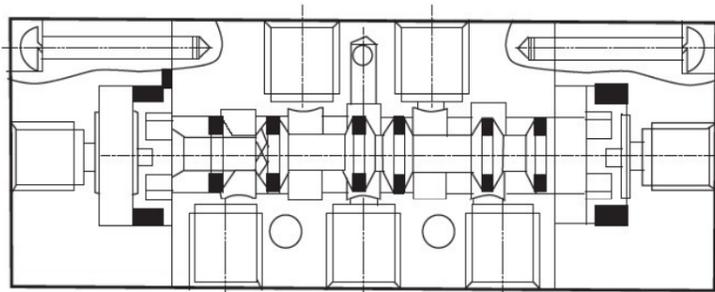
- 1) This series air valves are with high dust prevention.
- 2) Different sealing materials are available like NBR, EPDM, VITON.
- 3) Pressure unit: 1kgf/cm²=1bar=0.1MPa=100KPa=14.5psi
- 4) Different thread types can be offered according to customers' requirements, e.g.: PT, NPT etc.

3.Internal Structure:

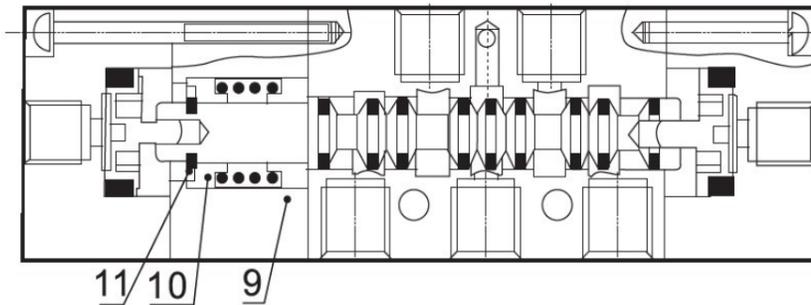


Single-Head Type
(4A110~4A410)

Double-Head Type
(4A120~4A420)



Double-Head Type
(4A130~4A430)



4.Specification:

Model	Acting head	4A100 Series		4A200 Series		4A300 Series		4A400 Series
	Single head	4A110-M5	4A110-06	4A210-06	4A210-08	4A310-08	4A310-10	4A410-15
Double head	4A120-M5	4A120-06	4A220-06	4A220-08	4A320-08	4A320-10	4A420-15	
Center close	4A130C-M5	4A130C-06	4A230C-06	4A230C-08	4A330C-08	4A330C-10	4A430C-15	
Center exhaust	4A130E-M5	4A130E-06	4A230E-06	4A230E-08	4A330E-08	4A330E-10	4A430E-15	
Center pressure	4A130P-M5	4A130P-06	4A230P-06	4A230P-08	4A330P-08	4A330P-10	4A430P-15	
Applicable medium	≤40μ Filtered Air							
Motion pattern	Inner guide type							
Working pressure	0.15~0.8 MPa							
Proof Pressure	1.2MPa							
Temperature range	NBR: 5℃~50℃							
Port size	M5x0.8	G1/8	G1/8	G1/4	G1/4	G3/8	G1/2	
Effective section area (mm ²)	10	12	14	16	25	30	50	
Cv Value	0.56	0.67	0.78	0.89	1.4	1.68	2.79	
Material of body	Aluminum alloy							
Highest action frequency	5 cycles/second							
Shortest excitation time	0.05 s							
Sealing material	NBR or VITON							

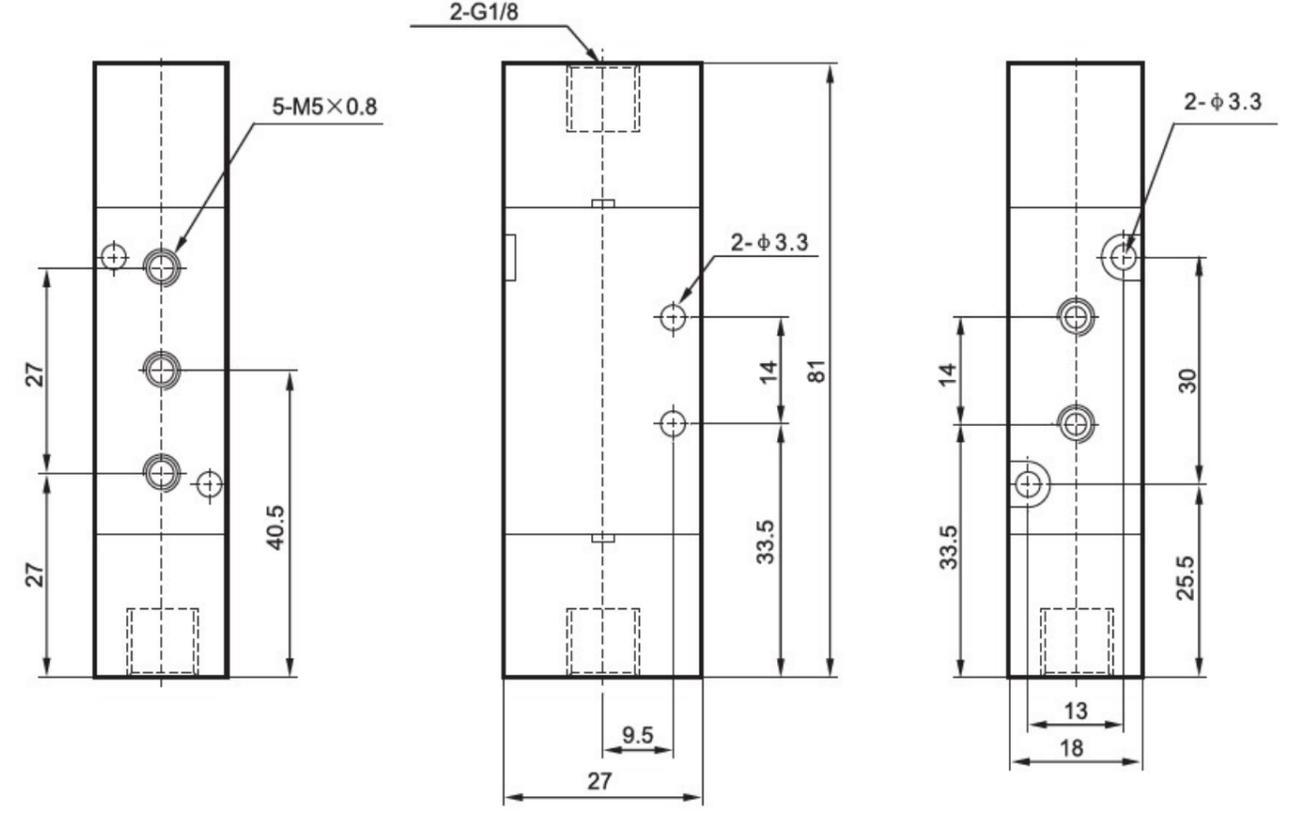
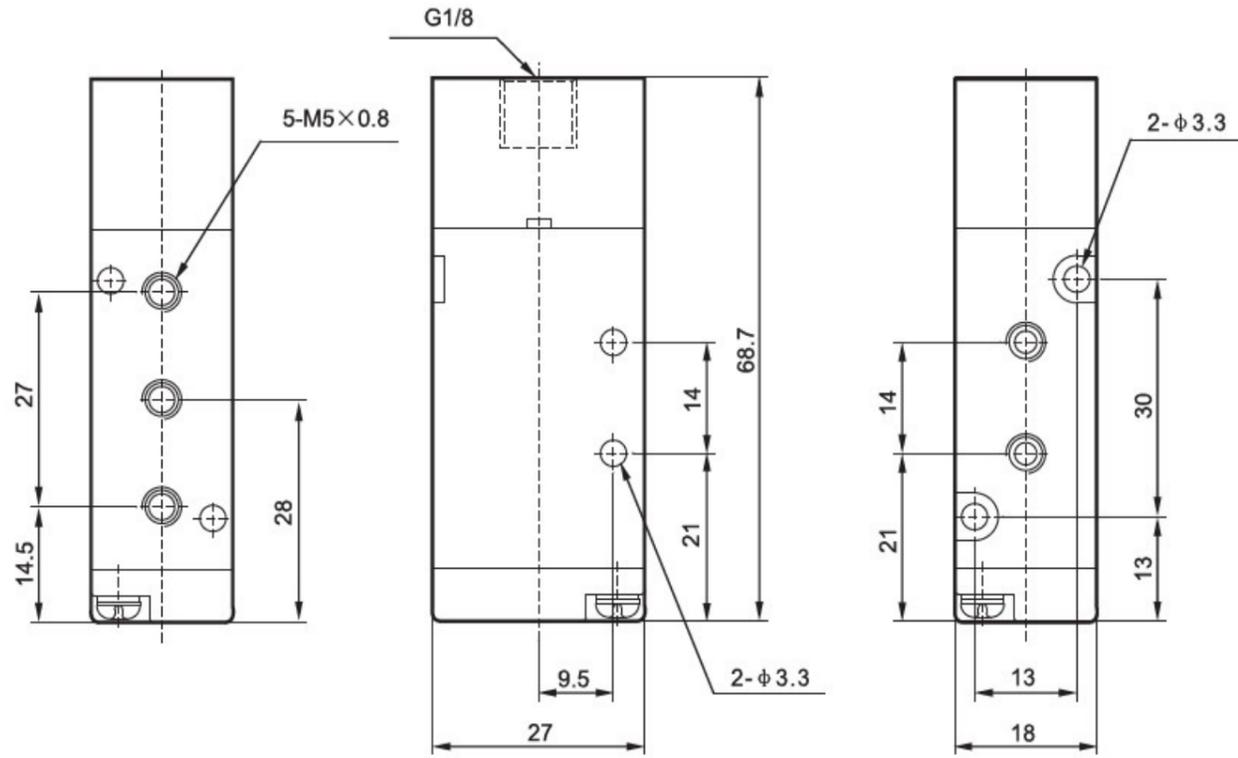
* 1 kgf/cm² = 1 bar = 0.1 Mpa = 100KPa = 14.5psi

No.:	Designation	No.:	Designation	No.:	Designation
1.	Air control cover	5.	Spool	9.	Back seat
2.	Piston	6.	O ring	10.	Spring seat
3.	Screw	7.	Spring	11.	C-type buckle
4.	Valve body	8.	Rear cover		

5. Overall and Dimension Sheet:

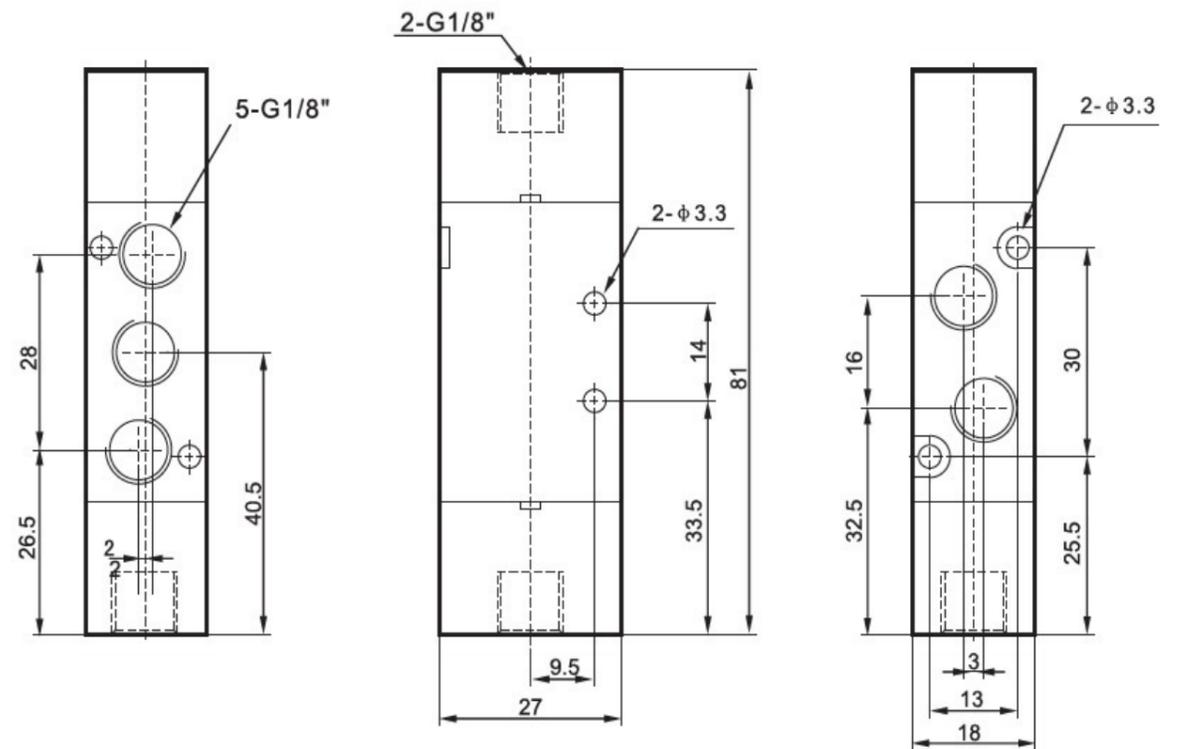
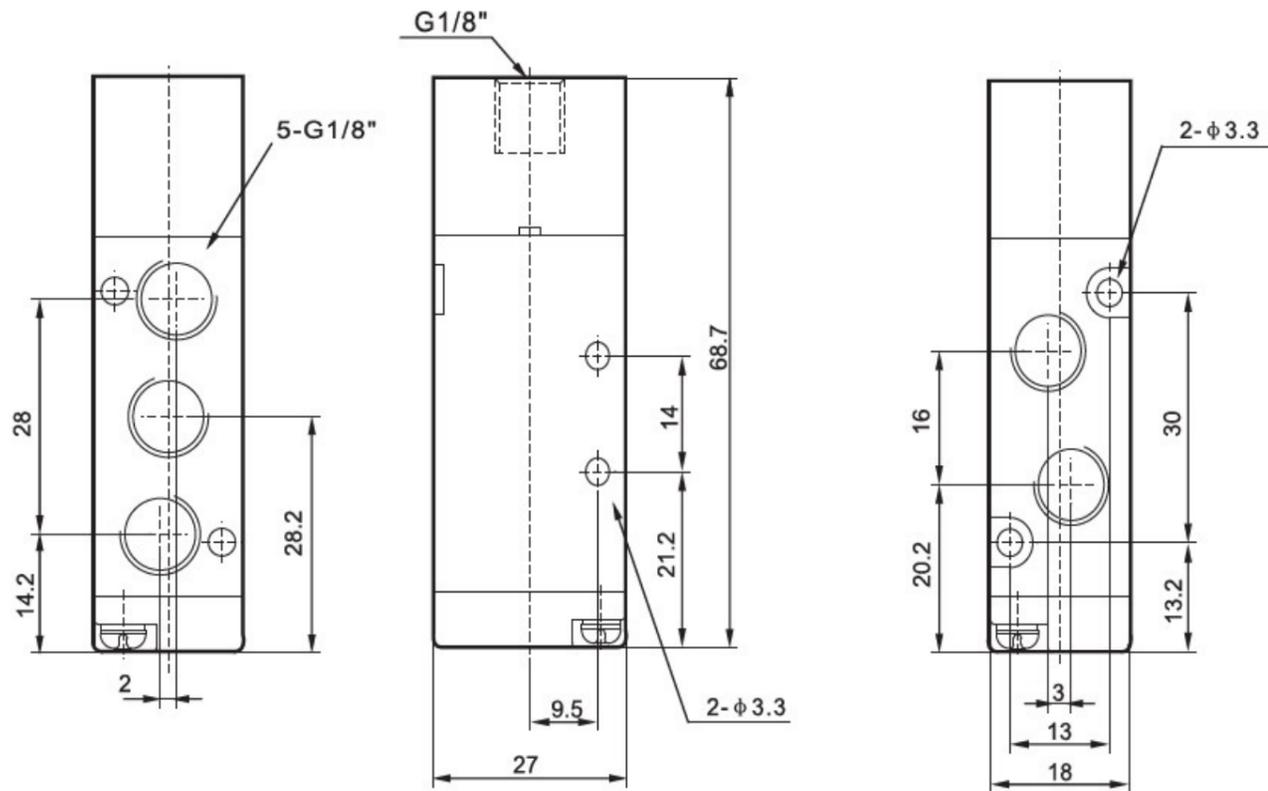
4A120-M5

4A110-M5

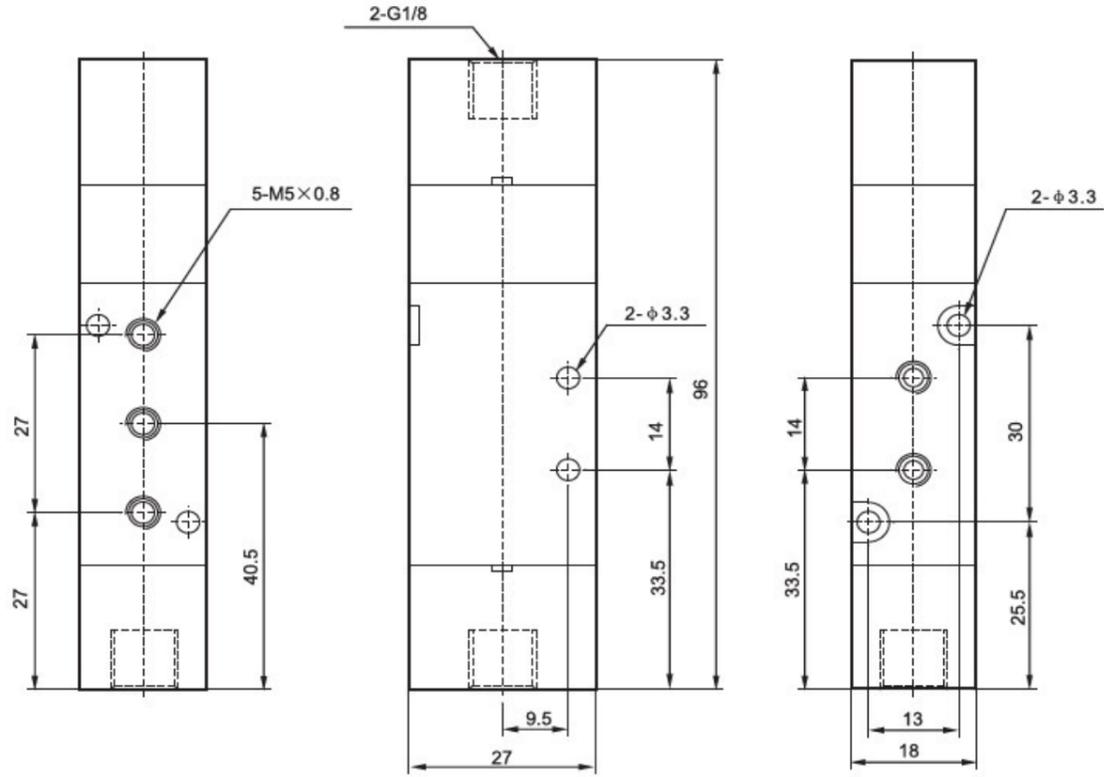


4A110-06

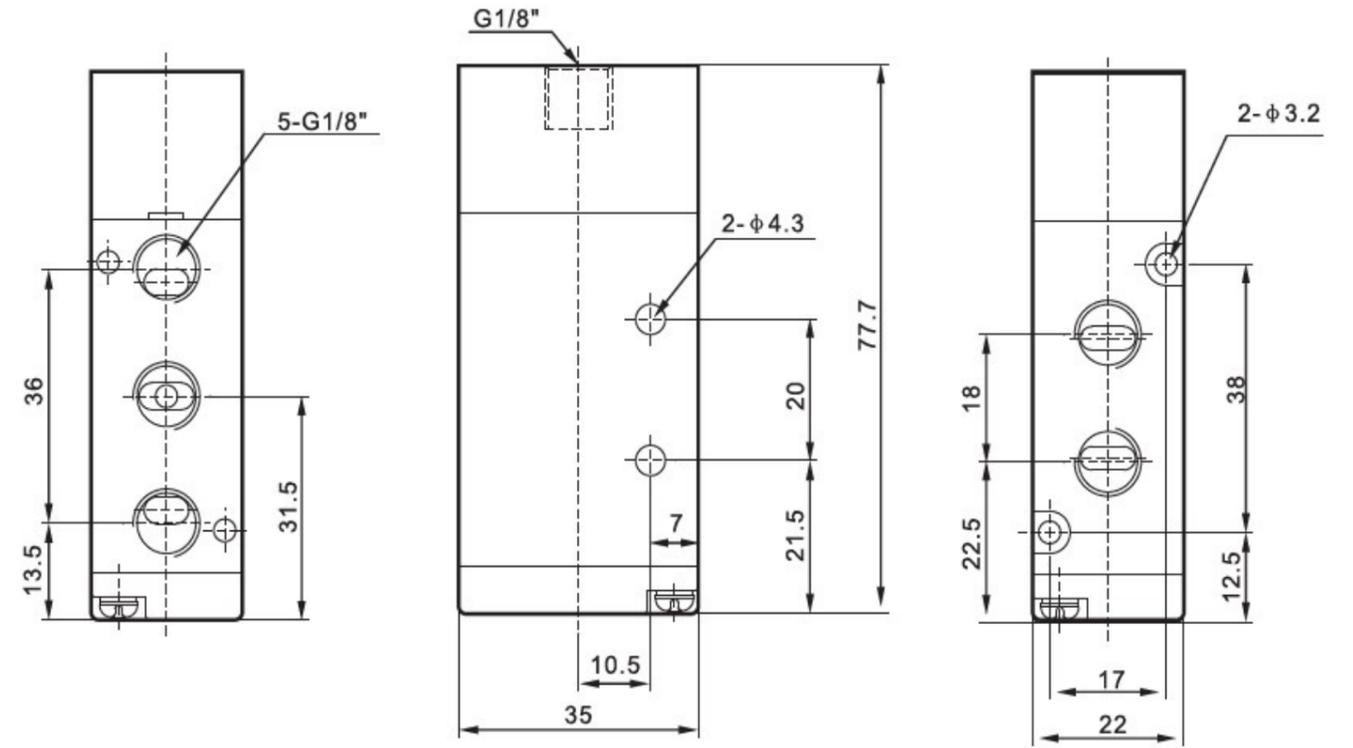
4A120-06



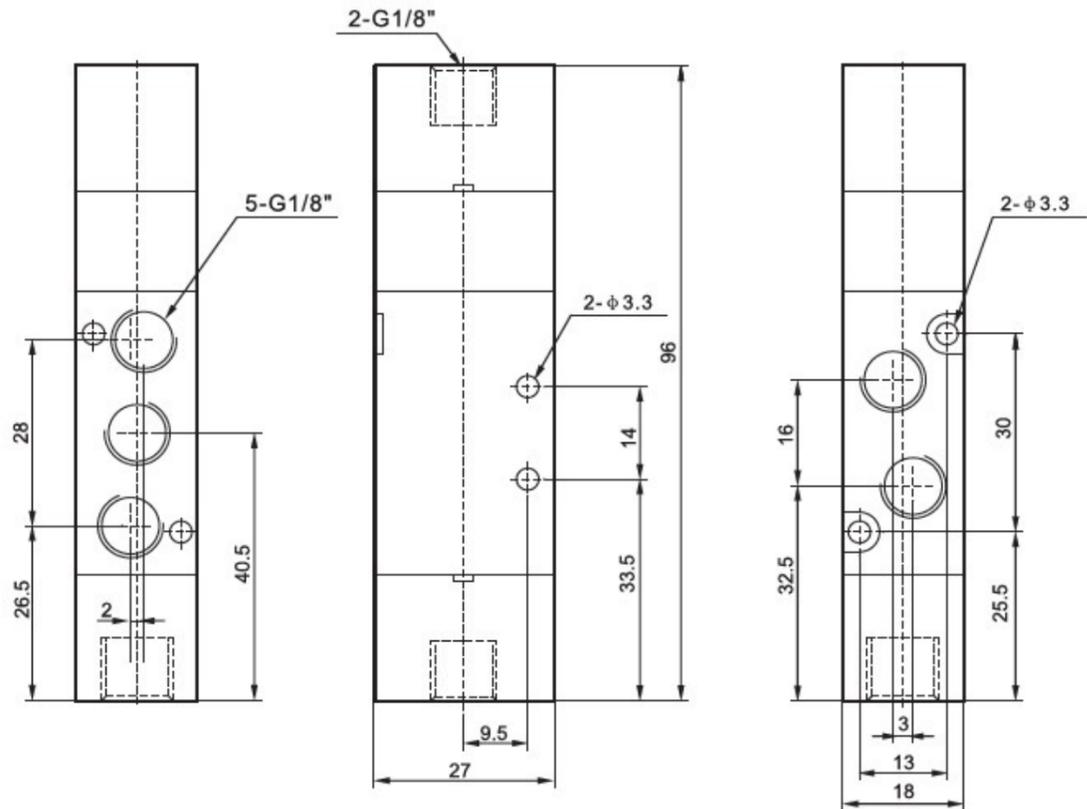
4A130C-M5



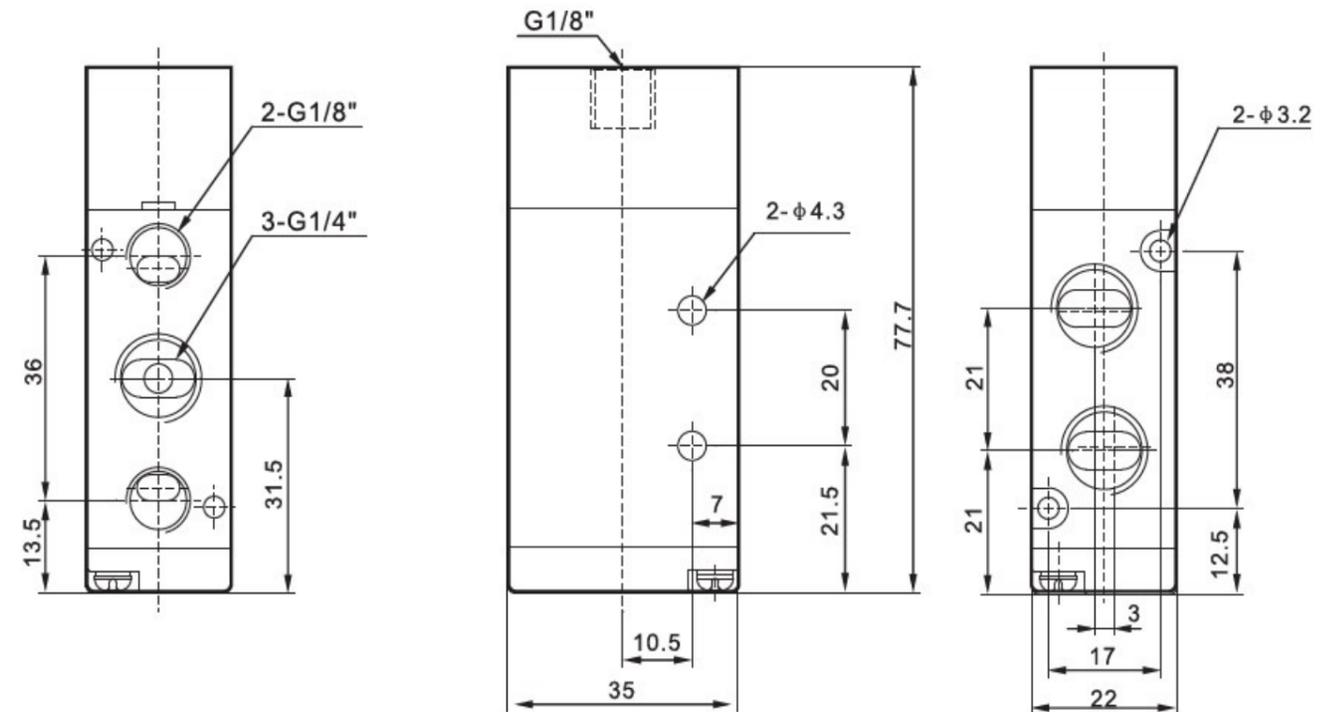
4A210-06



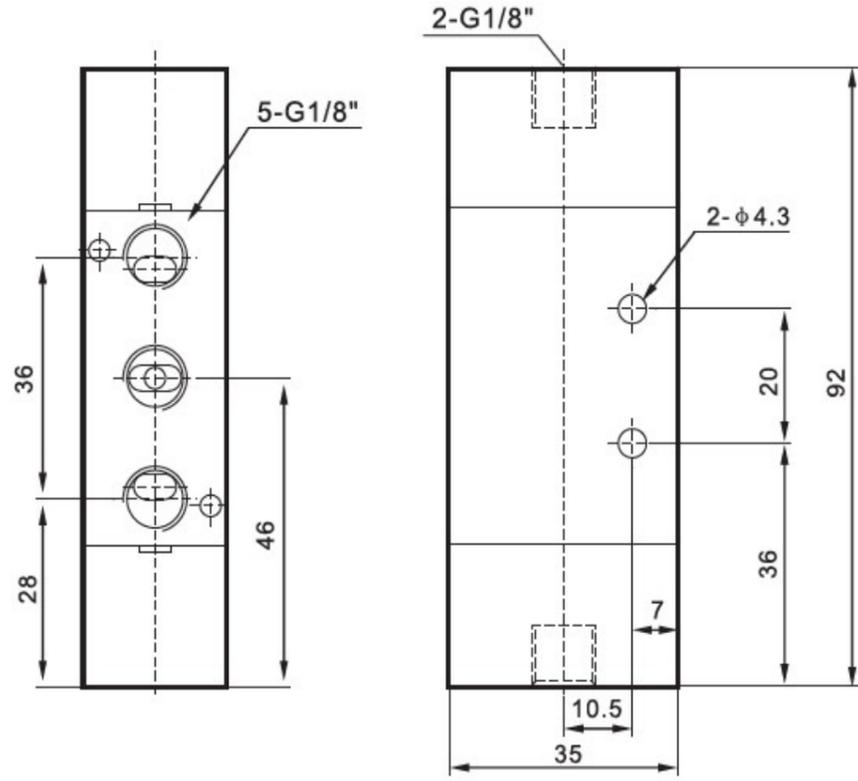
4A130C-06



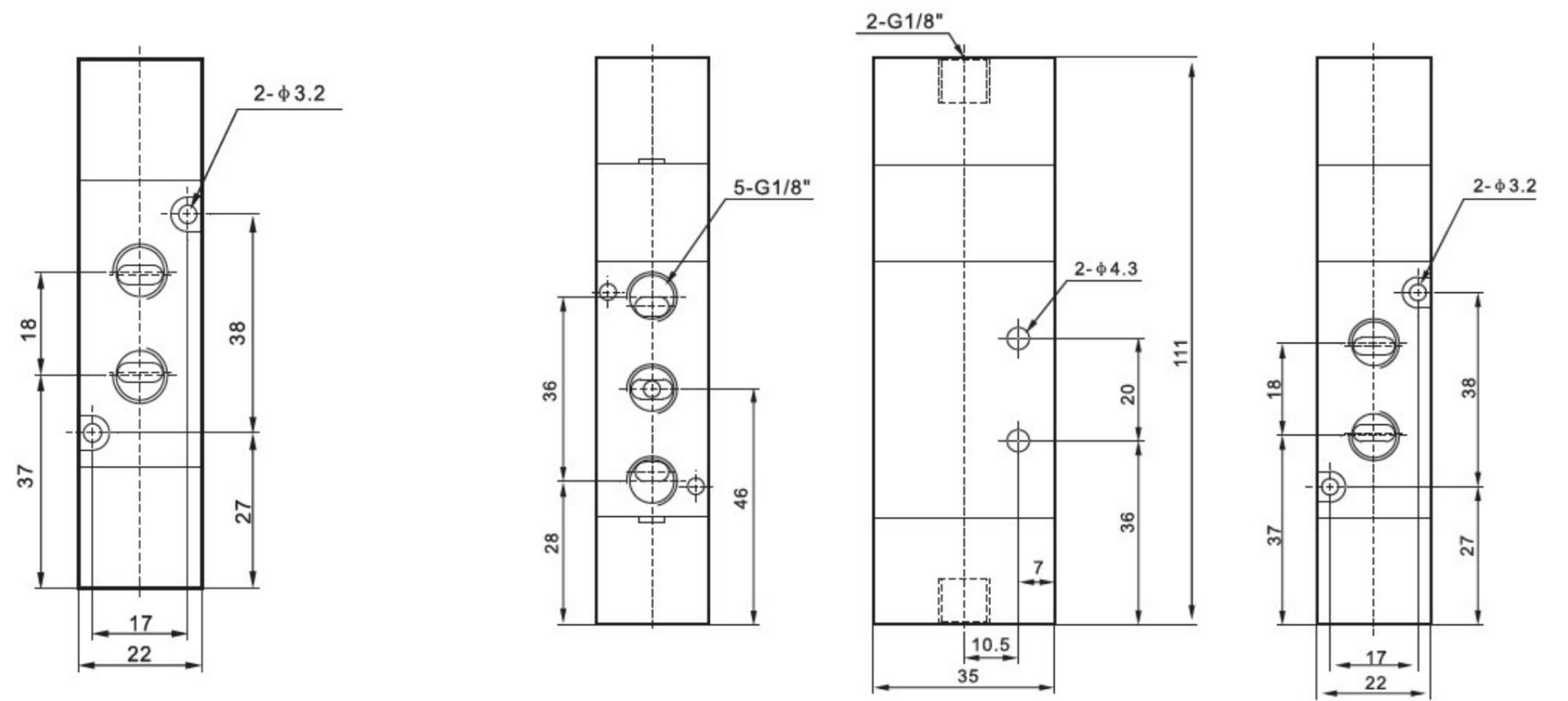
4A210-08



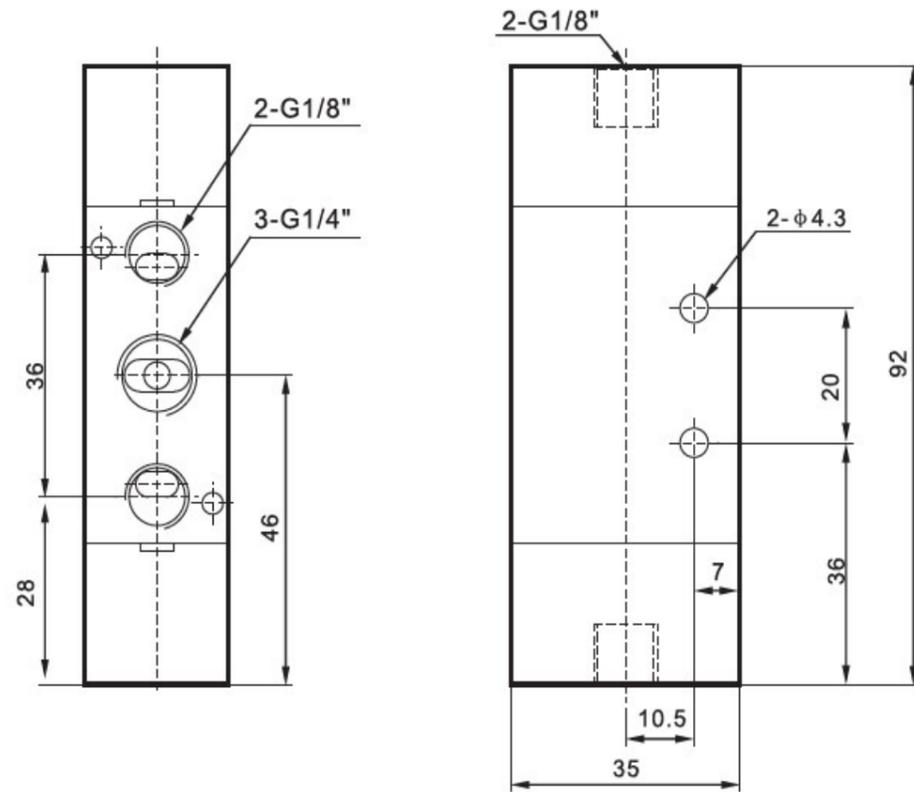
4A220-06



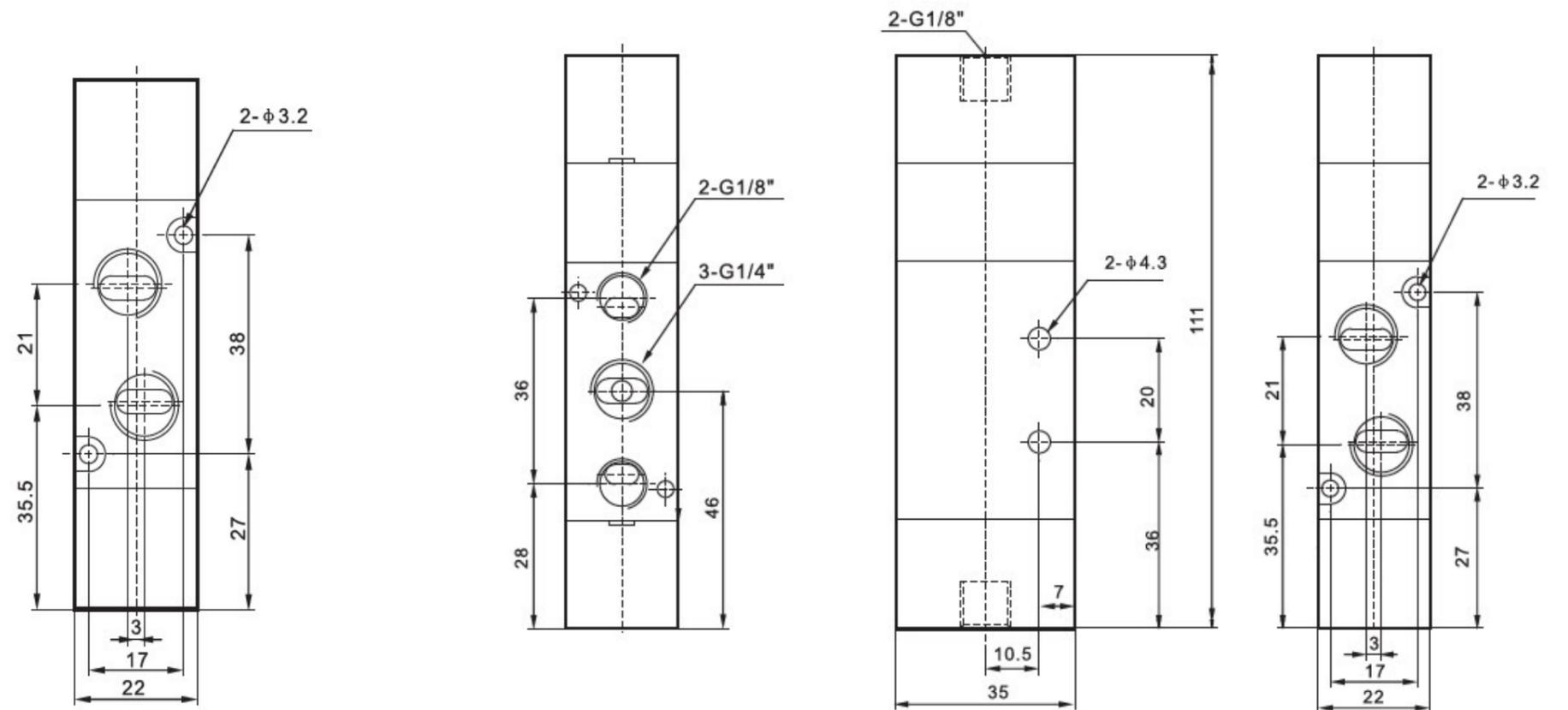
4A230C-06



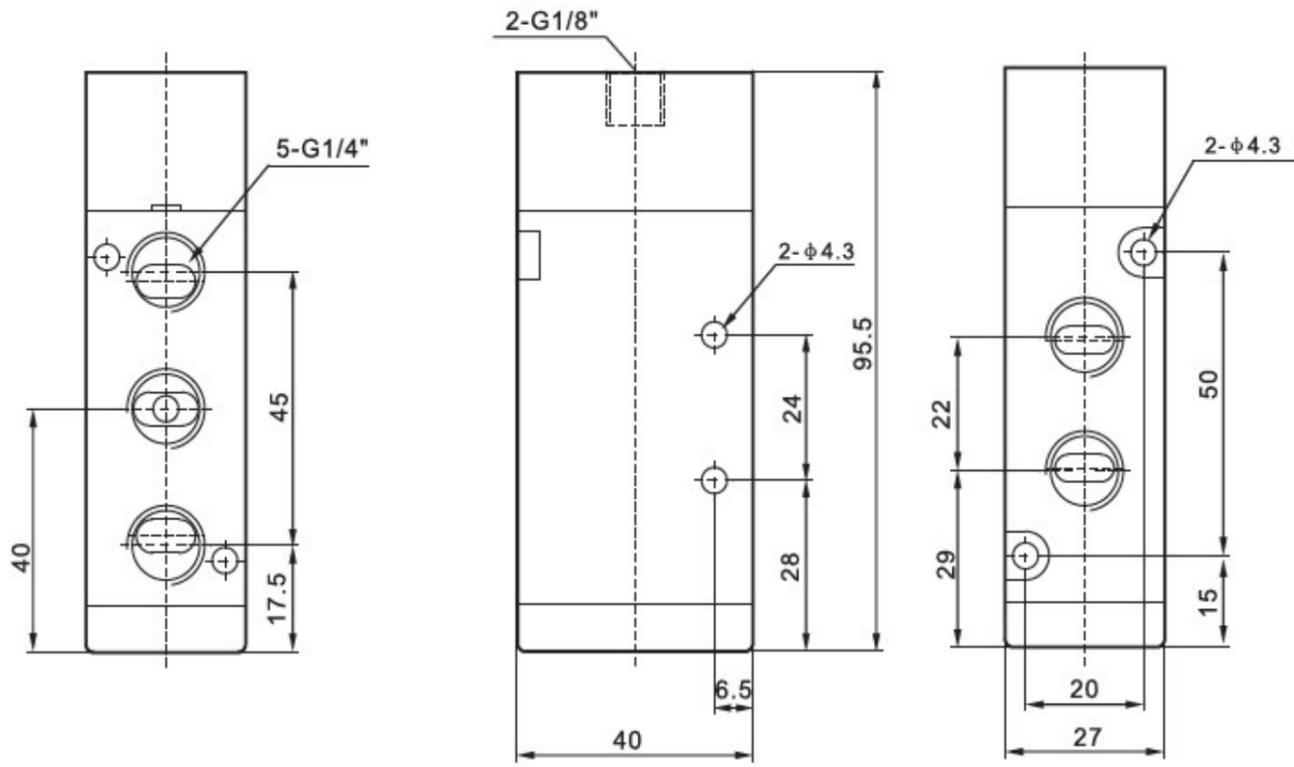
4A220-08



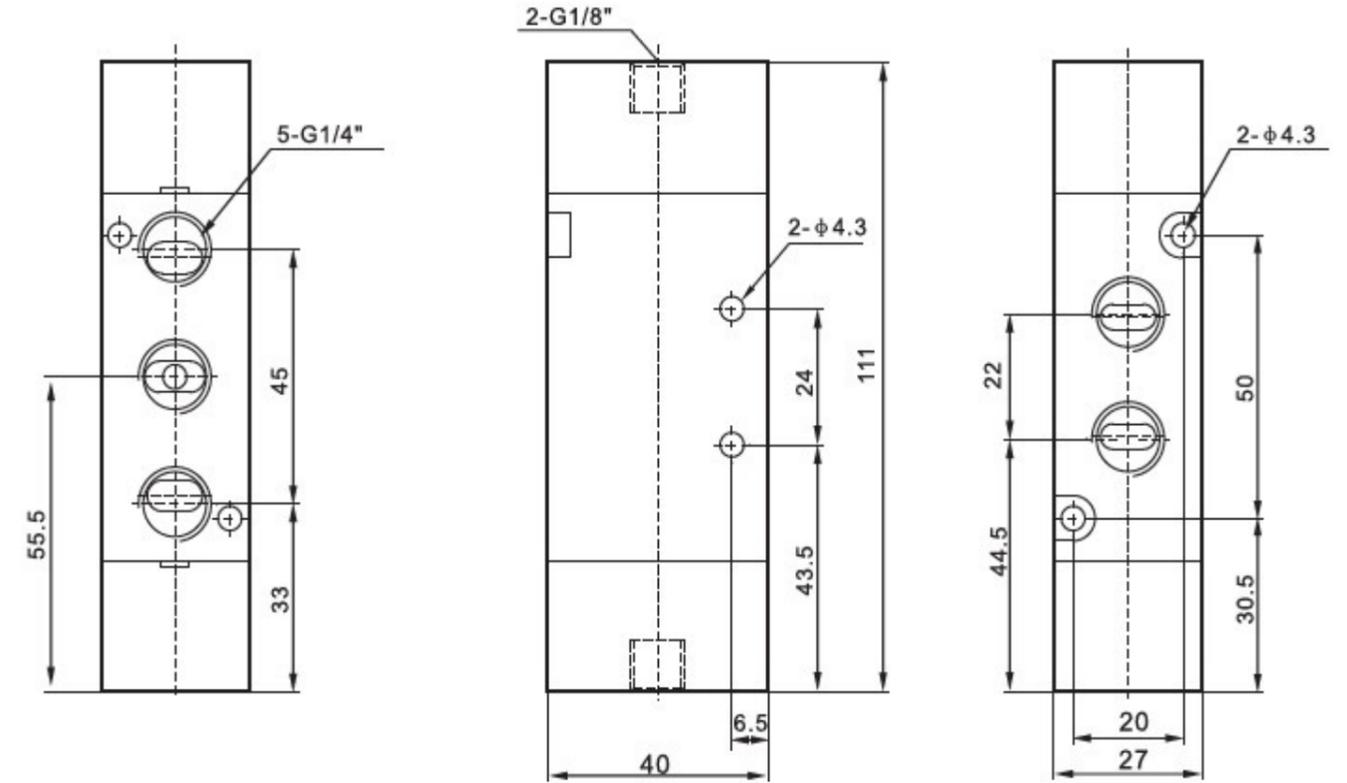
4A230C-08



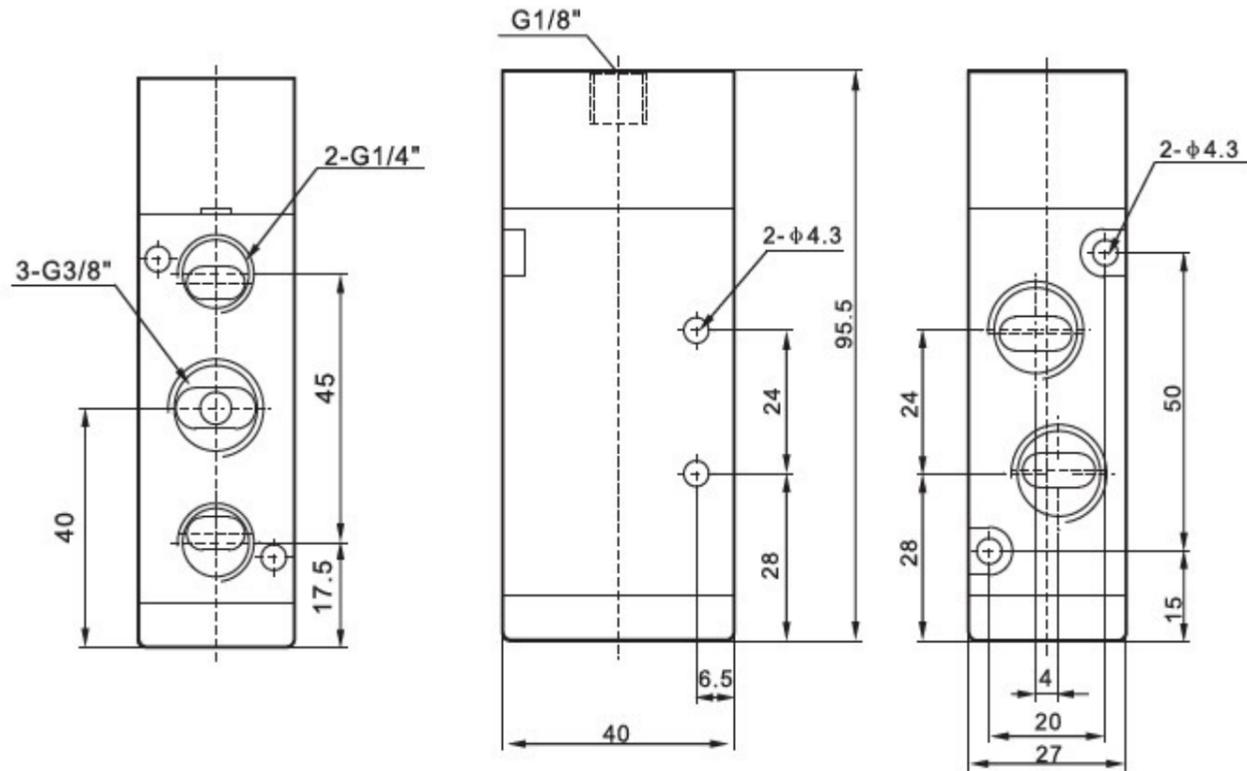
4A310-08



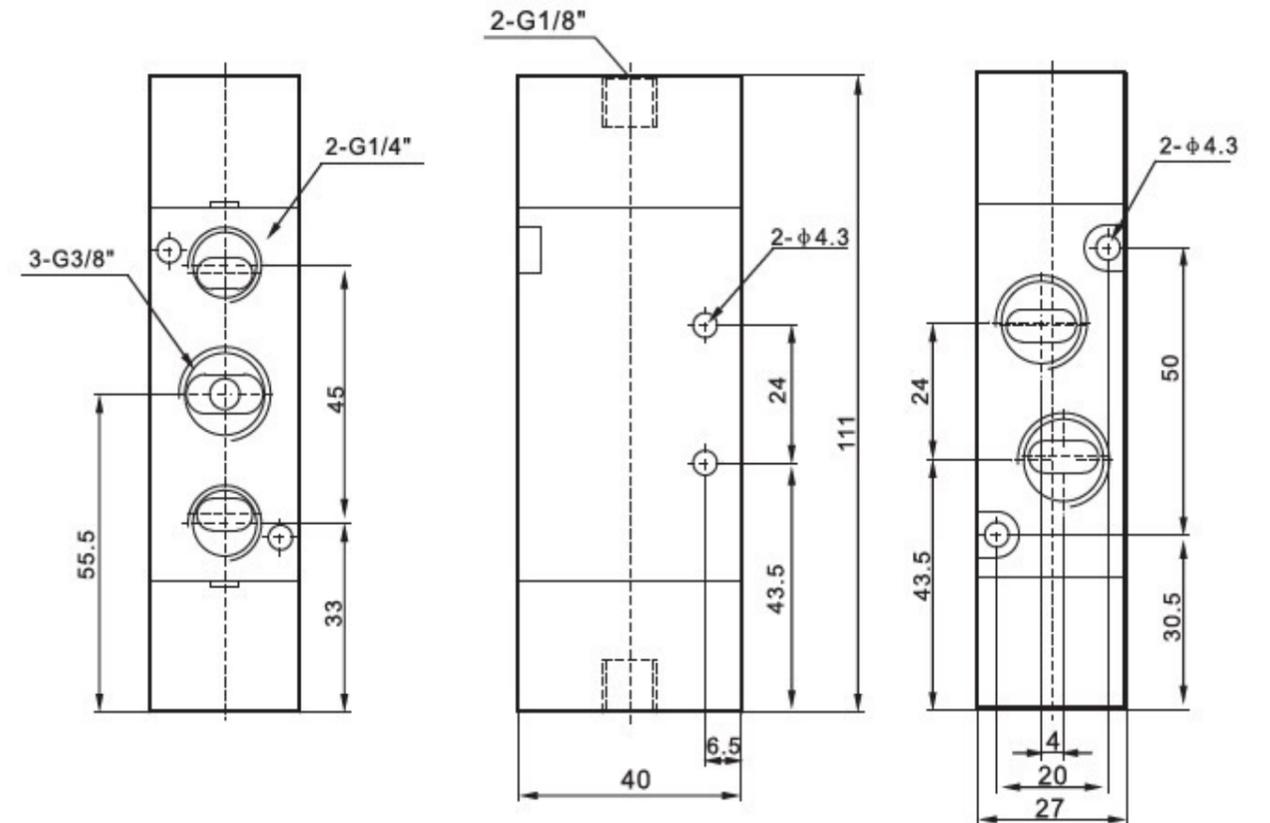
4A320-08



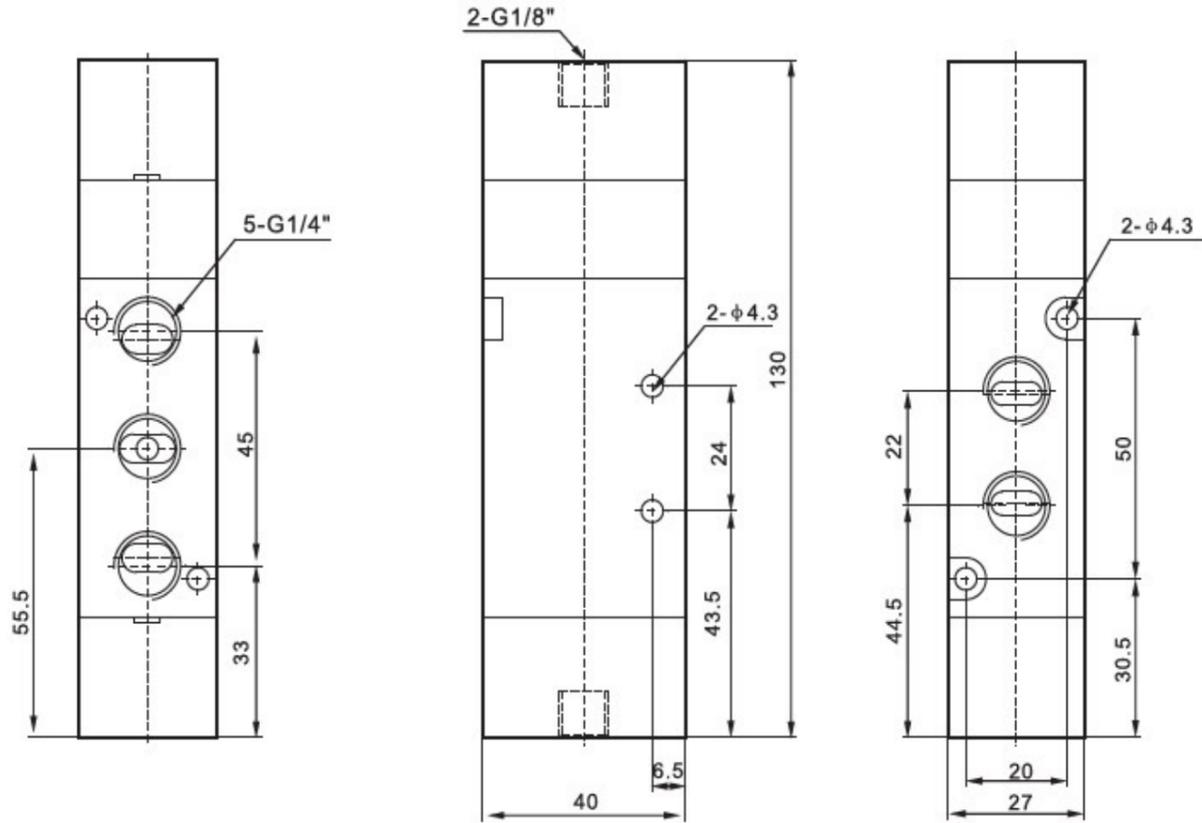
4A310-10



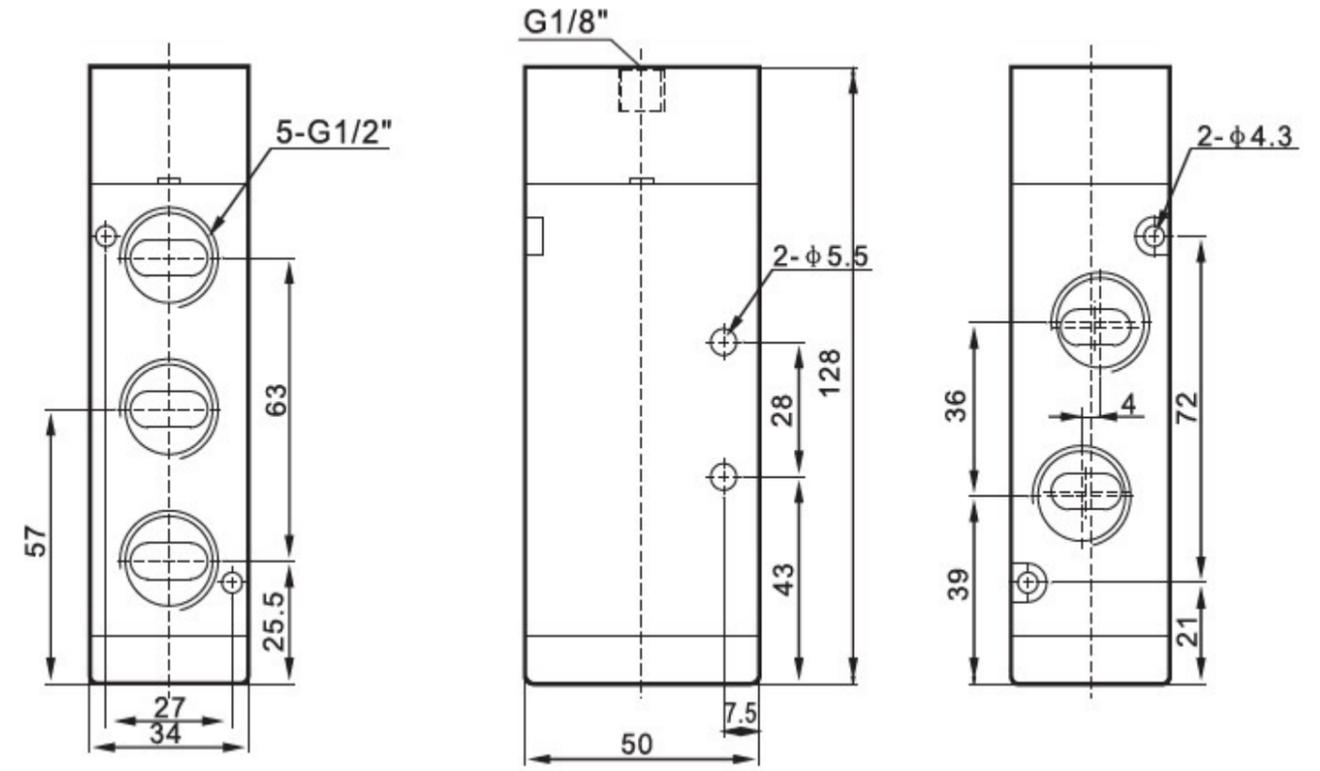
4A320-10



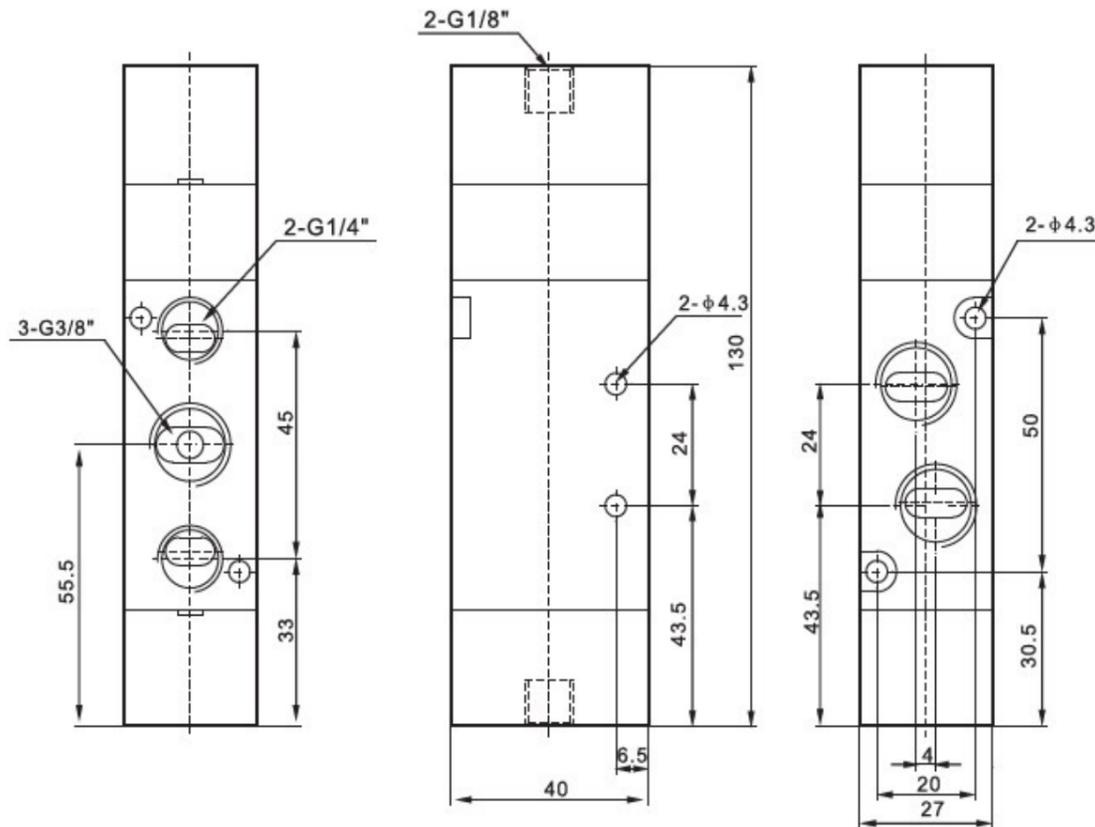
4A330C-08



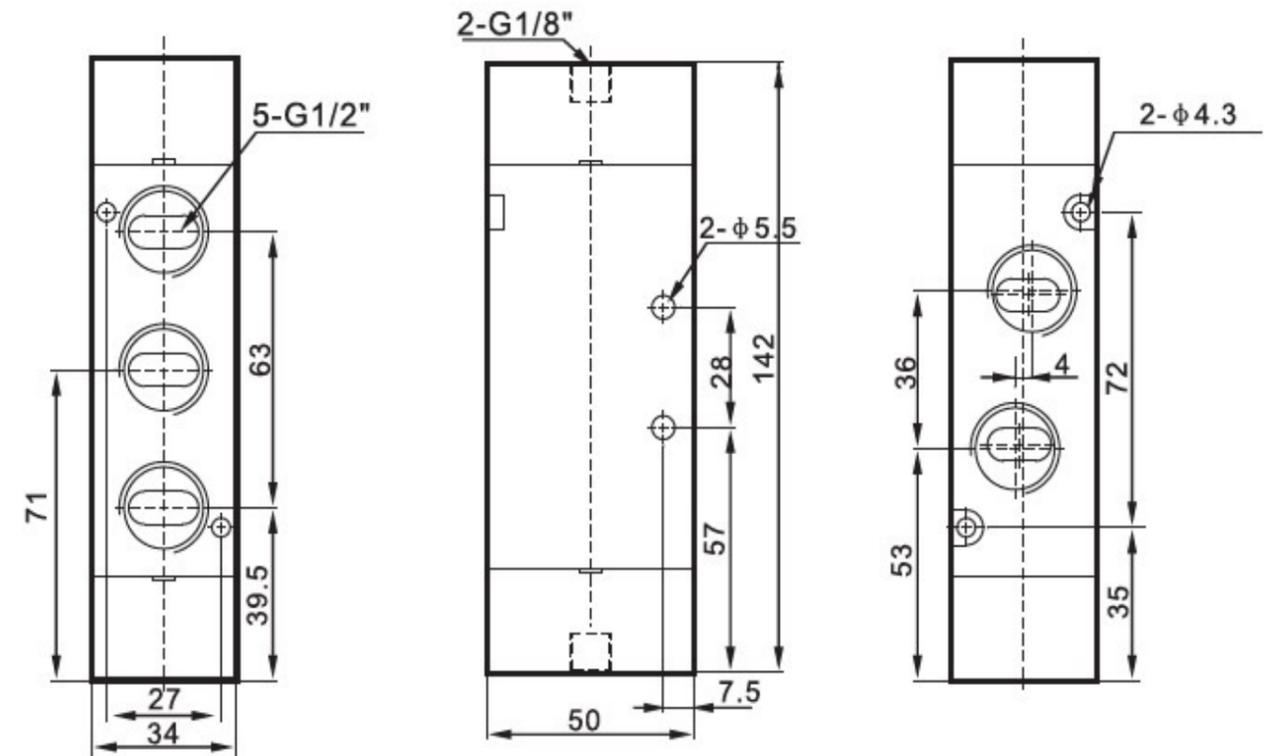
4A410-15



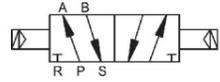
4A330C-10



4A420-15
4A430C-15



5V Series 2positions3ways or 2positions5ways Solenoid Valve



5V120-06



1.Ordering Code :

5V **2** **10** - **08** - **DC24V** -

Solenoid Valve Type

5V: Two positions five ways or Two positions three ways solenoid valve

Body size

- 1: 100 series(M5, G1/8)
- 2: 200 series(G1/8,G1/4)

Coil and position

- 10: Single-head (single coil) for two positions
- 20: Double-head (double coils) for two positions
- 30C: Double-head (double coils) center close type for three positions
- 30E: Double-head (double coils) center exhaust type for three positions
- 30P: Double-head (double coils) center pressure type for three positions

Connecting port size

- M5: M5x0.8
- 06: G1/8
- 08: G1/4

Voltage

- DC12V
- DC24V
- AC110V 50/60Hz
- AC220V 50/60Hz
- AC380V 50/60Hz

Normal close or Normal open

- Blank: Normal close
- NO: Normal open

2.Characteristics:

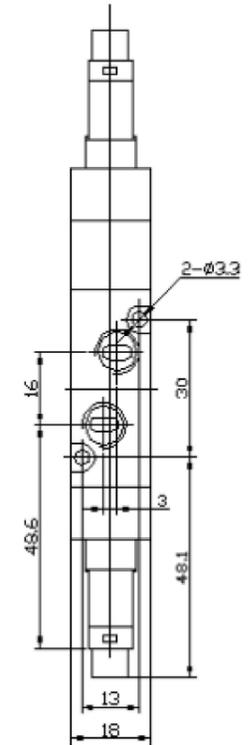
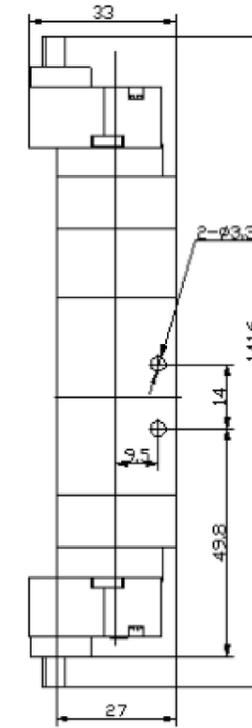
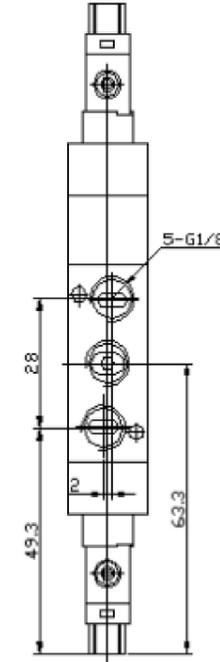
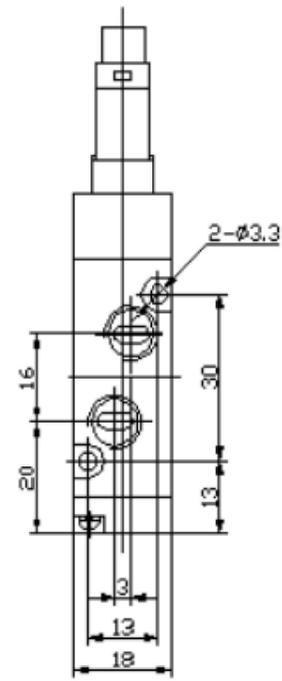
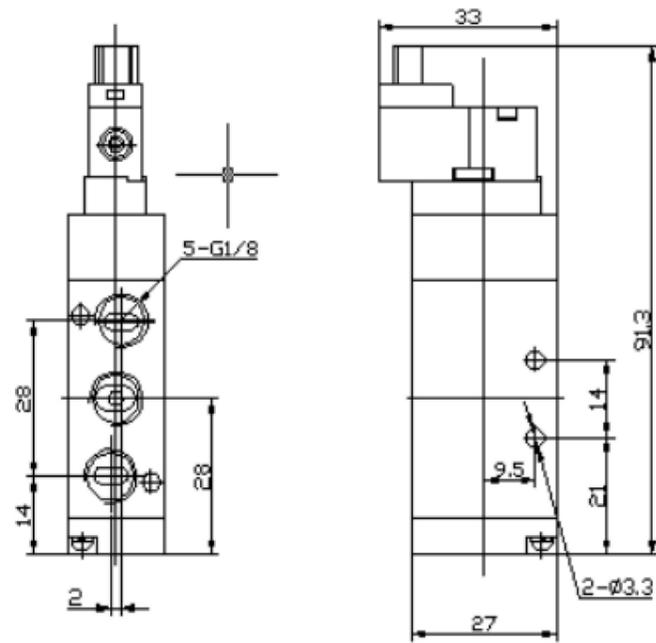
- 1) This 5V series solenoid valves are with micro pilot head with longlife.
- 2) Sealing parts: Mitsubishi brand
- 3) Lubricating grease: Dowcorning 6169
- 4) Stem: With guide device
- 5) Low power consumption.
- 6) Pressure unit: 1kgf/cm²=1bar=0.1MPa=100KPa=14.5psi
- 7) Different thread types can be offered according to customers' requirements, e.g.: PT, NPT etc.

4.Specification:

Model	5V110-06-NO	5V110-06	5V120-06	5V130-06	5V210-06-NO	5V210-08	5V220-08	5V230-08
Applicable medium	5µm Filtered Air							
Motion pattern	Pilot acting							
Valve type	2position/3way	2position/5way	3/5ways	2position/3way	2position/5way	3/5ways		
Normal open or close	Normal open			Normal open				
Working pressure	0.15~0.7 MPa							
Proof Pressure	0.8 MPa							
Temperature range	NBR: -10℃~60℃							
Port size	G1/8					G1/4		
Cv Value	0.67		0.5	0.89		0.67		
Available Voltage	DC12V,DC24V,AC110V,AC220V,AC380V							
Power consumption	AC: 1.2W DC: 1.2W							
Voltage range	±15%							
Working life time	≥30,000,000							
Material of body	Aluminum alloy							
Min.excitation time	0.015 s							
Max.working frequency	10 cycles/second							

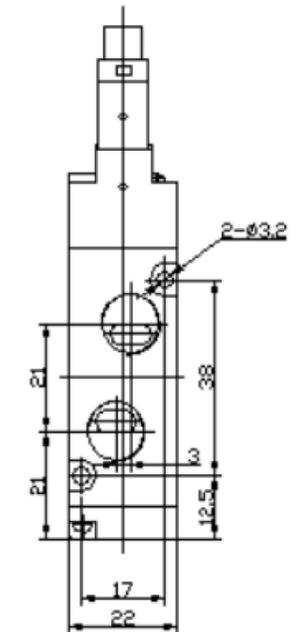
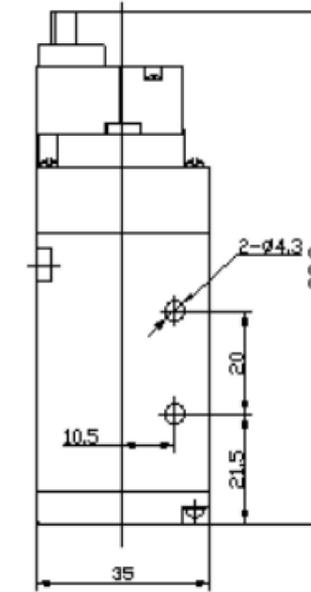
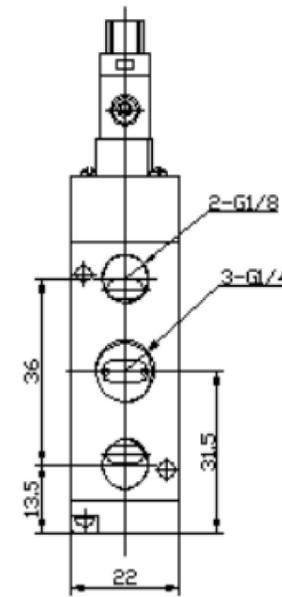
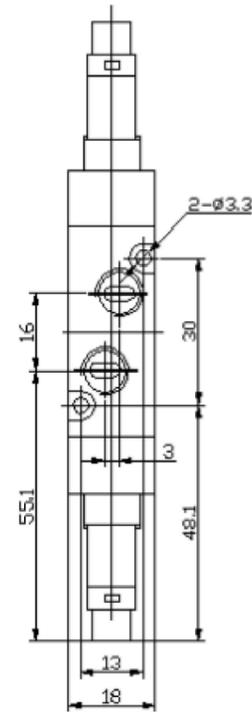
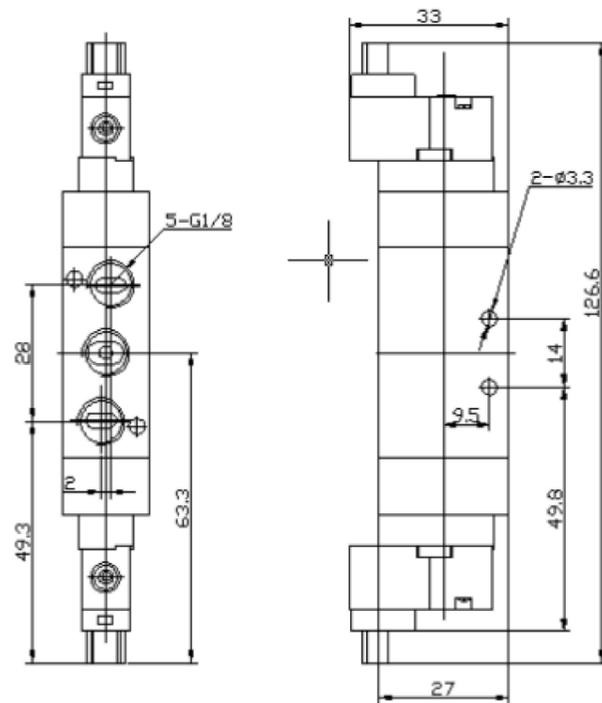
5. Overall and Dimension Sheet:
5V110-06

5V130-06



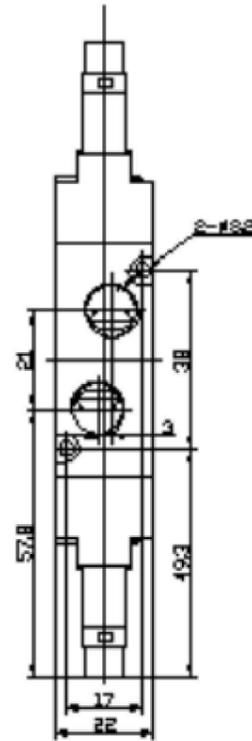
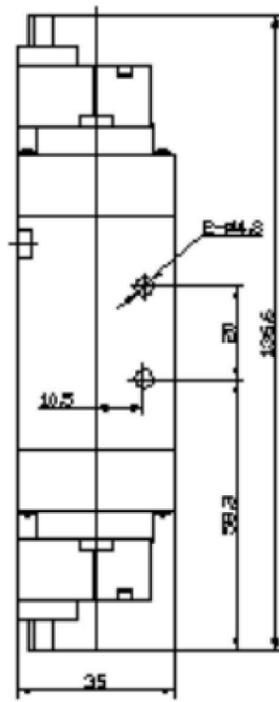
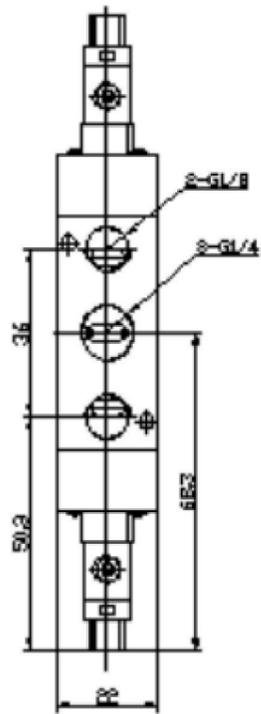
5V120-06

5V210-08



5V220-08

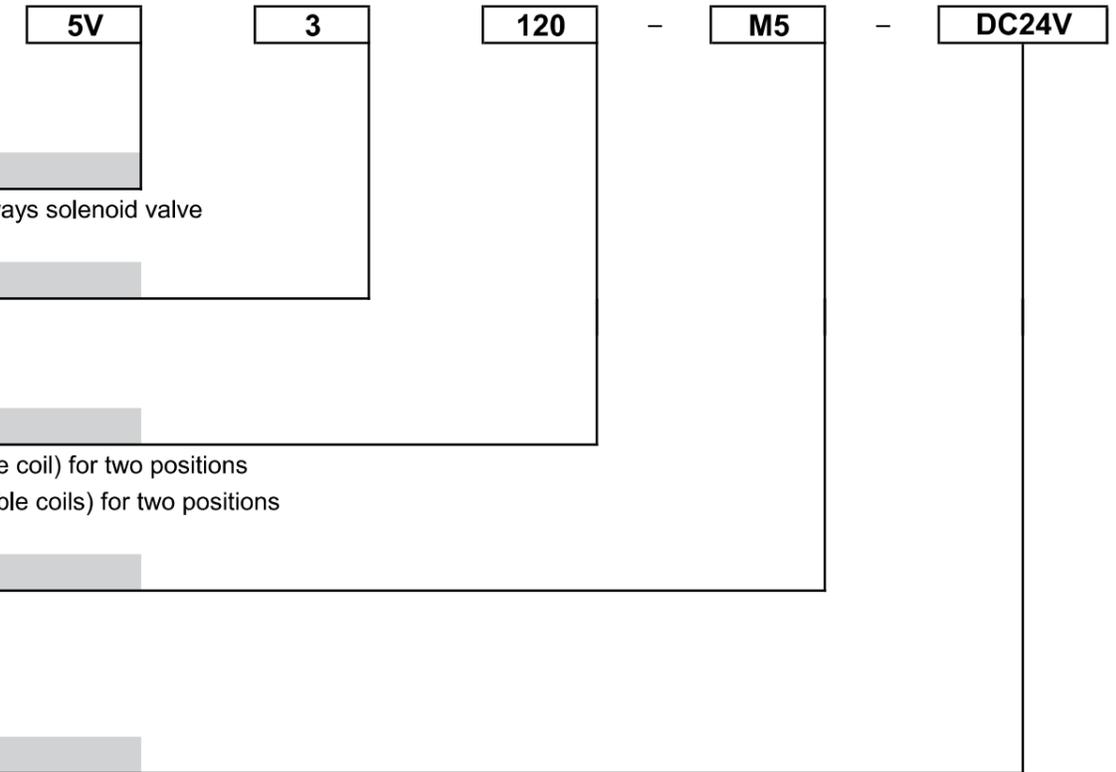
5V3120,5V3220,5V5120,5V5220 Series Solenoid Valve



5V3120-M5



1.Ordering Code :



Solenoid Valve Type

5V: Two positions five ways solenoid valve

Body size

3: 300 series(M5)

5: 500 series(G1/8)

Coil and position

120: Single-head (single coil) for two positions

220: Double-head (double coils) for two positions

Connecting port size

M5: M5x0.8

06: G1/8

08: G1/4

Voltage

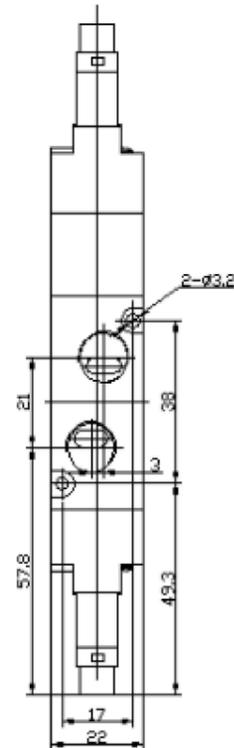
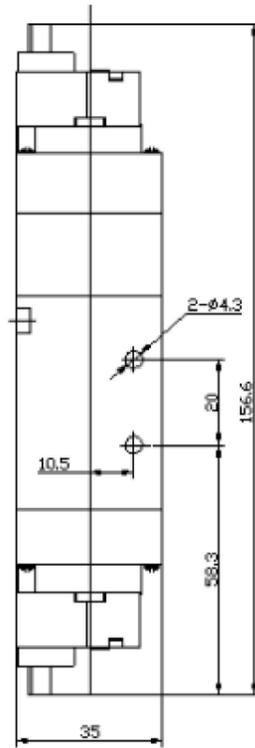
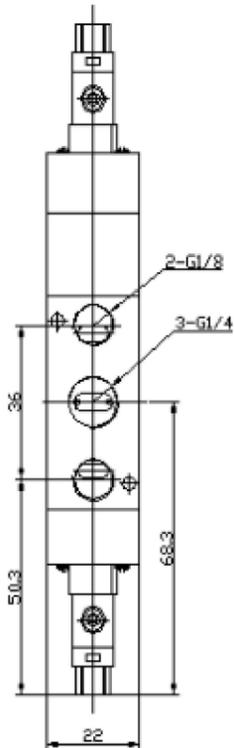
DC12V

DC24V

AC110V 50/60Hz

AC220V 50/60Hz

5V230-08



2.Characteristics:

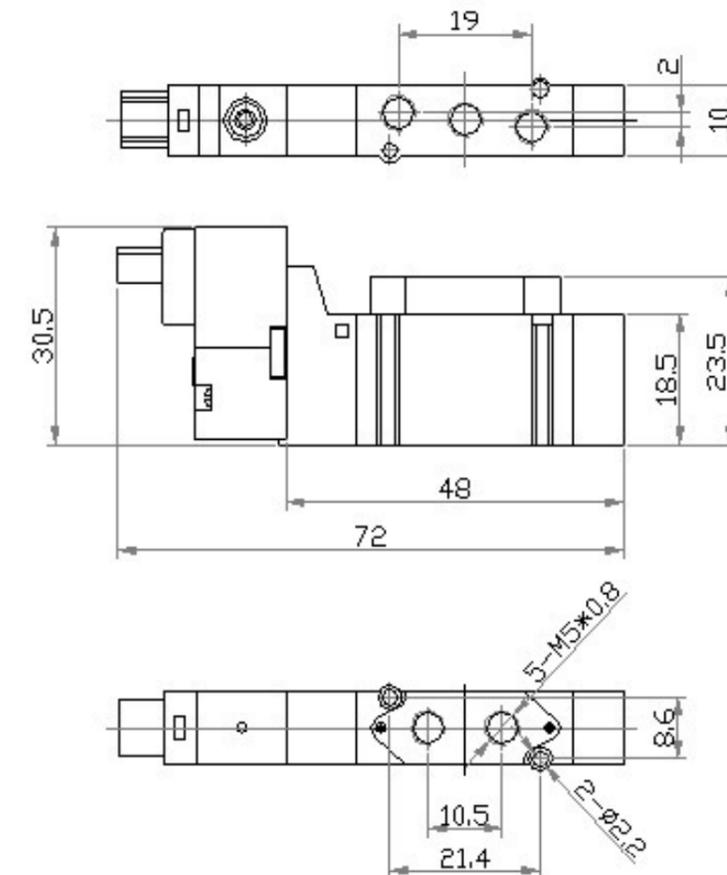
- 1) This 5V series solenoid valves are with micro pilot head with longlife.
- 2) Sealing parts: Mitsubishi brand
- 3) Lubricating grease: Dowcorning 6169
- 4) Stem: With guide device
- 5) Low power consumption.
- 6) Pressure unit: 1kgf/cm²=1bar=0.1MPa=100KPa=14.5psi
- 7) Different thread types can be offered according to customers' requirements, e.g.: PT, NPT etc.

4.Specification:

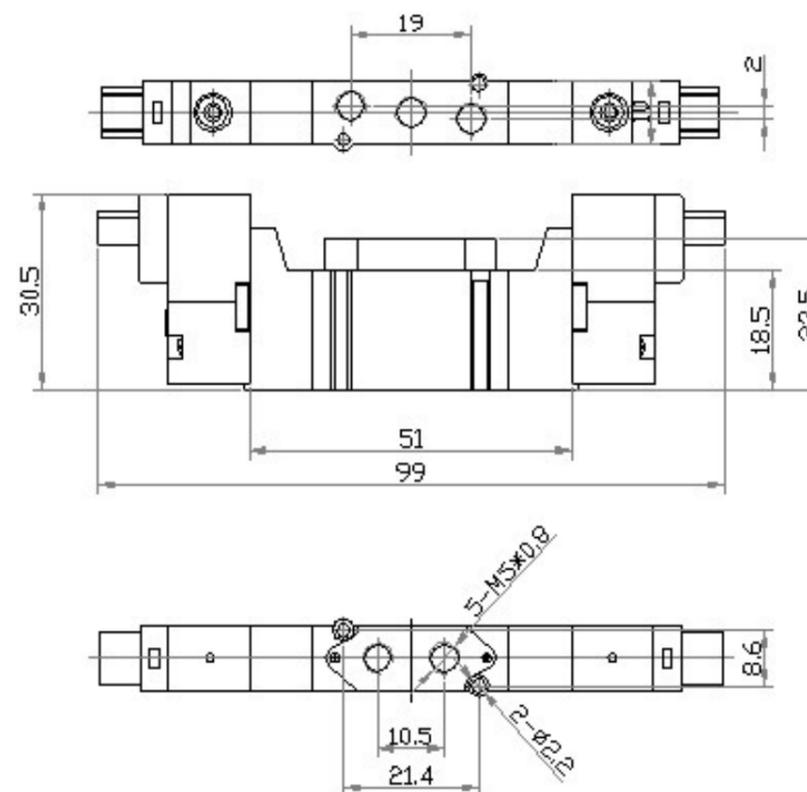
Model	5V3120-M5	5V3220-M5	5V5120-06	5V5220-06
Applicable medium	5µm Filtered Air			
Motion pattern	Pilot acting			
Valve type	2position/5way			
Working pressure	0.15~0.7 MPa			
Proof Pressure	0.8 MPa			
Temperature range	NBR: -10℃~60℃			
Port size	M5x0.8		G1/8	
Cv Value	0.26	0.26	0.66	0.66
Available Voltage	DC12V,DC24V,AC110V,AC220V			
Power consumption	AC: 1.2W DC: 1.2W			
Voltage range	±15%			
Working life time	≥30,000,000			
Material of body	Aluminum alloy			
Min.excitation time	0.015 s			
Max.working frequency	10 cycles/second			

5. Overall and Dimension Sheet:

5V3120-M5

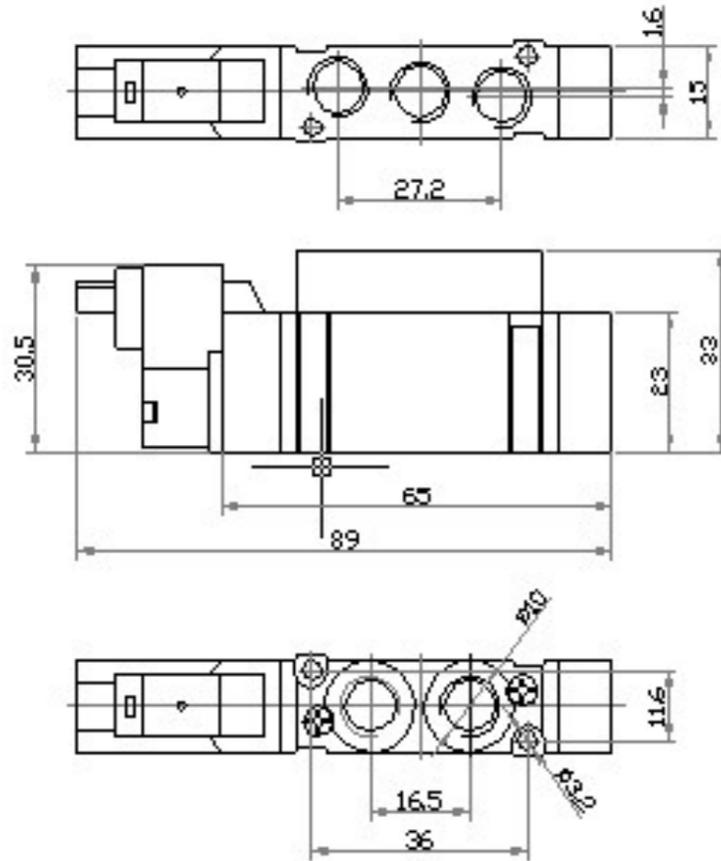


5V3220-M5

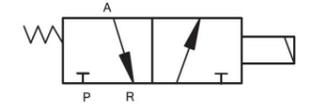
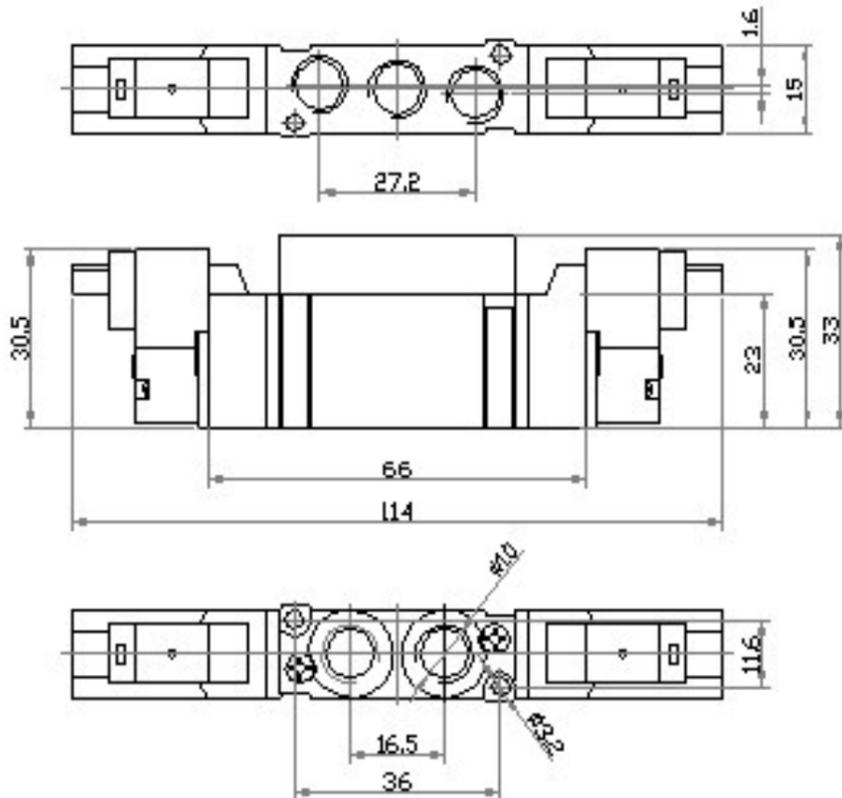


5V5120-06

3V1 Series 2positions/3ways Solenoid Valve



5V5220-06



1. Ordering Code :

3V1 - 06 - □ - DC24V

Solenoid Valve Type

3V1: Two positions Three ways solenoid valve

Connecting port size

M5: M5x0.8 06: G1/8 08: G1/4

Connecting type

Blank: Thread connection type

B: Plate connection type

Voltage

DC5V AC24V 50/60Hz

DC12V AC110V 50/60Hz

DC24V AC220V 50/60Hz

2.Characteristics:

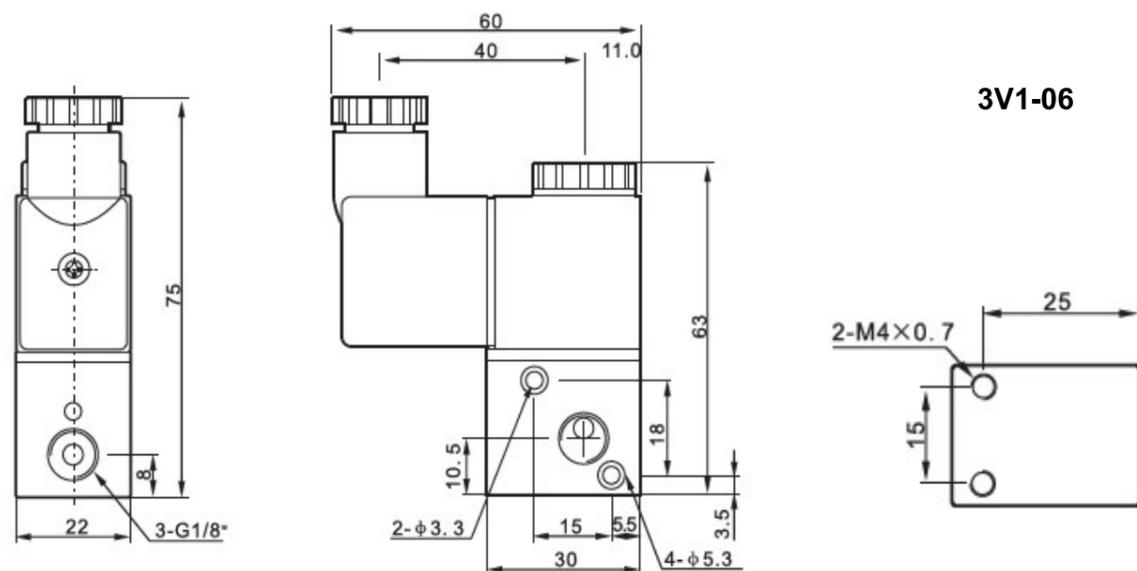
- 1) The protection grade for this series solenoid valve is IP65.
- 2) Different voltages are available for coils.
- 3) Pressure unit: 1kgf/cm²=1bar=0.1MPa=100KPa=14.5psi
- 4) Lead wire type is available, please remind when you order.
- 5) Different thread types can be offered according to customers' requirements, e.g.: PT, NPT etc.

3.Specification:

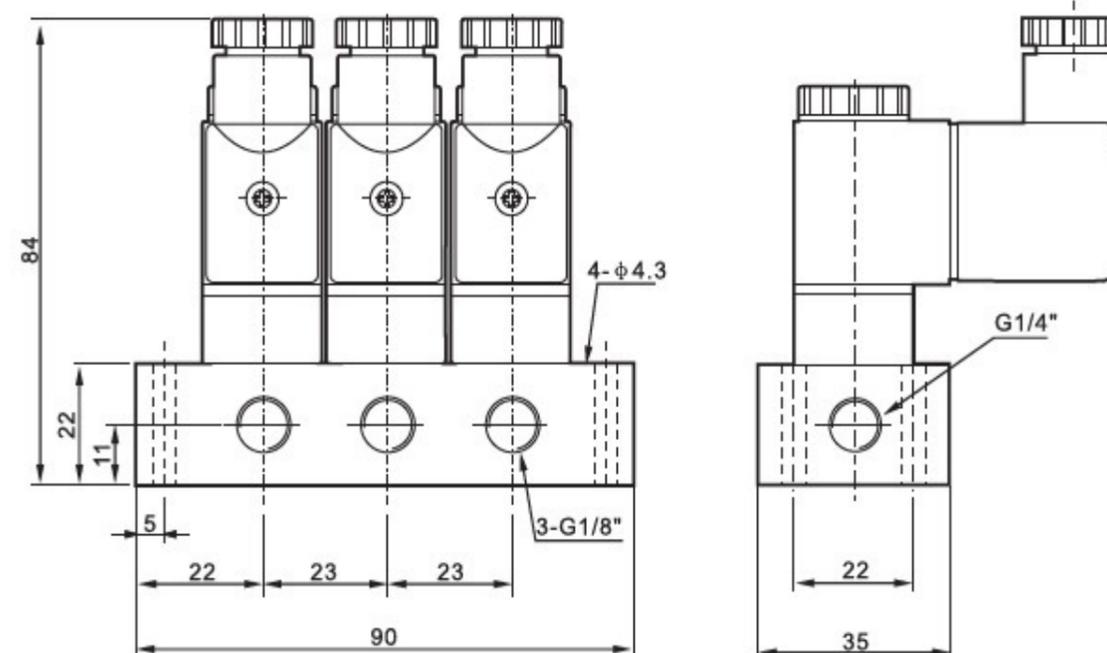
Model	3V1-M5	3V1-06	3V1-08
Applicable medium	≤40μ Filtered Air		
Motion pattern	Direct drive type		
Working pressure	0~0.8 MPa		
Proof Pressure	1.2MPa		
Temperature range	NBR: -10℃~60℃		
Orifice(mm)	1.2		
Port size	M5x0.8	G1/8	G1/4
IP grade	IP65		
Insulation grade	F		
Available Voltage	DC5, DC12V,DC24V,AC24V,AC36V,AC110V,AC220V,AC380V		
Power consumption	AC220V:2W, AC110V:2.5W,AC24V:3.5W,DC24V:3W,DC12V:2.5W		
Voltage range	±10%		
Material of body	Aluminum alloy		
Highest action frequency	10 cycles/second		
Shortest excitation time	0.05 s		
Sealing material	NBR or VITON		

* 1 kgf/cm² = 1 bar = 0.1 Mpa = 100KPa = 14.5psi

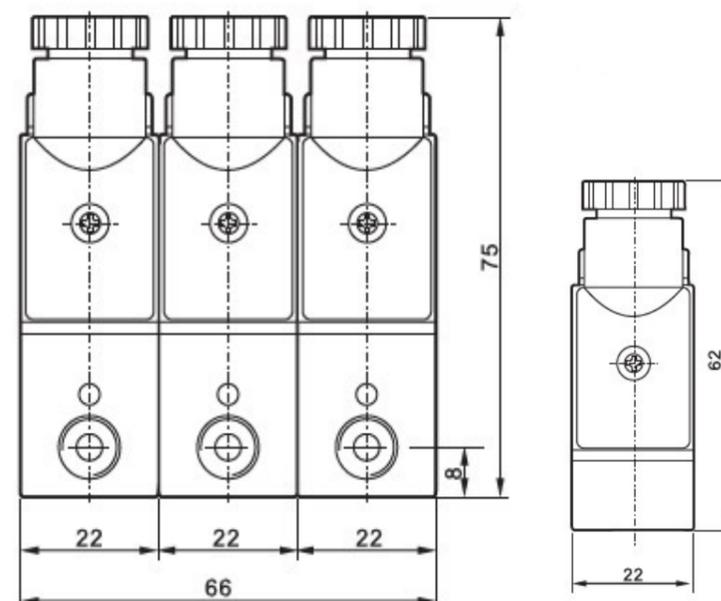
4. Overall and Dimension Sheet:



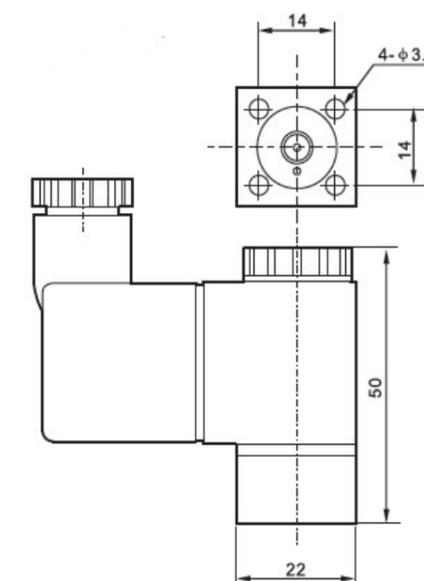
3V1-06B-3F



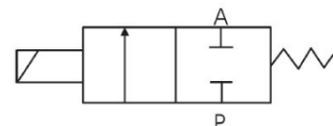
3V1-06-3F



3V1-06B



2V025 Series 2positions/2ways Solenoid Valve



1. Ordering Code :

2V **025** - **08** - **DC24V**

Solenoid Valve Type

2V: Two positions Two ways solenoid valve

Body size

025: Normal size

Connecting port size

06: G1/8

08: G1/4

Voltage

DC5V	AC24V 50/60Hz
DC12V	AC110V 50/60Hz
DC24V	AC220V 50/60Hz

2.Characteristics:

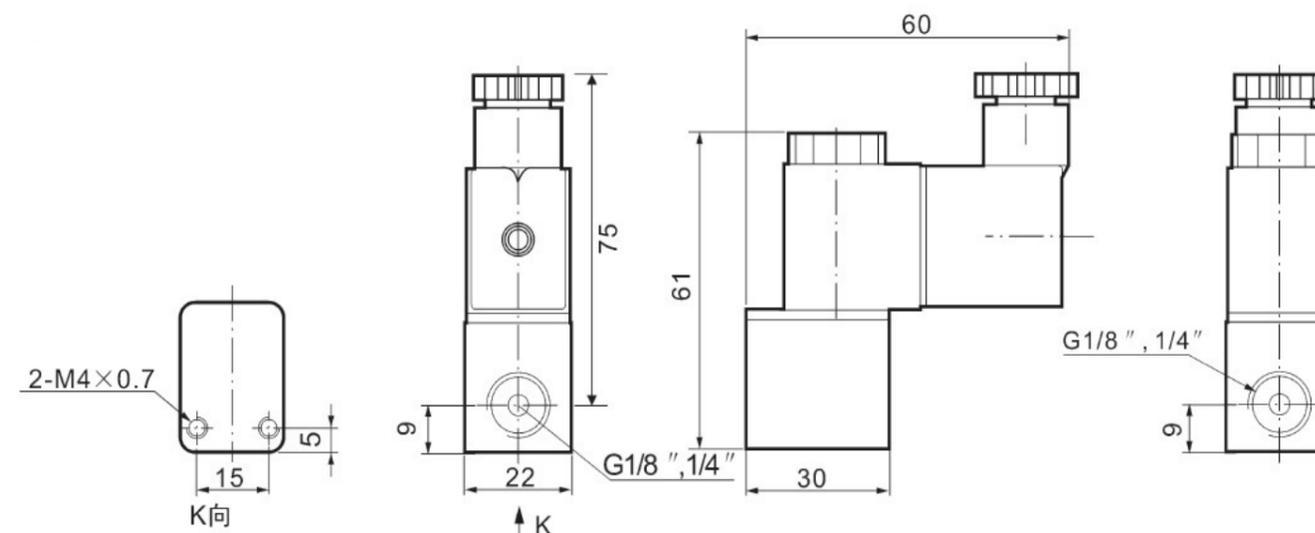
- 1) The protection grade for this series solenoid valve is IP65.
- 2) Different voltages are available for coils.
- 3) Pressure unit: 1kgf/cm²=1bar=0.1MPa=100KPa=14.5psi
- 4) Lead wire type is available, please remind when you order.
- 5) Different thread types can be offered according to customers' requirements, e.g.: PT, NPT etc.

3. Specification:

Model	2V025-06	2V025-08
Applicable medium	≤40μ Filtered Air, Water, Oil	
Motion pattern	Direct drive type	
Working pressure	0.15~0.8 MPa	
Proof Pressure	1.2MPa	
Temperature range	NBR: 5℃~50℃	
Port size	G1/4	
IP grade	IP65	
Insulation grade	F	
Available Voltage	DC5, DC12V,DC24V,AC24V,AC36V,AC110V,AC220V,AC380V	
Power consumption	AC: 6.5W, DC: 6.5W	
Voltage range	±10%	
Material of body	Aluminum alloy or Brass with nickel plated	
Highest action frequency	10 cycles/second	
Shortest excitation time	0.05 s	
Sealing material	NBR or VITON	

* 1 kgf/cm² = 1 bar = 0.1 Mpa = 100KPa = 14.5psi

4. Overall and Dimension Sheet:

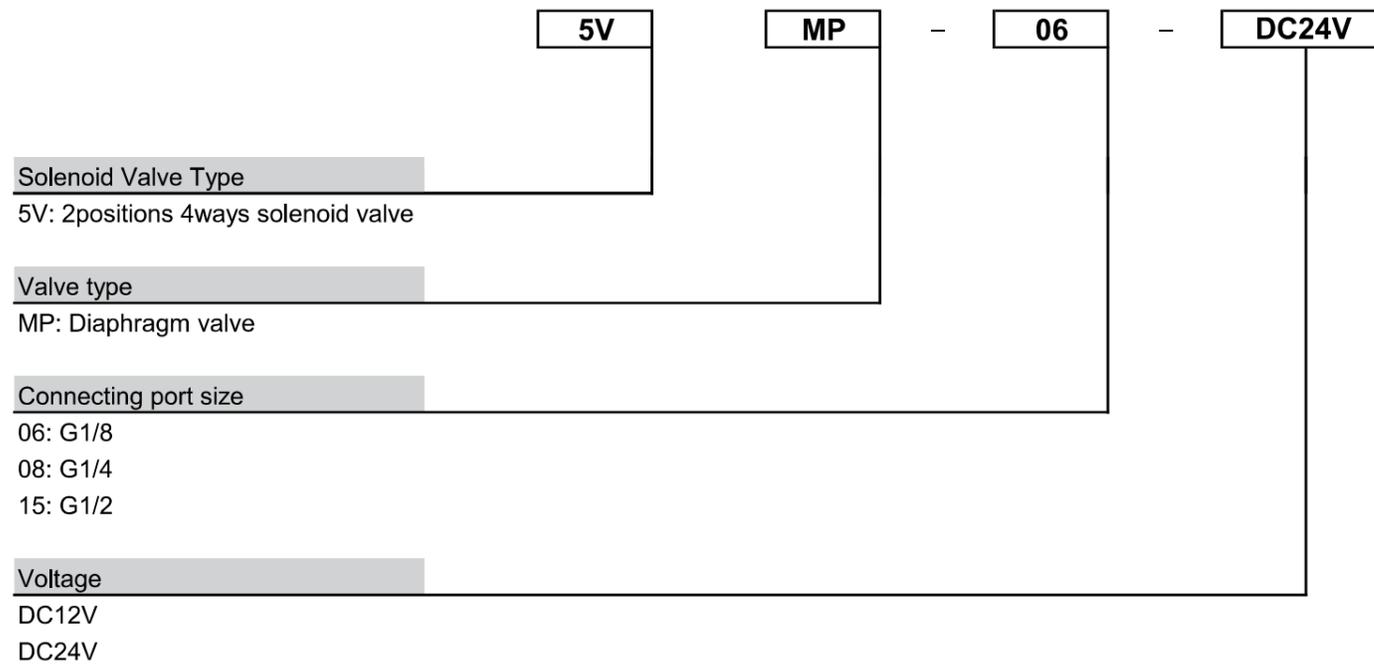


5VMP series Diaphragm Solenoid Valve



5VMP-06

1. Ordering Code :



2.Characteristics:

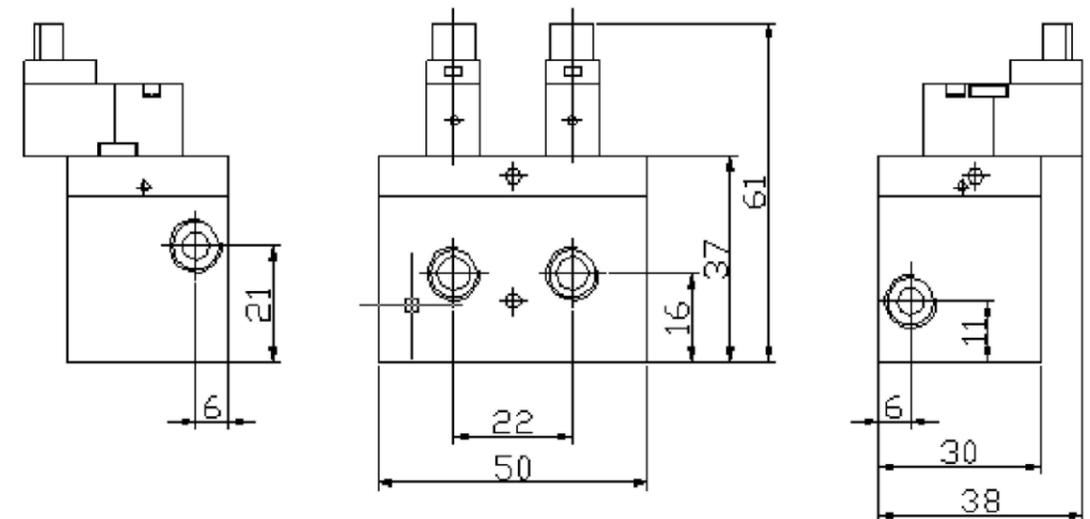
- 1) This 5V series diaphragm valves are with micro pilot head with longlife.
- 2) Sealing parts: Mitsubishi brand
- 3) Lubricating grease: Dowcorning 6169
- 4) Stem: With guide device
- 5) Low power consumption.
- 6) Pressure unit: 1kgf/cm²=1bar=0.1MPa=100KPa=14.5psi
- 7) Different thread types can be offered according to customers' requirements, e.g.: PT, NPT etc.

4.Specification:

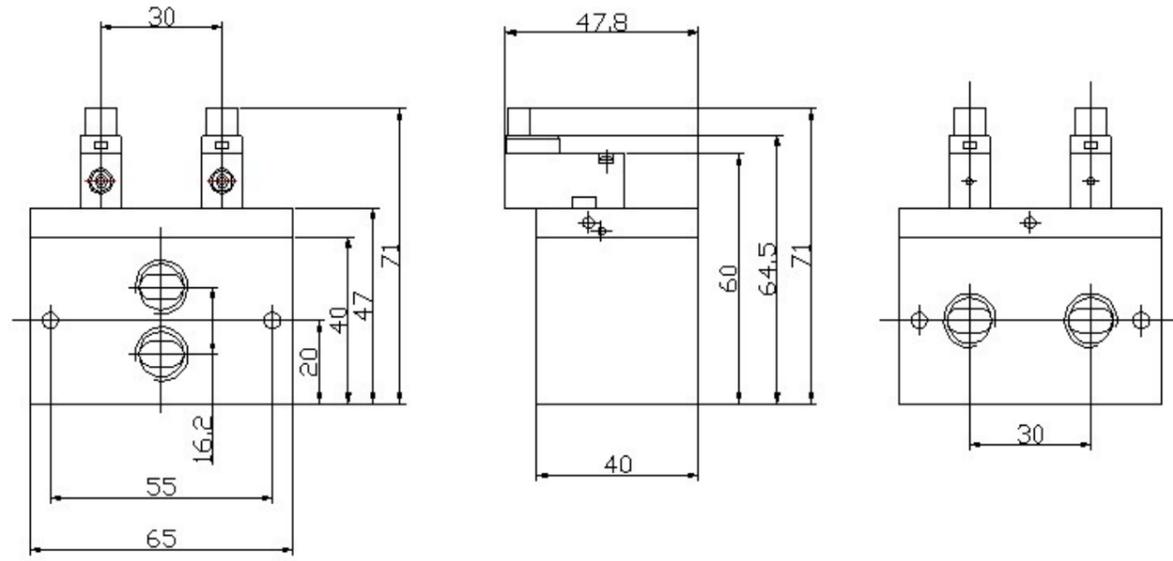
Model	5VMP-06	5VMP-08	5VMP-15
Applicable medium	5µm Filtered Air		
Motion pattern	Pilot acting		
Valve type	2positions/4ways		
Working pressure	0.1~0.4 MPa		
Proof Pressure	0.5 MPa		
Temperature range	NBR: -15°C~80°C (not frozen)		
Port size	G1/8	G1/4	G1/2
Available Voltage	DC12V,DC24V		
Power consumption	DC: 1.2W		
Voltage range	±15%		
Material of body	Aluminum alloy		
Min.excitation time	0.015 s		

5. Overall and Dimension Sheet:

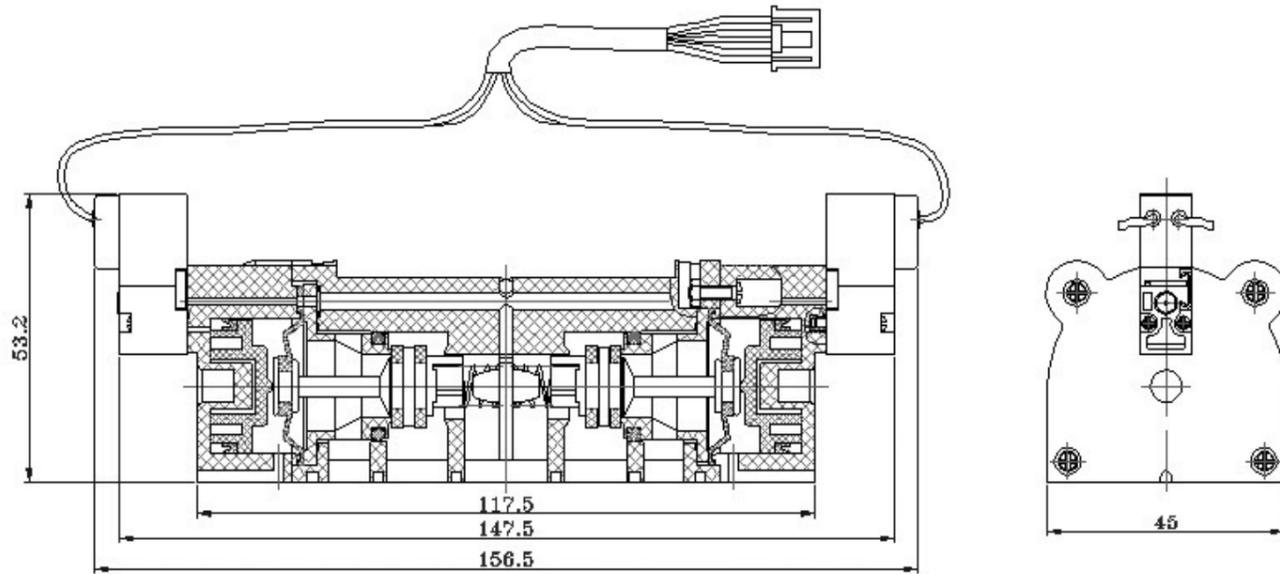
5VMP-06



5VMP-08



5VMP-15D



4M Series 2positions/5ways Plate Type Solenoid Valve

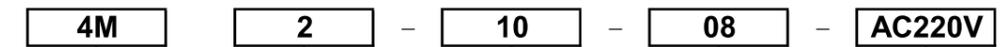


4M220-08

4M310-10

4M320-10

1.Ordering Code :



Solenoid Valve Type

4M: Two positions Five ways plate type solenoid valve

Body size

- 2: 200 series(G1/8,G1/4)
- 3: 300 series(G1/4,G3/8)

Connecting port size

- 10: Single-head (single coil) for two positions
- 20: Double-head (double coils) for two positions

Connecting port size

- 06: G1/8
- 08: G1/4
- M5: M5x0.8
- 10: G3/8
- 15: G1/2

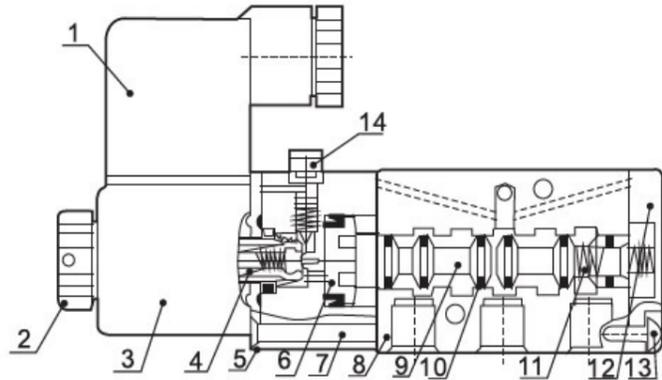
Voltage

- DC5V
- DC12V
- DC24V
- AC24V 50/60Hz
- AC110V 50/60Hz
- AC220V 50/60Hz
- AC380V 50/60Hz

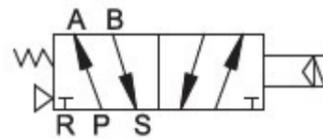
2.Characteristics:

- 1) The protection grade for this series solenoid valve is IP65.
- 2) Different voltages are available for coils.
- 3) Pressure unit: 1kgf/cm²=1bar=0.1MPa=100KPa=14.5psi
- 4) Lead wire type is available, please remind when you order.
- 5) Different thread types can be offered according to customers' requirements, e.g.: PT, NPT etc.

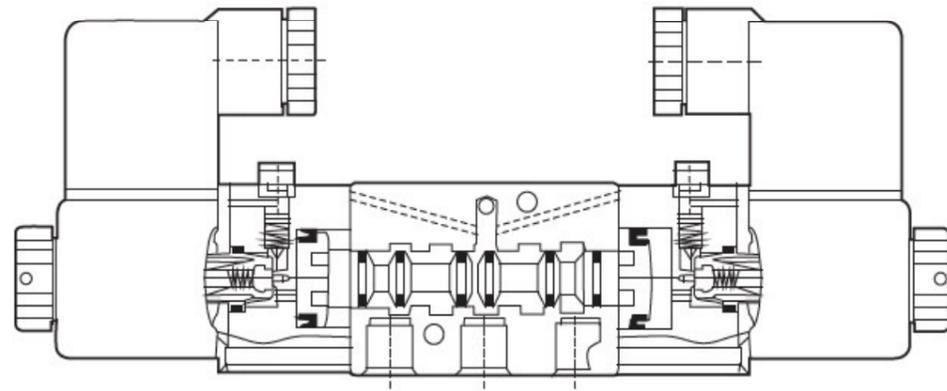
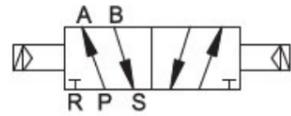
3.Internal Structure:



Single-Head Type
(4M210~4M310)



Double-Head Type
(4M220~4M320)



4.Specification:

Model	4M210-06	4M220-06	4M210-08	4M220-08	4M310-08	4M320-08	4M310-10	4M320-10
Applicable medium	≤40μ Filtered Air							
Motion pattern	Inner guide type							
Working pressure	0.15~0.8 MPa							
Proof Pressure	1.2MPa							
Temperature range	NBR: -10℃~60℃							
Port size	G1/8		G1/4		G1/4		G3/8	
Effective section area (mm ²)	14		16		25		30	
Cv Value	0.78		0.89		1.39		1.67	
Available Voltage	DC5, DC12V,DC24V,AC24V, AC110V,AC220V,AC380V							
Power consumption	AC220V:2W, AC110V:2.5W,AC24V:3.5W,DC24V:3W,DC12V:2.5W							
Voltage range	- 15%~+10%							
Material of body	Aluminum alloy							
Highest action frequency	5 cycles/second							
Shortest excitation time	0.05 s							
Sealing material	NBR or VITON							

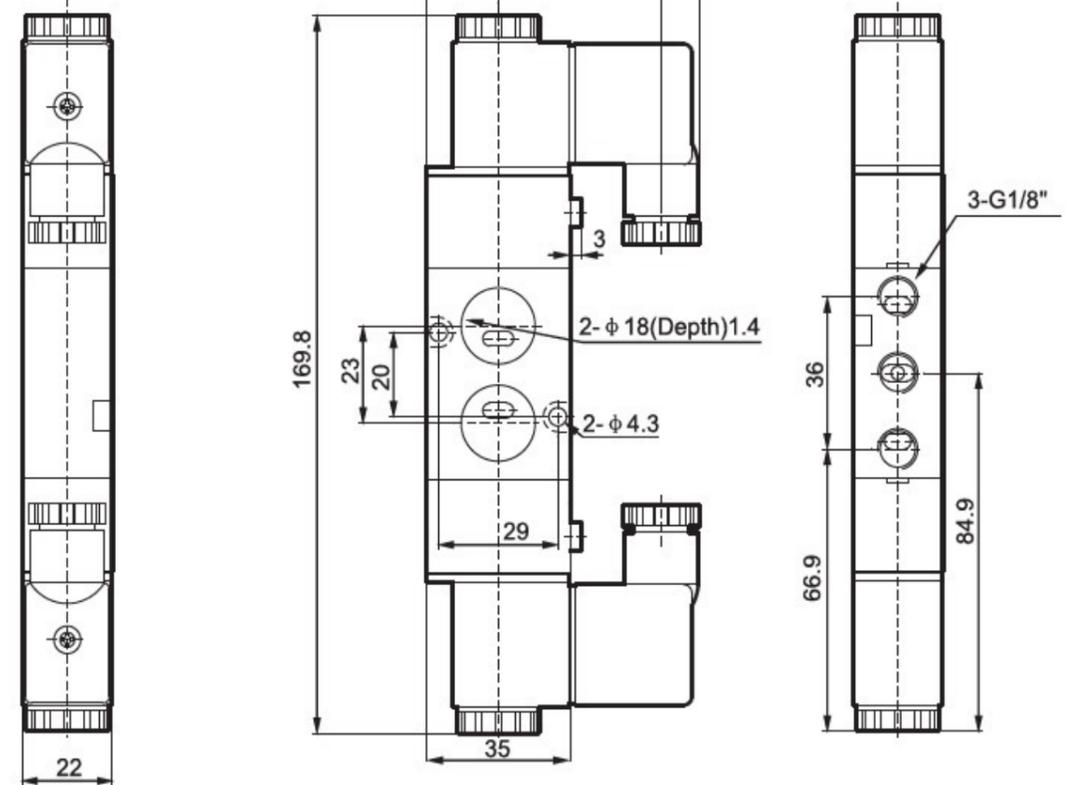
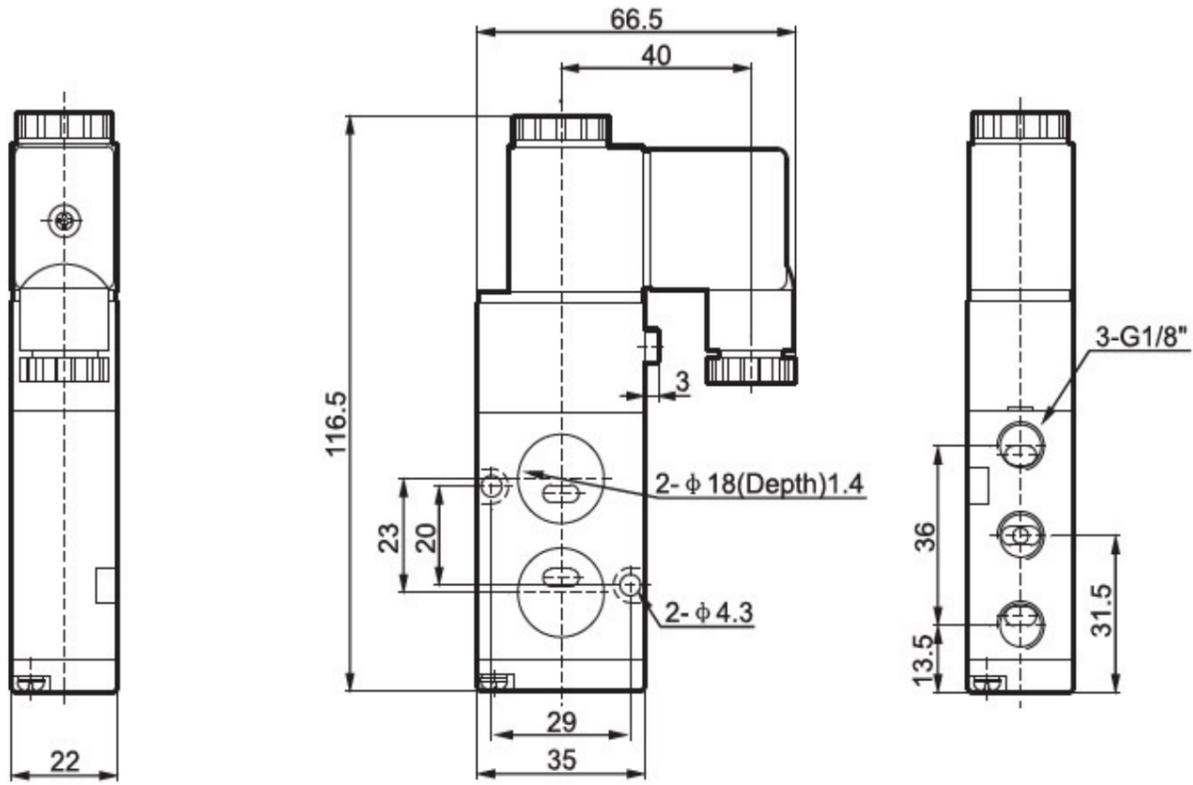
* 1 kgf/cm² = 1 bar = 0.1 Mpa = 100KPa = 14.5psi

No.:	Designation	No.:	Designation	No.:	Designation
1.	Connector	6.	Piston	11.	Spring
2.	Nut	7.	Screw	12.	Rear cover
3.	Coil	8.	Valve body	13.	Screw
4.	Pilot units	9.	Spool	14.	Manual pin
5.	Plate	10.	O ring		

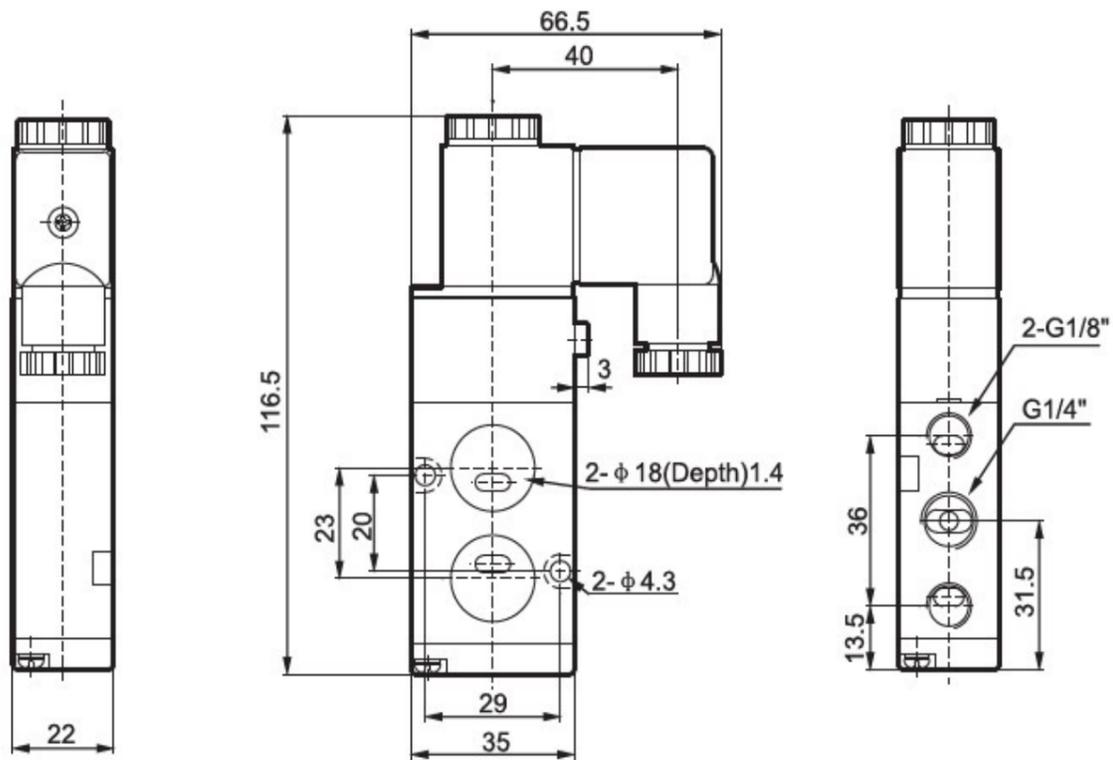
5. Overall and Dimension Sheet:

4M220-06

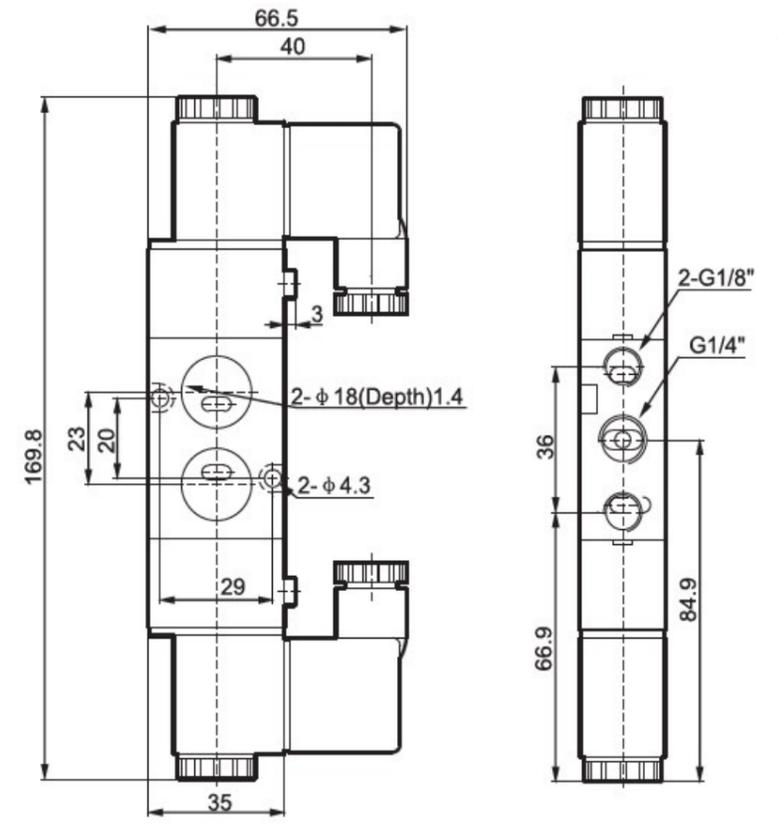
4M210-06



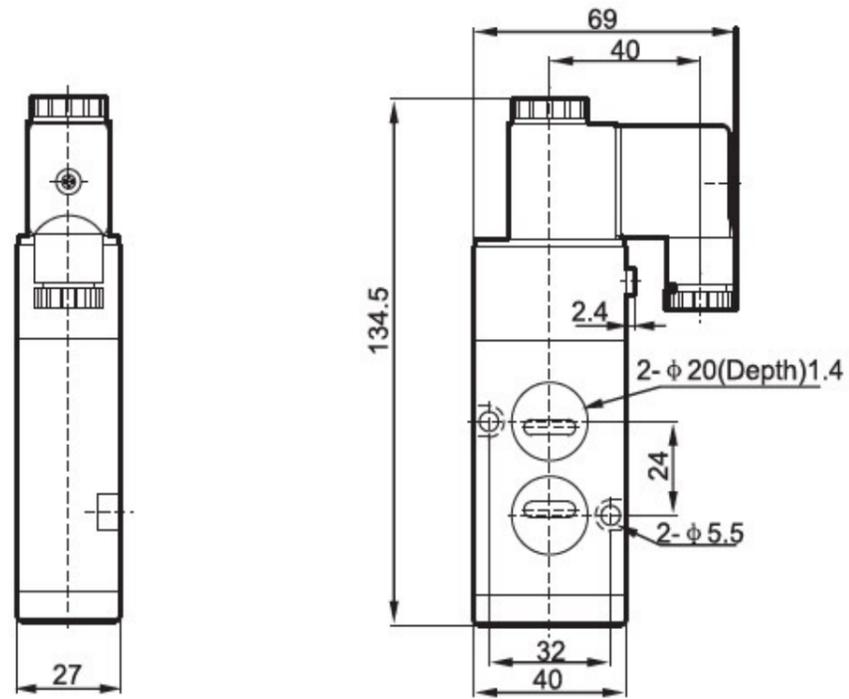
4M210-08



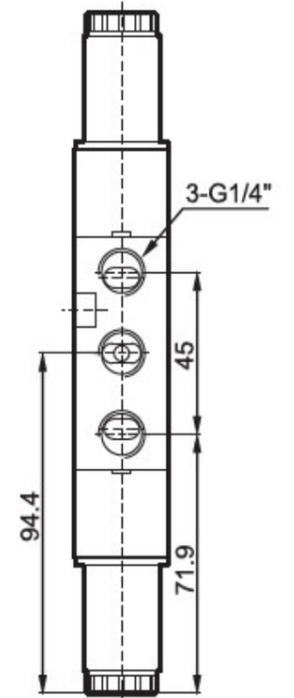
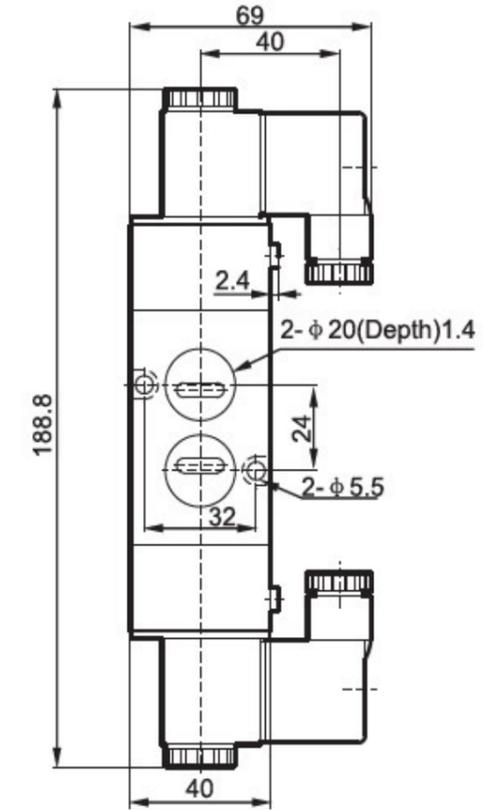
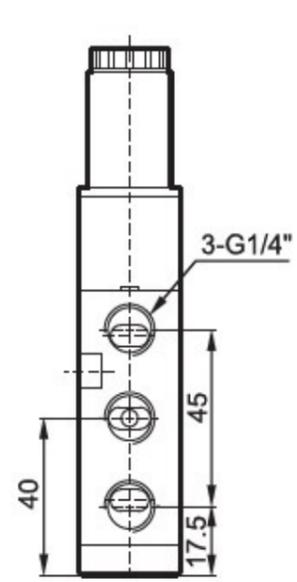
4M220-08



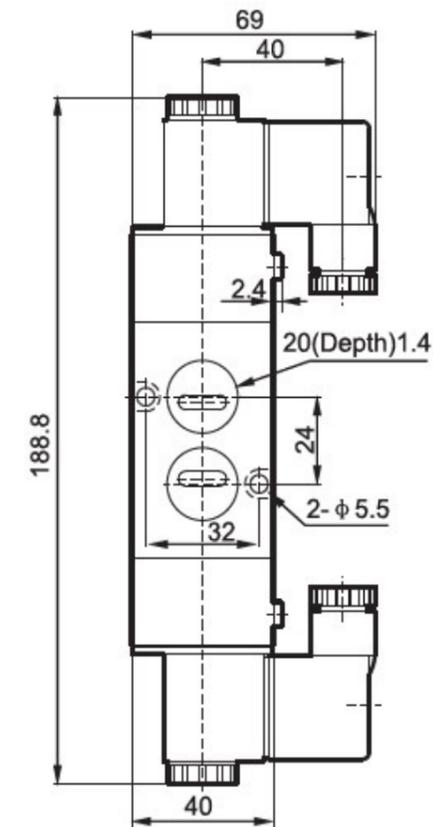
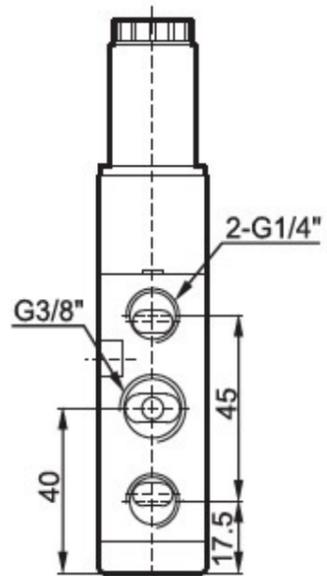
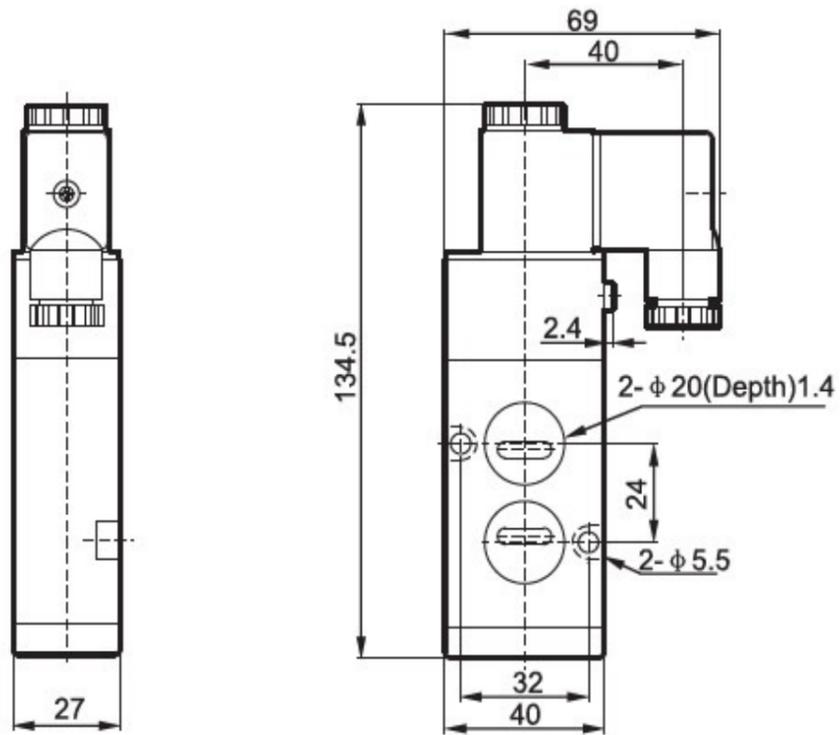
4M310-08



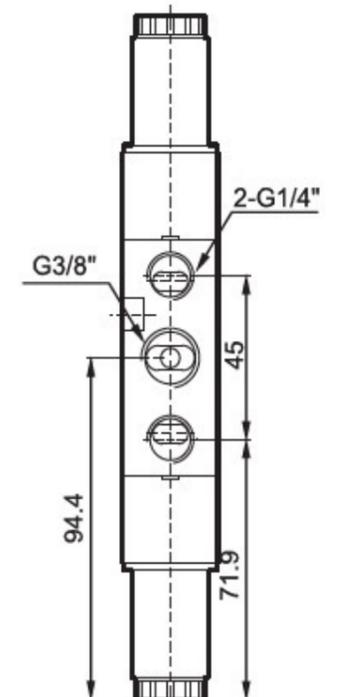
4M320-08



4M310-10



4M320-10



Manifold for 4V,3V,4A,3A series valves



4V200M-5F

1. Ordering Code :



Manifold for solenoid valve

- 4V: for 4V series solenoid valve
- 4A: for 4A series air control valve
- 3V: for 3V series solenoid valve
- 3A: for 3A series air control valve

Size of solenoid valve

- 100M: For 100series solenoid valve
- 200M: For 200series solenoid valve
- 300M: For 300series solenoid valve
- 400M: For 400series solenoid valve

Quantity of rows

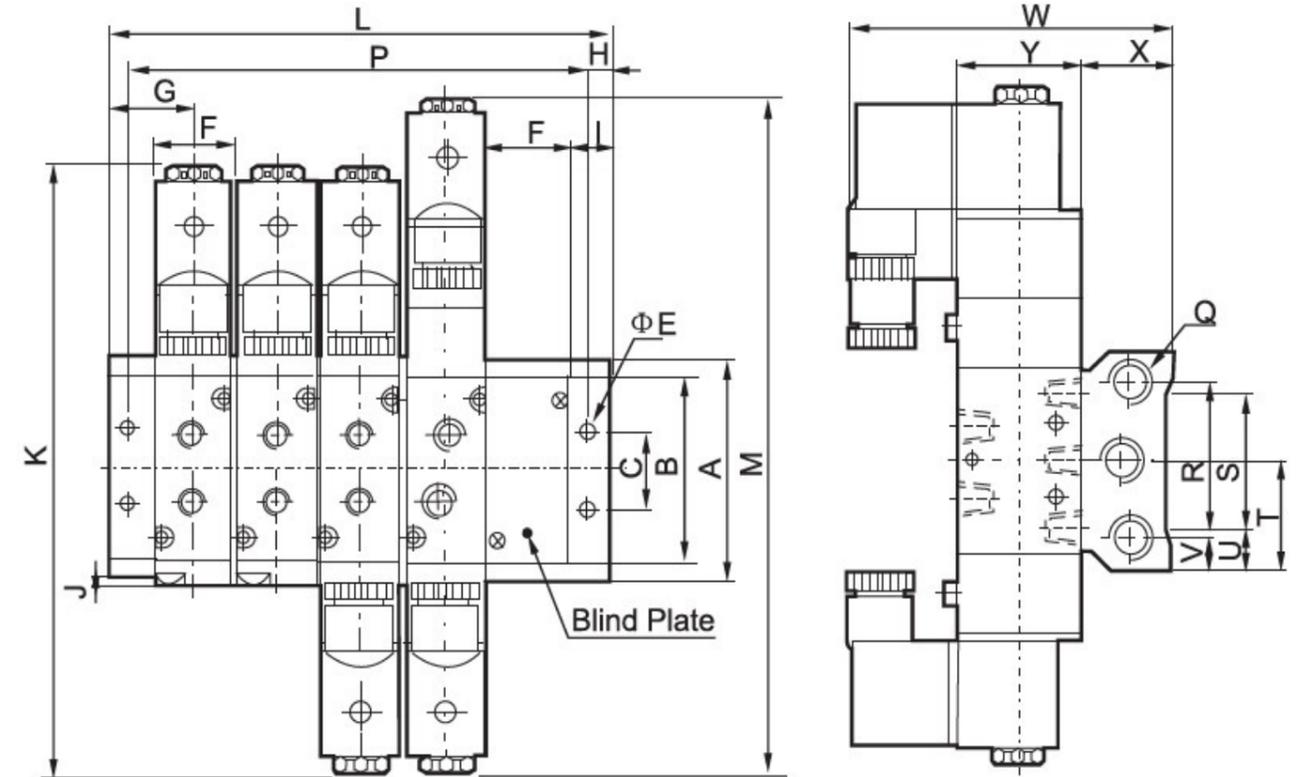
- 2F: 2rows 5F: 2rows 8F: 2rows
- 3F: 2rows 6F: 2rows 9F: 2rows
- 4F: 2rows 7F: 2rows 10F: 2rows
- ...

2.Characteristics:

- 1) A manifold helps to come together with multiple solenoid valves or air valves efficiently.
- 2) The number of rows can be ordered by customer's need.
- 3) Pressure unit: 1kgf/cm²=1bar=0.1MPa=100KPa=14.5psi
- 4) Different thread types can be offered according to customers' requirements, e.g.: PT, NPT etc.

3. Overall and Dimension Sheet:

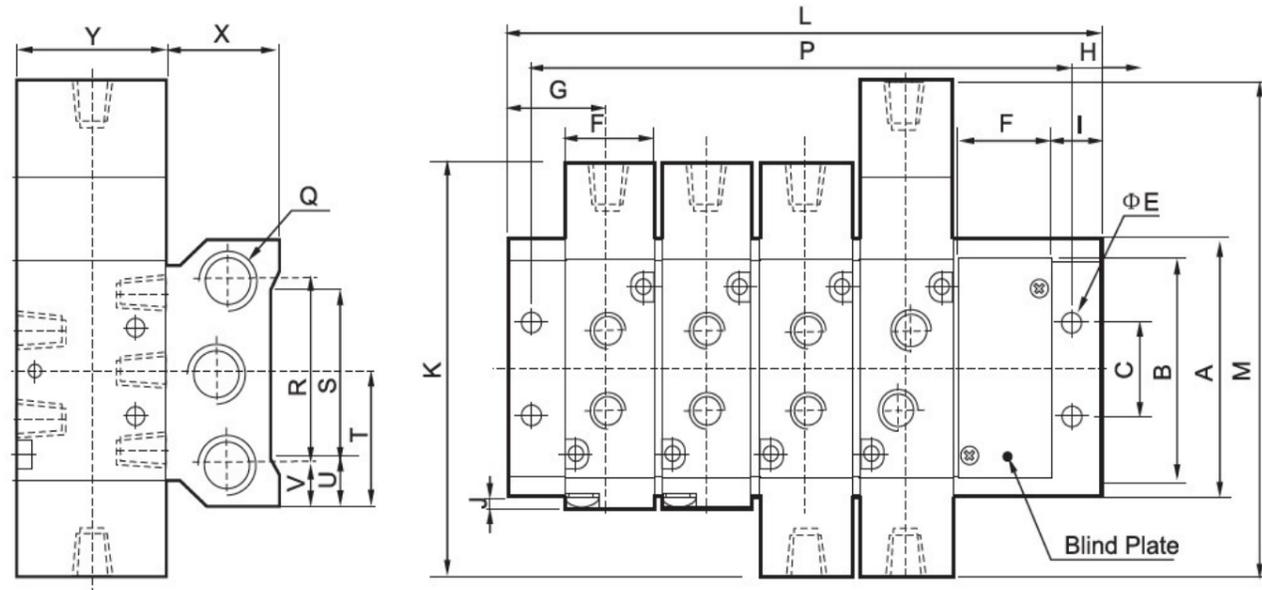
4V Series



Model	A	B	C	E	F	G	H	I	J	K	L															
											1F	2F	3F	4F	5F	6F	7F	8F	9F	10F	11F	12F	13F	14F	15F	16F
100M-□F	58	43.2	20	4.5	18.3	19	5	10	0.8	81	38	57	76	95	114	133	152	171	190	209	228	247	266	285	304	323
200M-□F	61	50.7	21	4.5	22.4	23	6	12	1.2	92	46	69	92	115	138	161	184	207	230	253	276	299	322	345	368	391
300M-□F	75	64.8	26	4.5	27.3	27	6	13.5	2.5	111	54	82	110	138	166	194	22	250	278	306	334	362	-	-	-	-
400M-□F	104	94.5	32	5.5	34.3	31.5	7	14.5	5	142	71	98	133	168	203	238	273	-	-	-	-	-	-	-	-	-

Model	M	P																Q	R	S	T	U	V	X	Y
		1F	2F	3F	4F	5F	6F	7F	8F	9F	10F	11F	12F	13F	14F	15F	16F								
100M-□F	96	28	47	66	85	104	123	142	161	180	199	218	237	256	275	294	313	G1/4"	40	30	29	14	9	25	27
200M-□F	111	34	57	80	103	126	149	172	195	218	241	264	287	310	333	356	379	G1/4"	43	32	30.5	14.5	9	26	35
300M-□F	130	42	70	98	126	154	182	210	238	266	294	322	350	-	-	-	-	G3/8"	53	48	37.5	13.5	11	30	40
400M-□F	163	49	84	119	154	189	224	259	-	-	-	-	-	-	-	-	-	G1/2"	68	67	52	18.5	18	38	50

4A Series



Model	A	B	C	E	F	G	H	I	J	K	L															
											1F	2F	3F	4F	5F	6F	7F	8F	9F	10F	11F	12F	13F	14F	15F	16F
100M-□F	58	43.2	20	4.5	18.3	19	5	10	0.8	139.4	38	57	76	95	114	133	152	171	190	209	228	247	266	285	304	323
200M-□F	61	50.7	21	4.5	22.4	23	6	12	1.2	170	46	69	92	115	138	161	184	207	230	253	276	299	322	345	368	391
300M-□F	75	64.8	26	4.5	27.3	27	6	13.5	2.5	188.8	54	82	110	138	166	194	22	250	278	306	334	362	-	-	-	-
400M-□F	104	94.5	32	5.5	34.3	31.5	7	14.5	5	221.8	63	98	133	168	203	238	273	-	-	-	-	-	-	-	-	-

Model	M	P																Q	R	S	T	U	V	W	X	Y
		1F	2F	3F	4F	5F	6F	7F	8F	9F	10F	11F	12F	13F	14F	15F	16F									
100M-□F	154.5	28	47	66	85	104	123	142	161	180	199	218	237	256	275	294	313	G1/4"	40	30	29	14	9	79	25	27
200M-□F	189	34	57	80	103	126	149	172	195	218	241	264	287	310	333	356	379	G1/4"	43	32	30.5	14.5	9	93	26	35
300M-□F	208	42	70	98	126	154	182	210	238	266	294	322	350	-	-	-	-	G3/8"	53	48	37.5	13.5	11	99.5	30	40
400M-□F	243	49	84	119	154	189	224	259	-	-	-	-	-	-	-	-	-	G1/2"	68	67	52	18.5	18	112.5	38	50