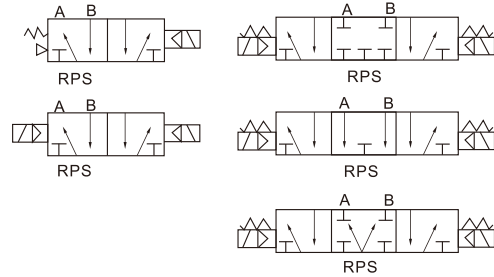


Solenoid valve VF series



VF3230-4GB-02

Symbol:



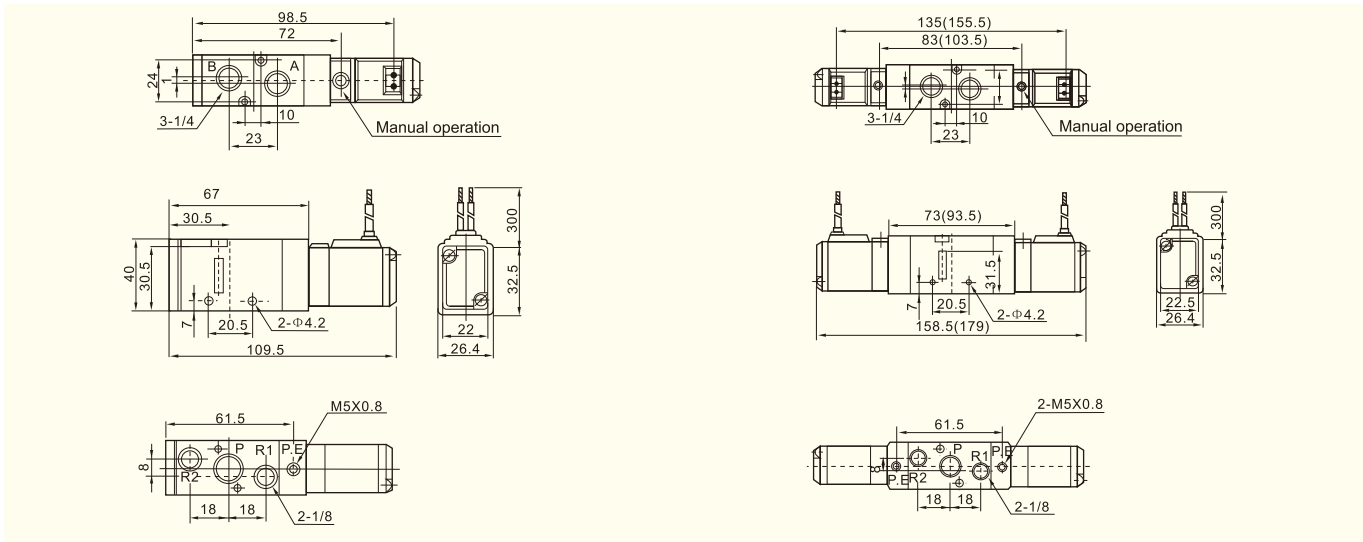
How to order

VF3	130	4	G	B	02
Series code	130:2/5 way single electrical control 230:2/5 way double electrical control 330:3/5 way(midst closed type)double electrical control 430:3/5 way(midst exhaust type)double electrical control 530:3/5 way(midst pressure type)double electrical control	Voltage 3:110VAC 4:220VAC 5:24VDC 6:12VDC	Wiring type G:lead wire type D:DIN wiring box type	Manual operation	Port size 02: 1/4 "

Specification

Model	VF3130-02	VF3230-02	VF3330-02	VF3430-02	VF3530-02
Fluid	Air(filtered through 40 μ filter element)				
Action	Internally piloted acting type				
Valve type	2/5 Way		3/5 Way		
Effective area(mm ²)	24(CV=6.4)	24(CV=6.4)	18(CV=4.7)	14(CV=3.7)	8.4(CV=4.8)
Port size					
Lubrication	Not required				
Operating pressure	1.5~8.0kgf/cm ²				
Proof pressure	10.5kgf/cm ²				
Ambient & fluid temperature	5~60℃				
Voltage range	±10%				
Power consumption	AC:4.5W DC:3.0W				
Insulation grade	F grade				
Protection	IP65(DIN 40050)				
Connection	Lead wire type or terminal type				
Max.frequency	5 cycle/sec.				
Min.response time	0.05 sec.				
Weight (kg)	0.21	0.29	0.42	0.42	0.42
Main parts material	Body	Aluminum alloy			
	Seal	NBR			

Dimension

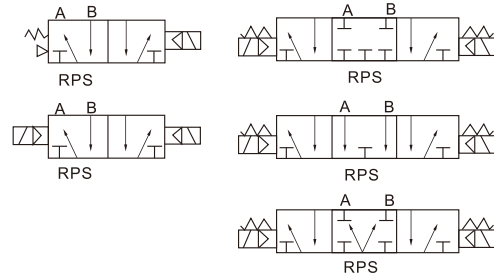




VF5120-4GB-03

Solenoid valve VF series

Symbol:



How to order

VF5	120	4	G	B	-	03
Series code	120:2/5 way single electrically control 220:2/5 way double electrically control 320:3/5 way (midst closed type) double electrically control 420:3/5 way (midst exhaust type) double electrically control 520:3/5 way (midst pressure type) double electrically control	Voltage 3:110VAC 4:220VAC 5:24VDC 6:12VDC	Wiring type G:lead wire type D:DIN wiring box type	Manual operation		Port size 03: 3/8"

Specification

Model	VF5120-02	VF5220-02	VF3330-02	VF54200-02	VF5520-02
Fluid	Air (filtered through 40 μ filter element)				
Action	Internally piloted acting type				
Valve type	2/5 Way			3/5 Way	
Effective area (mm ²)	49 (CV=11)	49 (CV=11)	30 (CV=7.3)	26 (CV=4.9)	23 (CV=6.6)
Port size					
Lubrication	Not required				
Operating pressure	1.5~8.0 kgf/cm ²				
Proof pressure	10.5 kg/cm ²				
Ambient & fluid temperature	5~60°C				
Voltage range	±10%				
Power consumption	AC:4.5W DC:3.0W				
Insulation grade	F grade				
Protection	IP65 (DIN 40050)				
Connection	Lead wire type or terminal type				
Max. frequency	5 cycle/sec.				
Min. response time	0.05 sec.				
Weight (kg)					
Main parts material	Body	Aluminum alloy			
	Seal	NBR			

Dimension

