

precise regulator IR1000/IR2000 series



How to order

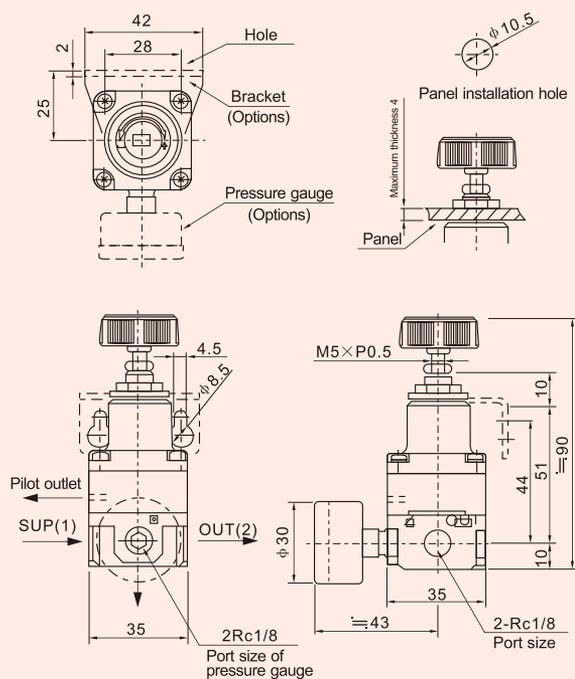
IR	2	0	00	-	<input type="checkbox"/>	02	<input type="checkbox"/>
Series	Size of regulator body 1: IR1000 2: IR2000	Set model 0: Basic type (hand wheel) 1: Air Control Type	Set pressure range 0: 0.005~0.2Mpa 1: 0.01~0.4Mpa 2: 0.01~0.8Mpa	Screw Type Blank: RC N*: NPT N*: G	Note: The pre-standard products.	Port size 01: 1/8" 02: 1/4"	Optional accessories Blank: None B: with bracket G: with pressure gauge

Specification

Model	IR1000-01	IR1010-01	IR1020-01	IR2000-02	IR2010-02	IR2020-02	IR3000-□	IR3010-□	IR3020-□	IR2120-02	IR3120-□
Minimum Operating Pressure	Set pressure+0.05Mpa						Set pressure+0.1Mpa			Set pressure+0.05Mpa	Set pressure+0.1Mpa
Pressure range(MPa)	0.005~0.2	0.01~0.4	0.01~0.8	0.005~0.2	0.01~0.4	0.01~0.8	0.01~0.2	0.01~0.4	0.01~0.8		
Port size RC (PT)	1/8"			1/4"			3/8", 1/2"				
Model of Pressure Gauge	G33-2-01	G33-4-01	G33-10-01	G33-2-01	G43-4-01	G43-10-01	G43-2-01	G43-4-01	G43-10-01		
Type of bracket	P36201023			P36202028			P36203018			P36202028	P36203018
Sensitivity	Less than 0.2% full scale										
Repeatability accuracy	Less than ±0.5% full scale										
Air consumption	IR10□0	Maximum 3.5 e / min (ANR) under pressure at 1.0Mpa									
	IR20□0	Maximum 3.1 e / min (ANR) under pressure at 1.0Mpa									
	IR2120	Maximum 3.1 e / min (ANR) under pressure at 1.0Mpa									
	IR30□0	Exhaust port: Maximum 9.5 e / min (ANR) under pressure at 1.0Mpa									
	IR3120	Air exhaust port: Maximum 2 e / min (ANR) under pressure at 1.0Mpa									
Ambient & fluid temperature	-5~+60℃ (Not frozen)										
Max. operating pressure	1.0Mpa										

Dimension

IR10□0-01



IR20□0-02

