

AFC,BFC Series FR.L Combination



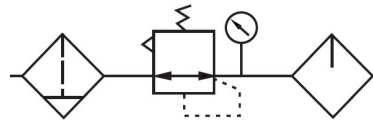
AFC2000



BFC3000

1.Ordering Code :

AFC	2000	-	<input type="checkbox"/>
↑	↑		↑
Model	Body size		Blank: Manual
AFC: Small size	1500: G1/8		D:With Autodrain
BFC: Middle size	2000: G1/4		
	3000: G3/8		
	4000: G1/2		



Graphic Symbol

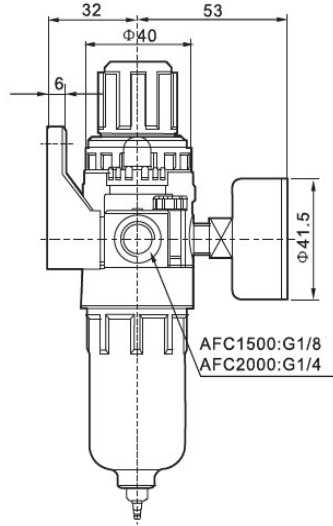
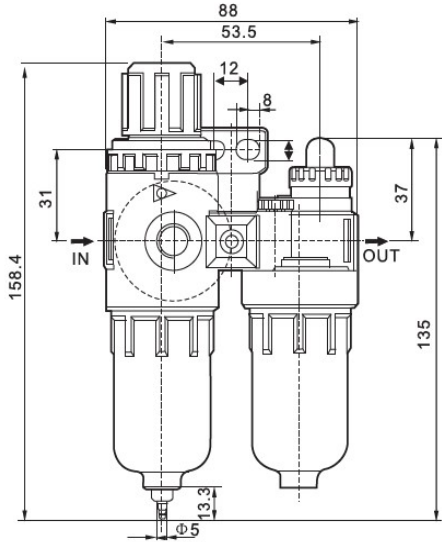
2.Characteristics:

- 1) The AFC series is consisted of AFR and AL , each unit can be ordered separately.
- 2) The BFC series is consisted of BFR and BL , each unit can be ordered separately.
- 3) AFC, BFC series FR.L combination conforms to AirTac standard.
- 4) The AFR,BFR with water separate cleans the compressed air of fluid oil,condensation and dirt particles. and maintain inputting constant operating pressure despite fluctuation in line pressure.
- 5) The AL,BL proportional lubricator adds a regulated quantity of oil to the filtered air.
- 6) Different thread type can be offered according to customers' requirements, e.g.: PT, NPT etc.

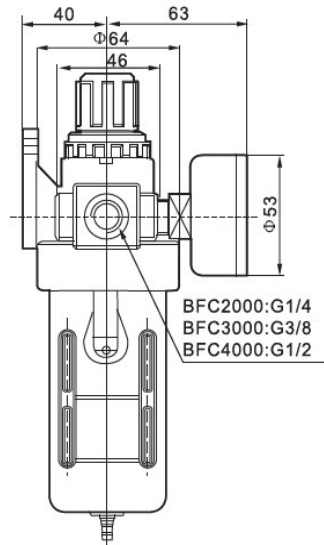
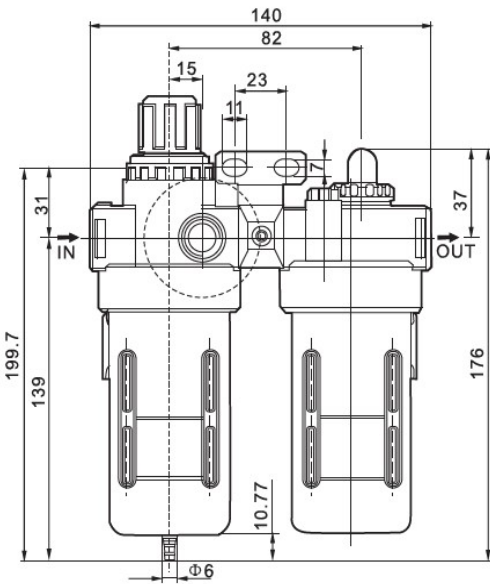
3.Specification:

Model	AFC1500	AFC2000	BFC2000	BFC3000	BFC4000
Port size	G1/8	G1/4	G1/4	G3/8	G1/2
Applicable medium	Compressed Air				
Grade of filtration	40μm				
Working pressure range	0.05~0.85 MPa				
Proof pressure	1.5MPa				
Temperature range	5°C~60°C				
Capacity of Filter Cup	15ml		60ml		
Capacity of oil feed cup	25ml		90ml		
Recommended oil use	ISO VG32 or the same grade oil				
Ccontainer Material	Polycarbonate				
Protective cover	Not available		Available		

4. Overall and Dimension Sheet:



AFC1500~AFC2000



BFC2000~BFC4000